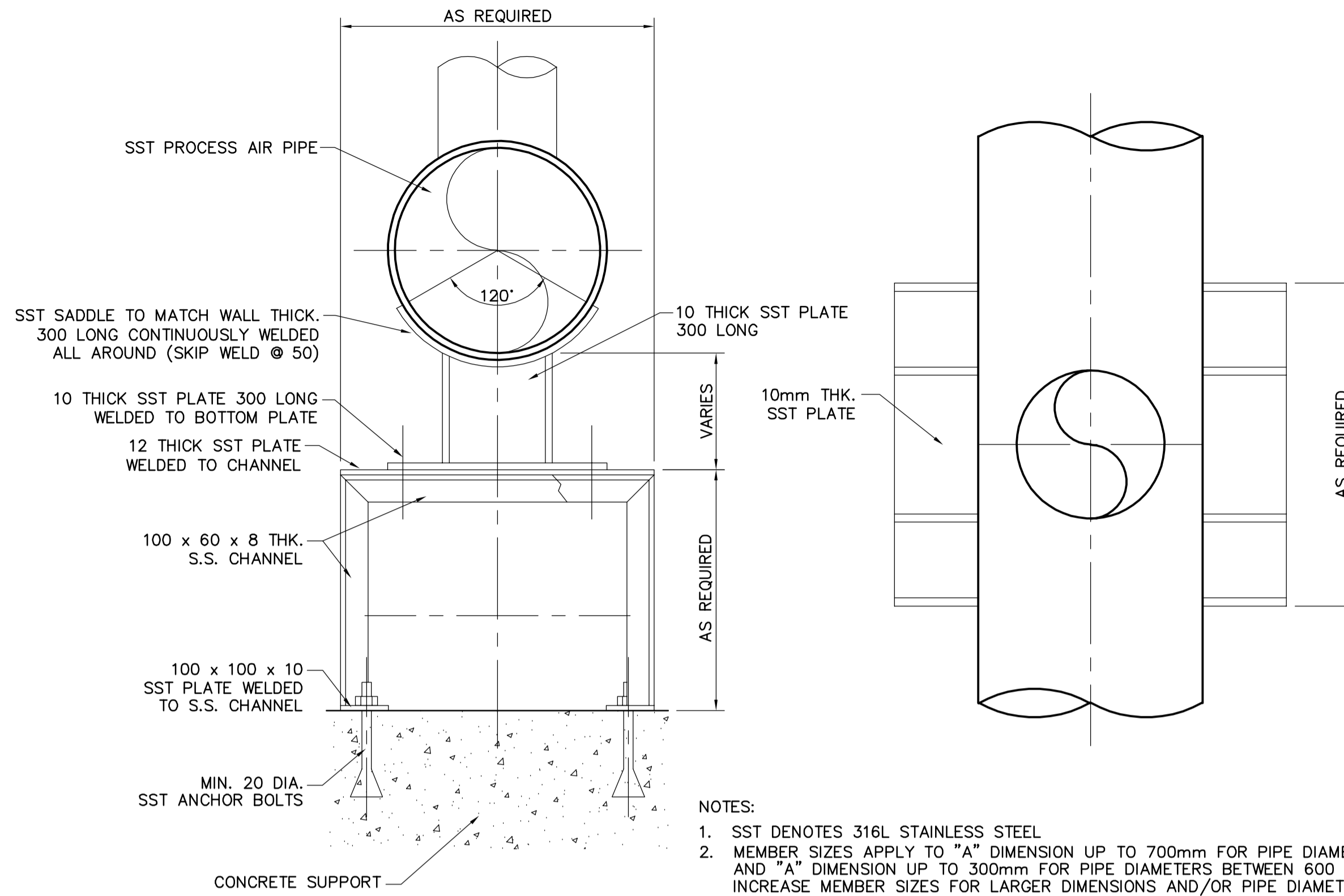


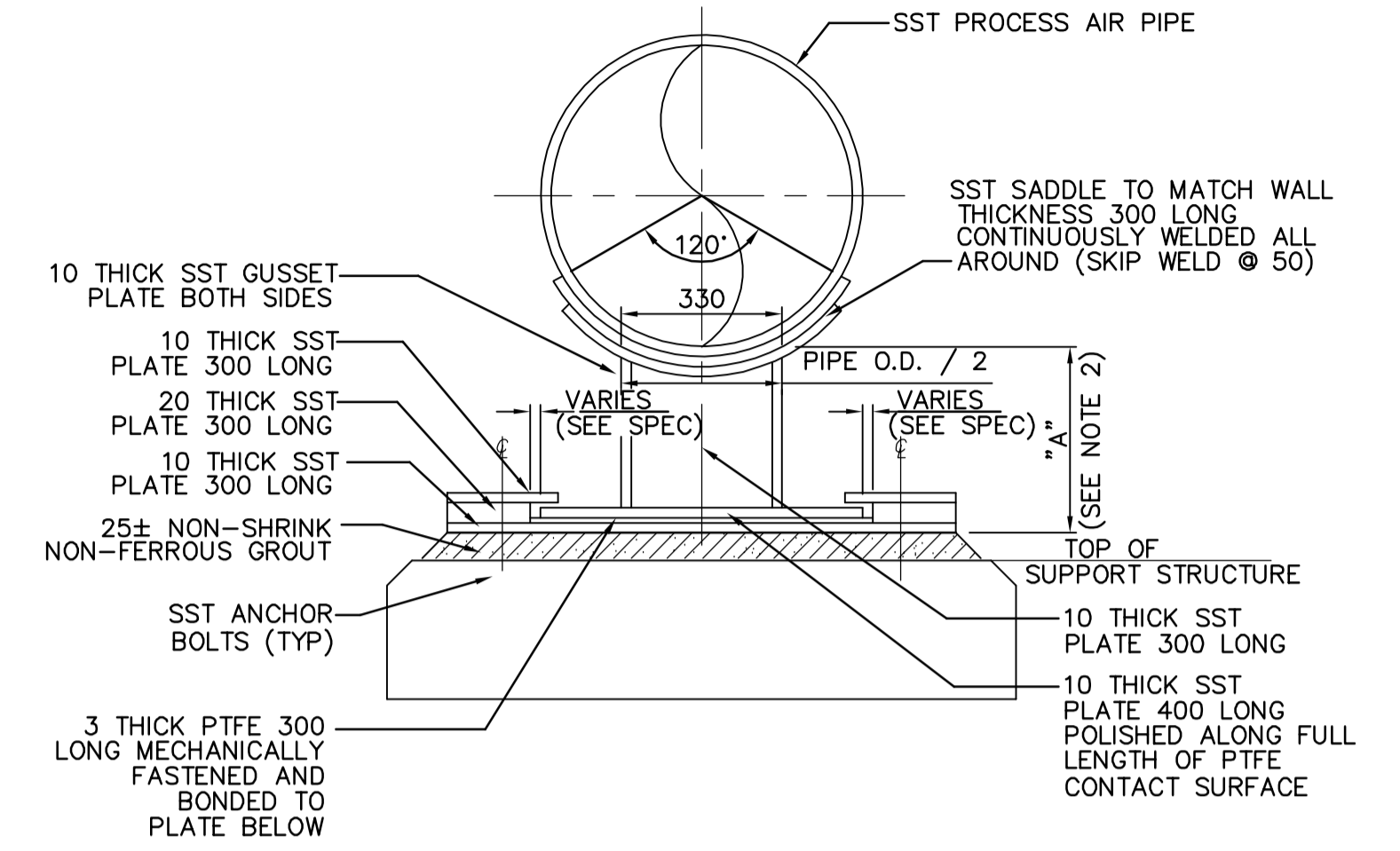
- NOTES:
1. SST DENOTES 316L STAINLESS STEEL
 2. MEMBER SIZES APPLY TO "A" DIMENSION UP TO 700mm FOR PIPE DIAMETERS TO 600mm, AND "A" DIMENSION UP TO 300mm FOR PIPE DIAMETERS BETWEEN 600 AND 1050mm. INCREASE MEMBER SIZES FOR LARGER DIMENSIONS AND/OR PIPE DIAMETERS
 3. SEE SPEC 15060 FOR DETAILS AND SPACING.

1 PROCESS AIR PIPE ANCHOR TYPE A1

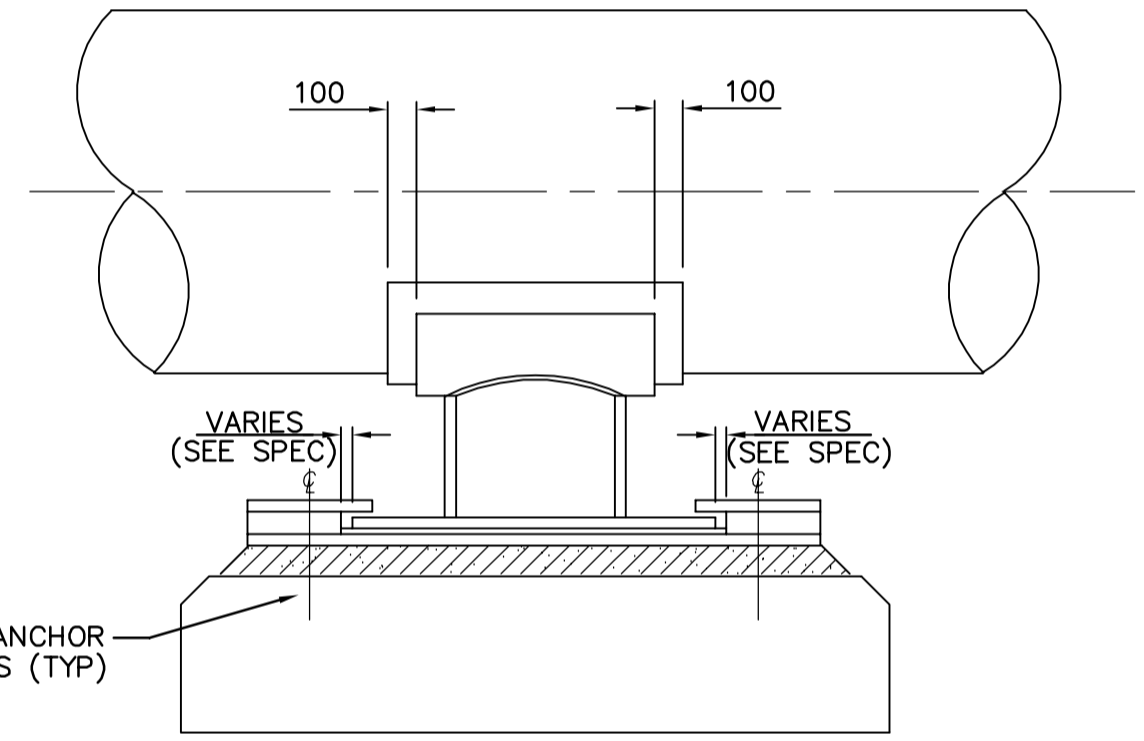


- NOTES:
1. SST DENOTES 316L STAINLESS STEEL
 2. MEMBER SIZES APPLY TO "A" DIMENSION UP TO 700mm FOR PIPE DIAMETERS TO 600mm, AND "A" DIMENSION UP TO 300mm FOR PIPE DIAMETERS BETWEEN 600 AND 1050mm. INCREASE MEMBER SIZES FOR LARGER DIMENSIONS AND/OR PIPE DIAMETERS
 3. SEE SPEC 15060 FOR DETAILS AND SPACING.

2 PROCESS AIR PIPE ANCHOR TYPE A2

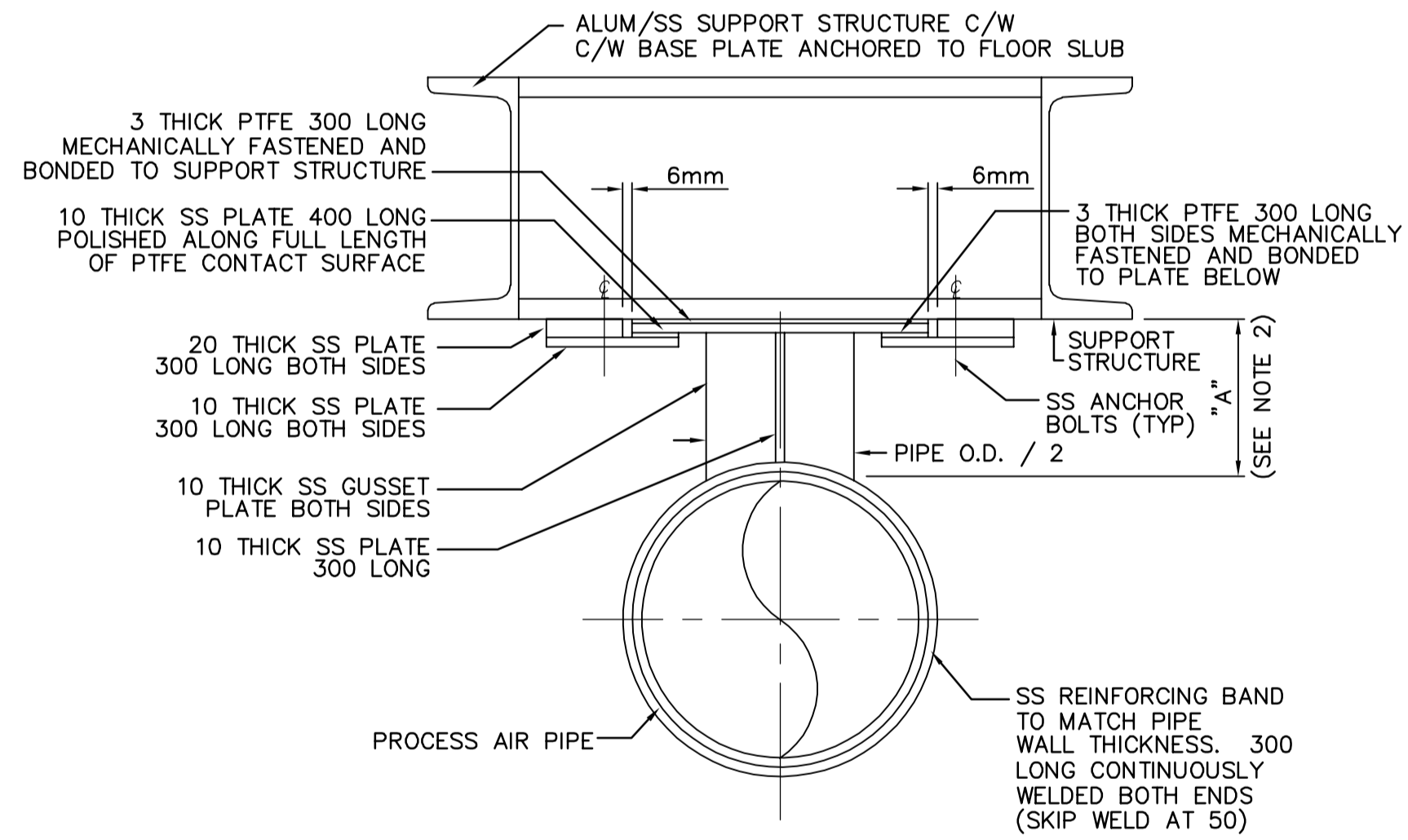


- NOTES:
1. SST DENOTES 316L STAINLESS STEEL
 2. MEMBER SIZES APPLY TO "A" DIMENSION UP TO 700mm FOR PIPE DIAMETERS TO 600mm, AND "A" DIMENSION UP TO 300mm FOR PIPE DIAMETERS BETWEEN 600 AND 1050mm. INCREASE MEMBER SIZES FOR LARGER DIMENSIONS AND/OR PIPE DIAMETERS
 3. SEE SPEC 15060 FOR DETAILS AND SPACING.



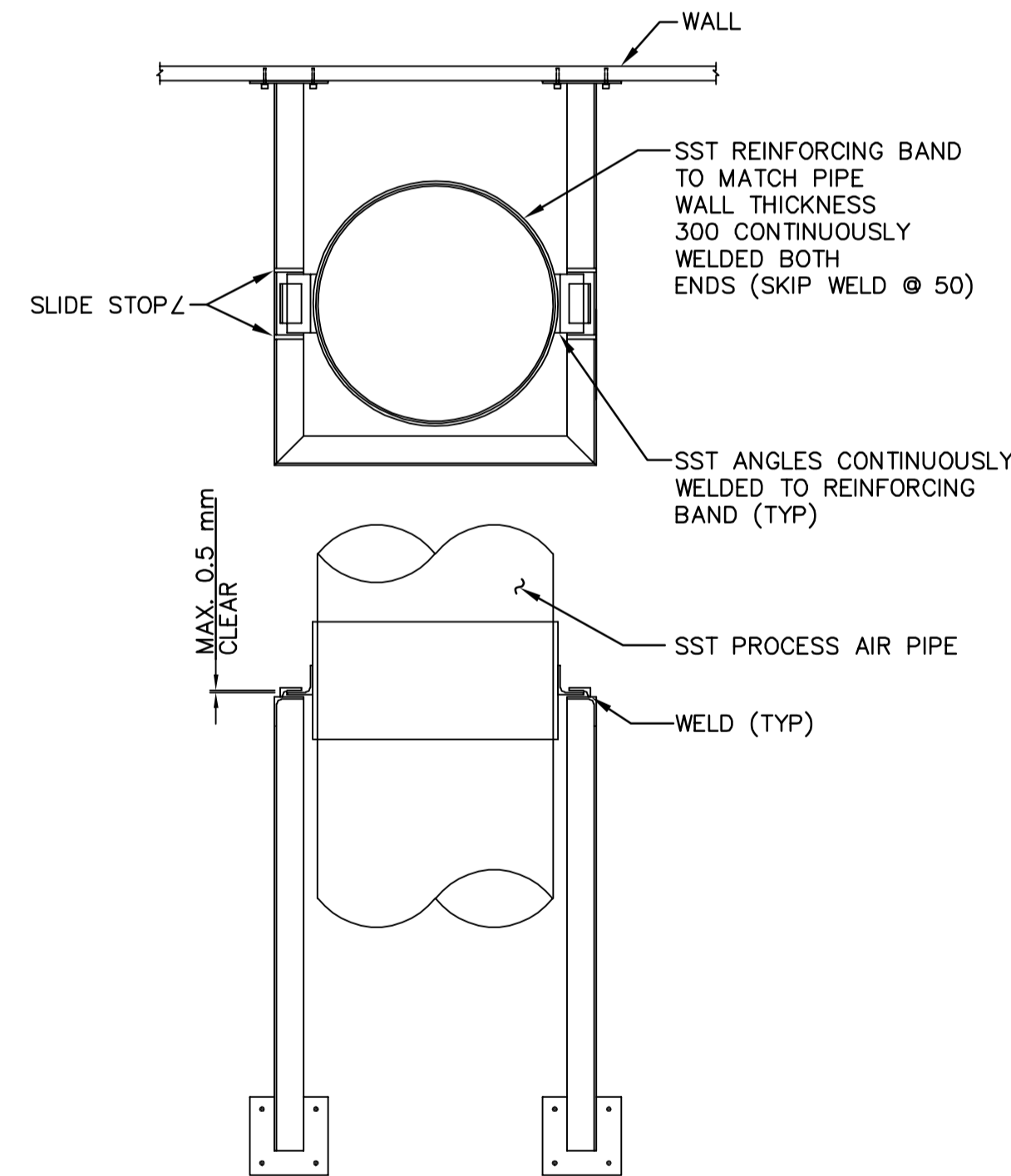
- NOTES:
1. SST DENOTES 316L STAINLESS STEEL
 2. MEMBER SIZES APPLY TO "A" DIMENSION UP TO 700mm FOR PIPE DIAMETERS TO 600mm, AND "A" DIMENSION UP TO 300mm FOR PIPE DIAMETERS BETWEEN 600 AND 1050mm. INCREASE MEMBER SIZES FOR LARGER DIMENSIONS AND/OR PIPE DIAMETERS
 3. SEE SPEC 15060 FOR DETAILS AND SPACING.

3 PROCESS AIR PIPE ANCHOR TYPE A3
REQUIRING LATERAL OR AXIAL MOVEMENT

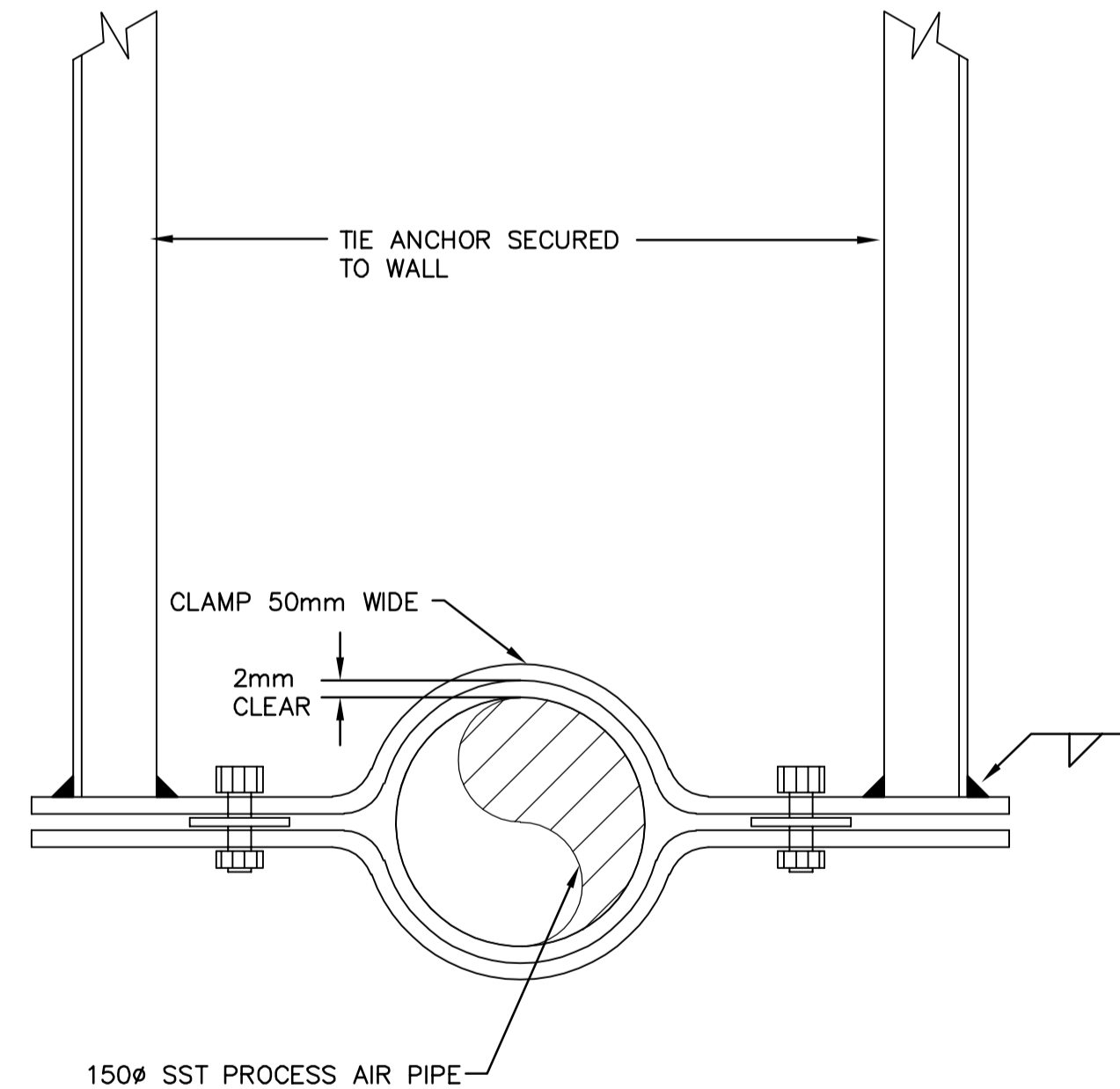


- NOTES:
1. SST DENOTES 316L STAINLESS STEEL
 2. MEMBER SIZES APPLY TO "A" DIMENSION UP TO 700mm FOR PIPE DIAMETERS TO 600mm, AND "A" DIMENSION UP TO 300mm FOR PIPE DIAMETERS BETWEEN 600 AND 1050mm. INCREASE MEMBER SIZES FOR LARGER DIMENSIONS AND/OR PIPE DIAMETERS
 3. SEE SPEC 15060 FOR DETAILS AND SPACING.

4 PROCESS AIR PIPE GUIDE



5 PROCESS AIR SLIDE ANCHOR



6 PROCESS AIR TIE ANCHOR

APECA
Certificate of Authorization
CH2M HILL Canada Ltd.
No. 1441 Expiry: April 30, 2006

| NO. | REVISIONS | DATE | BY |
|-----|-------------------|----------|----|
| 00 | ISSUED FOR TENDER | 06/03/29 | TB |
| | | | |
| | | | |

| DESIGNED BY | CHECKED BY |
|-------------|-------------------------------|
| TB | LS |
| DRAWN BY | APPROVED BY |
| P SINGH | AHL |
| SCALE: | RELEASED FOR CONSTRUCTION BY: |
| NTS | R. SOROKOWSKI |
| | |
| | |

| ENGINEER'S SEAL |
|--|
| ORIGINAL SIGNED BY P. WOBMA 2006/03/29 |
| CONSULTANT DRAWING NO. WB-M0461 |

| THE CITY OF WINNIPEG WATER AND WASTE DEPARTMENT ENGINEERING DIVISION | |
|--|--|
| WATER TREATMENT PLANT MAIN BUILDING MECHANICAL AND ELECTRICAL | CITY FILE NUMBER |
| PROCESS MECHANICAL | SHEET OF |
| STANDARD DETAILS | CITY DRAWING NUMBER 1-0601B-A-M0461-001-000 |