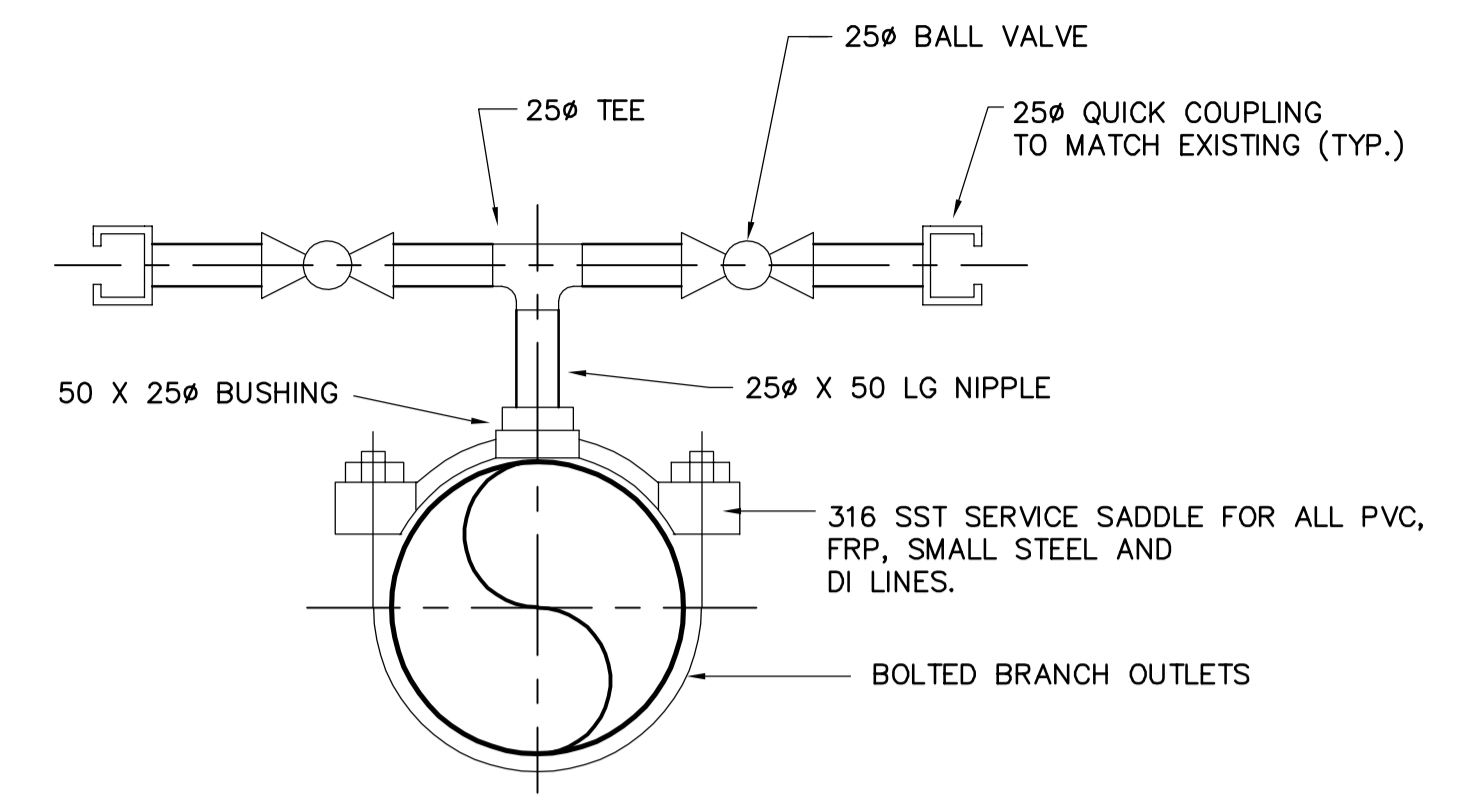


**FLUSHING CONNECTION "WELDED"**

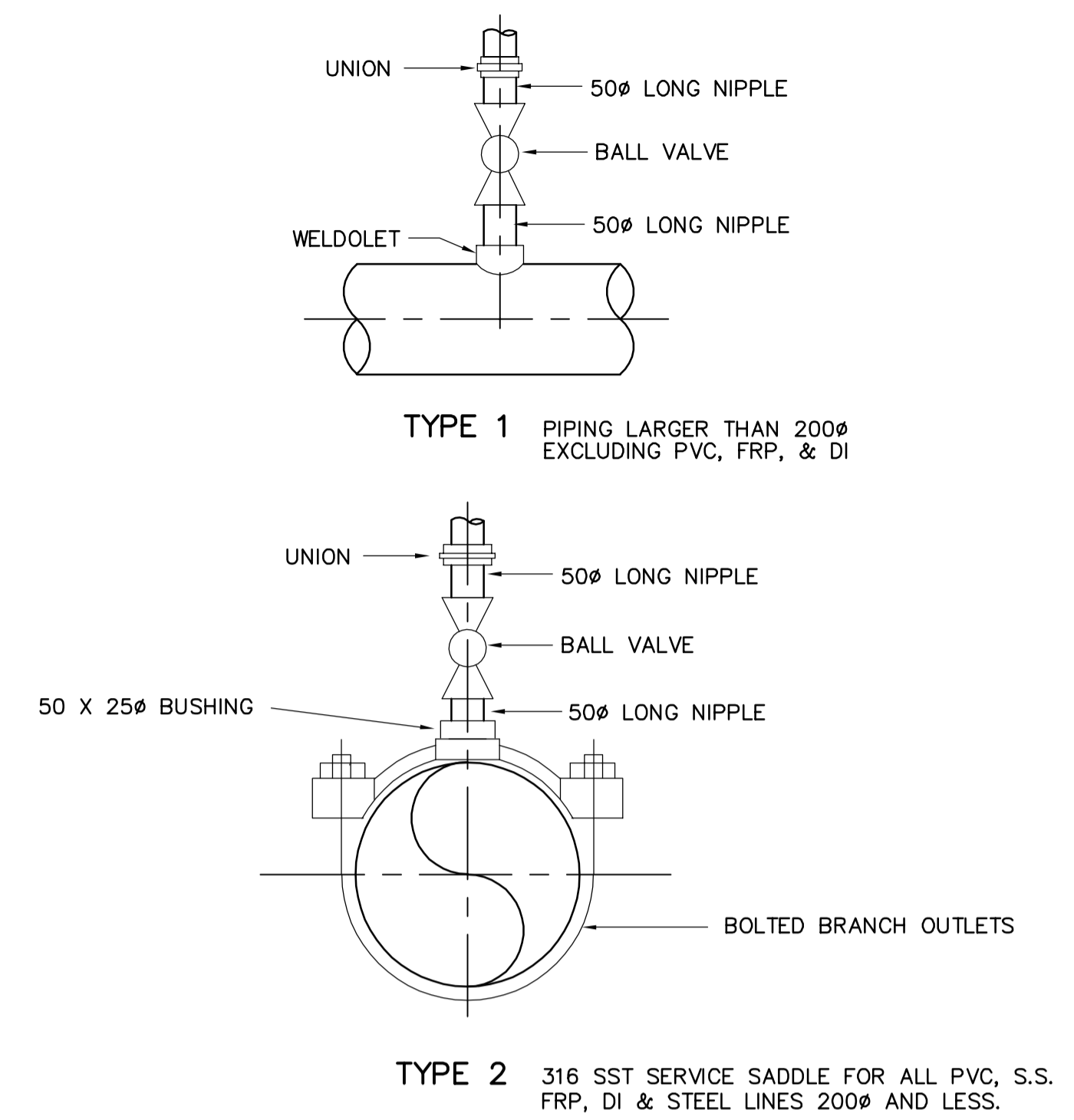
**FLUSHING CONNECTION "VICTAULIC"**

**1 TYPE 1 FLUSHING CONNECTIONS**



- NOTES:**
1. FOR STEEL LINES GREATER THAN 200Ø, USE 50 SOCKOLET. LINE PIPE AFTER INSTALLATION.
  2. FOR DI LINES GREATER THAN 200Ø, THREAD PIPE FOR A 50Ø CONNECTION.

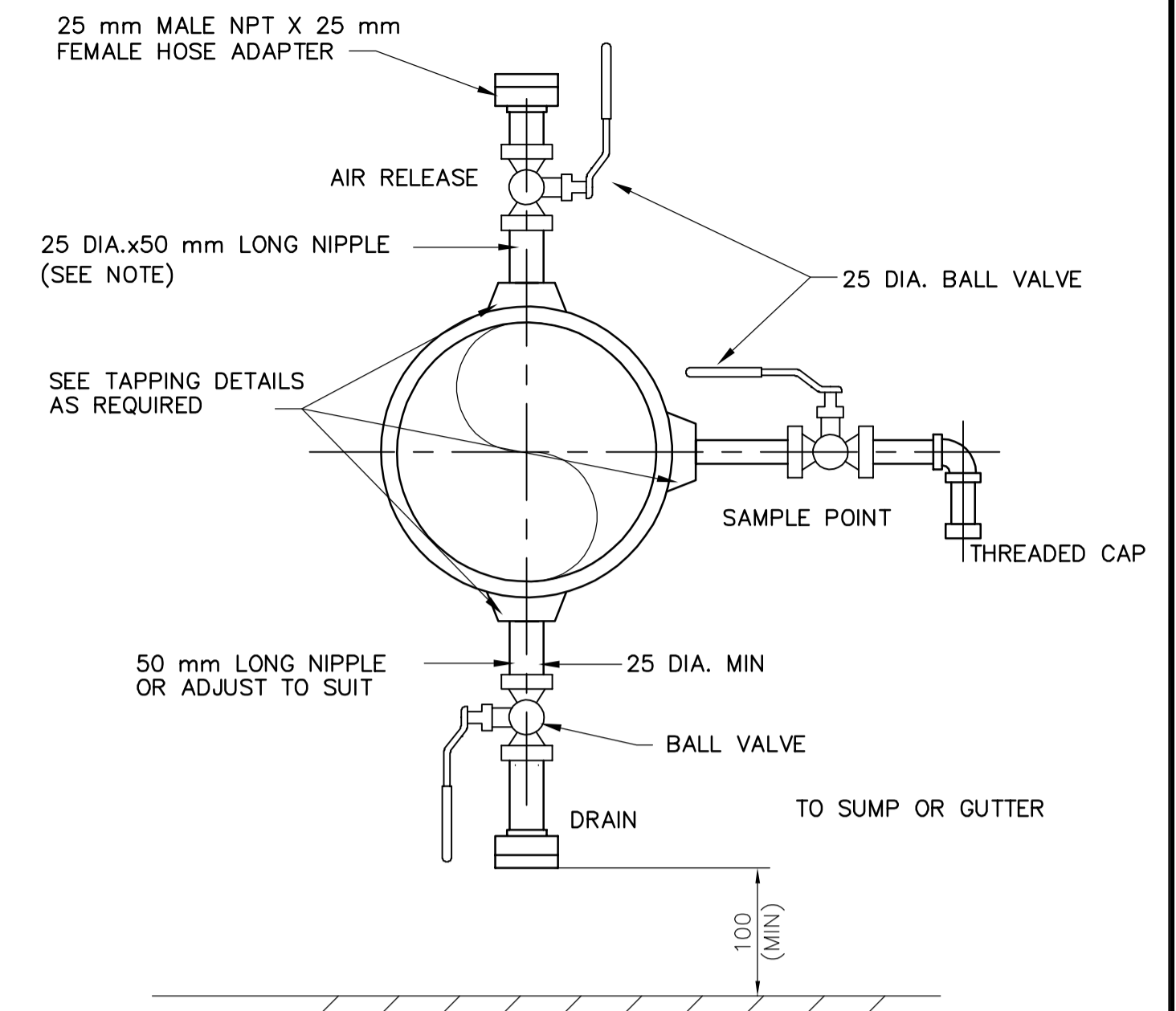
**2 TYPE 2 FLUSHING CONNECTIONS**



**TYPE 1** PIPING LARGER THAN 200Ø EXCLUDING PVC, FRP, & DI

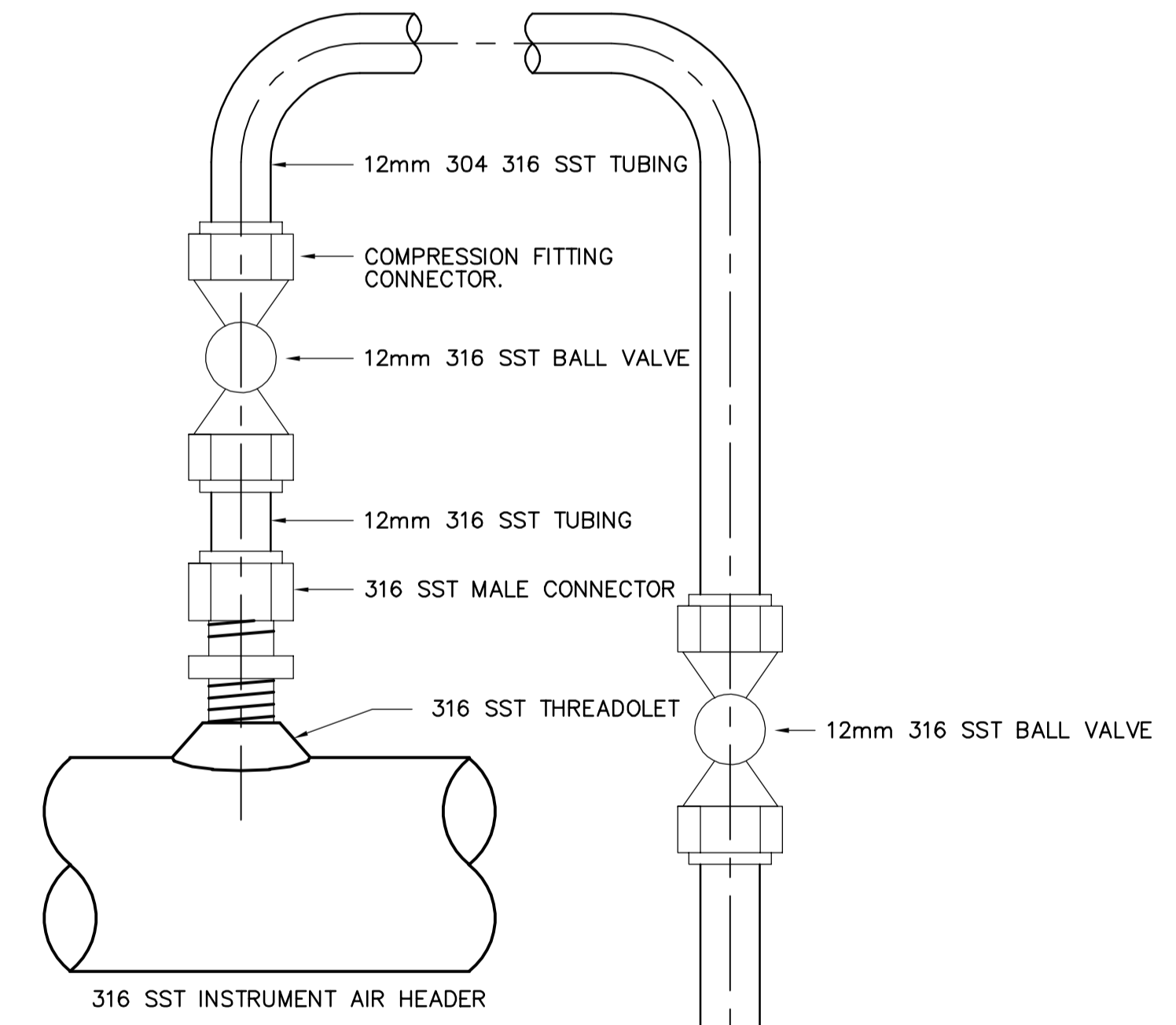
**TYPE 2** 316 SST SERVICE SADDLE FOR ALL PVC, S.S., FRP, DI & STEEL LINES 200Ø AND LESS.

**3 TYPE 1 AND 2 TAPPINGS**



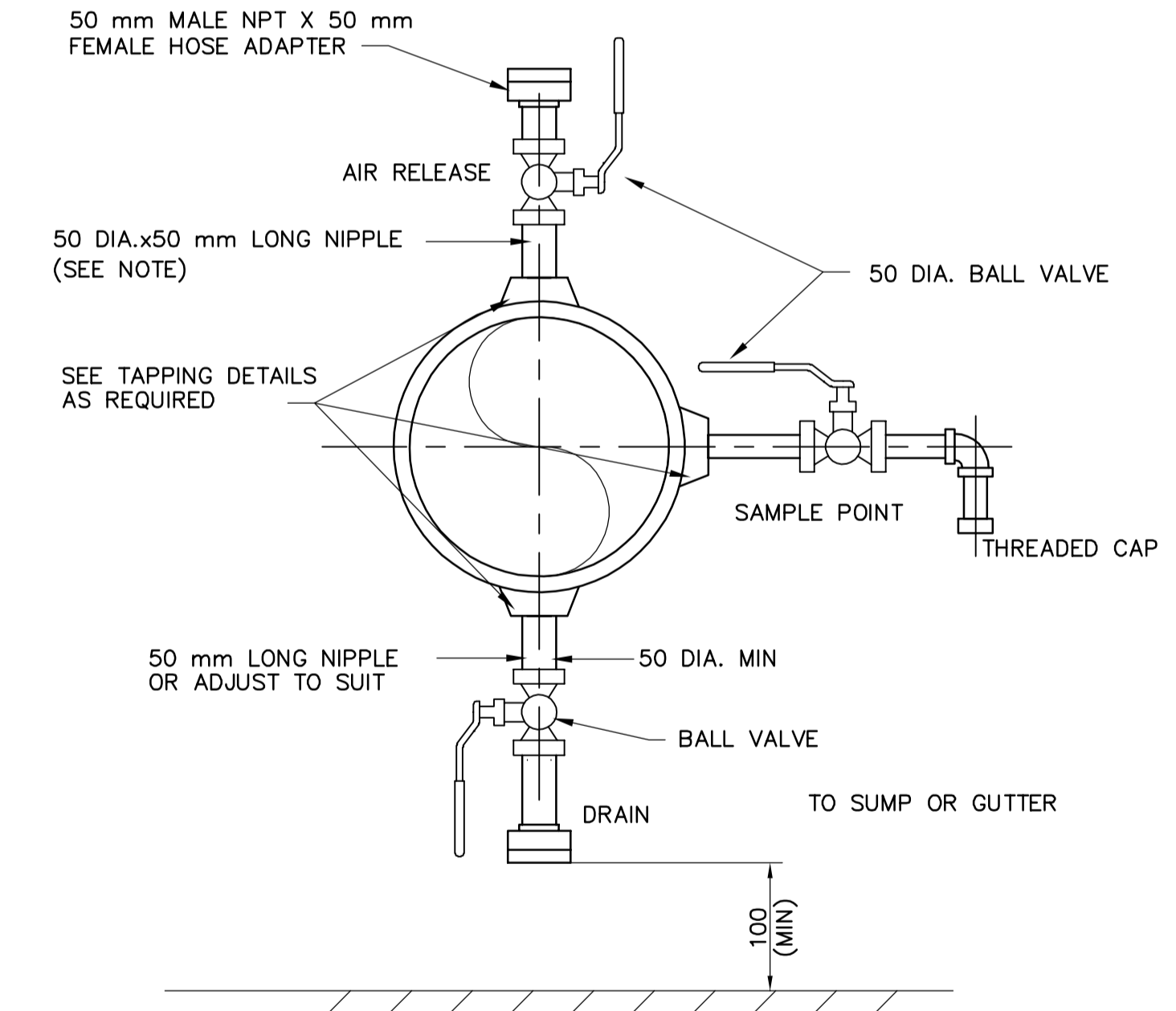
- NOTE:**
1. WHEN SERVICE PIPE IS MORE THAN 1800 mm ABOVE FLOOR, DRAIN (AIR RELEASE) SHALL BE PIPED DOWN NEAREST WALL WITH A VALVE 1200 mm ABOVE FINISHED FLOOR.

**4 25mm AIR RELEASE, SAMPLE AND DRAIN CONNECTION DETAILS**



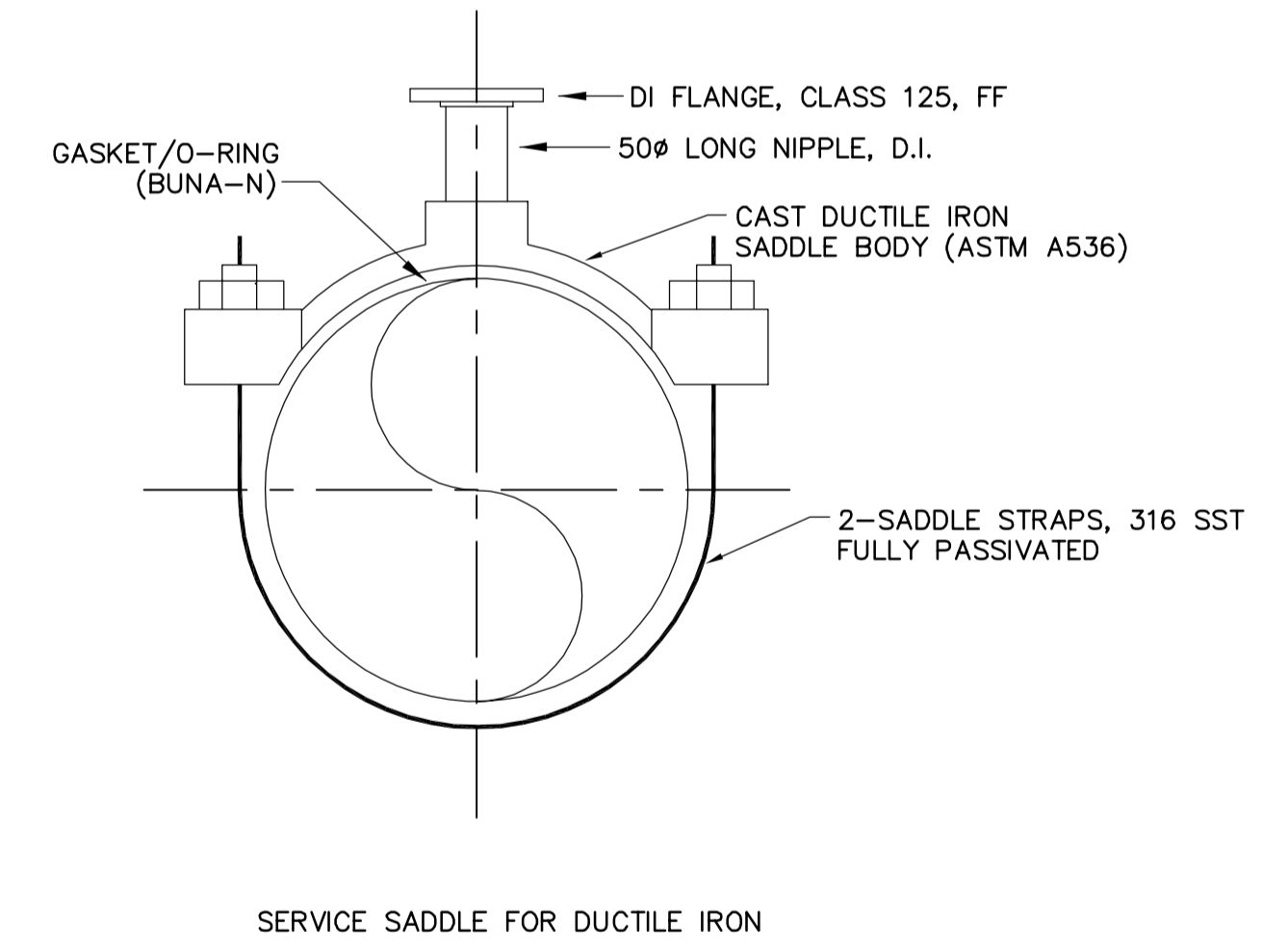
- NOTE:**
1. EXTEND 12mm SUPPLY BRANCH TO WITHIN 2m (HORIZONTAL) OF INSTRUMENT AIR TIE IN, 1500mm ABOVE FLOOR. SEE INSTRUMENT SPECIFICATION DATA SHEETS FOR LIST OF REQUIRED INSTRUMENT AIR TIE INS.
  1. ALL MATERIALS TO BE 316 SST

**5 INSTRUMENT AIR TAKEOFF**



- NOTE:**
1. WHEN SERVICE PIPE IS MORE THAN 1800 mm ABOVE FLOOR, DRAIN (AIR RELEASE) SHALL BE PIPED DOWN NEAREST WALL WITH A VALVE 1200 mm ABOVE FINISHED FLOOR.

**6 50mm AIR RELEASE, SAMPLE AND DRAIN CONNECTION DETAILS**



**7 TYPE 3 TAPPING**

<p><b>Certificate of Authorization</b> CH2M HILL Canada Ltd. No. 1441 Expiry: April 30, 2006</p>	B.M. ELEV.	<p>Frederickson Cooper ARCHITECTS</p>	<p>A 100 International Ltd. Company</p>	ENGINEER'S SEAL	<p><b>THE CITY OF WINNIPEG</b> WATER AND WASTE DEPARTMENT ENGINEERING DIVISION</p>		
				DESIGNED BY TB		CHECKED BY LS	ORIGINAL SIGNED BY P. WOBMA
				DRAWN BY P SINGH		APPROVED BY AHL	2006/03/29
				SCALE: NTS		RELEASED FOR CONSTRUCTION BY: R. SOROKOWSKI	CONSULTANT DRAWING NO. WB-M0463
	00 ISSUED FOR TENDER 06/03/29 TB	DATE 2005/12/02	DATE 2006/03/29		<p>WATER TREATMENT PLANT MAIN BUILDING MECHANICAL AND ELECTRICAL</p> <p>PROCESS MECHANICAL</p> <p>STANDARD DETAILS</p>		
	NO. REVISIONS	DATE	BY		<p>CITY FILE NUMBER</p> <p>SHEET OF</p> <p>CITY DRAWING NUMBER</p> <p>1-0601B-A-M0463-001-000</p>		