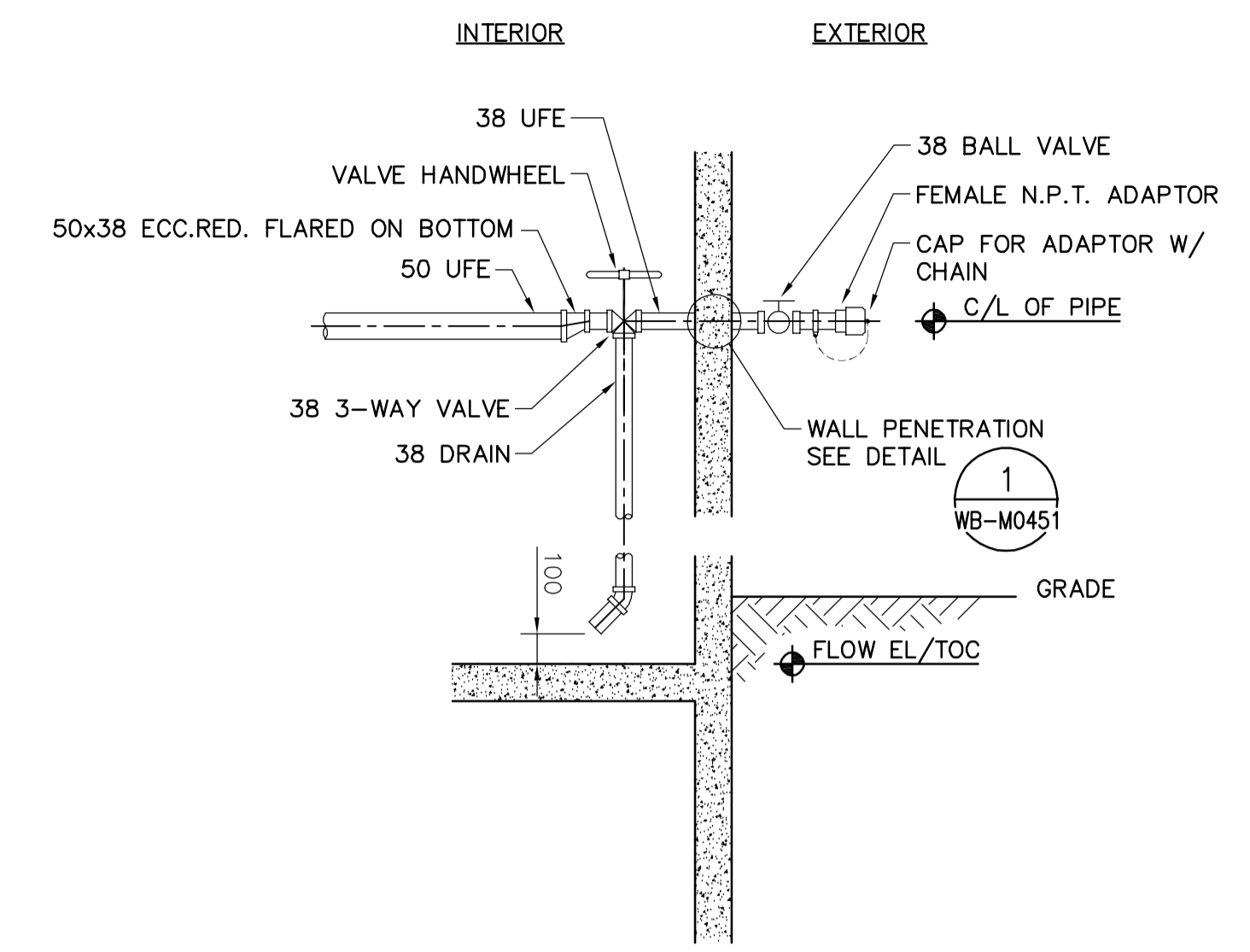


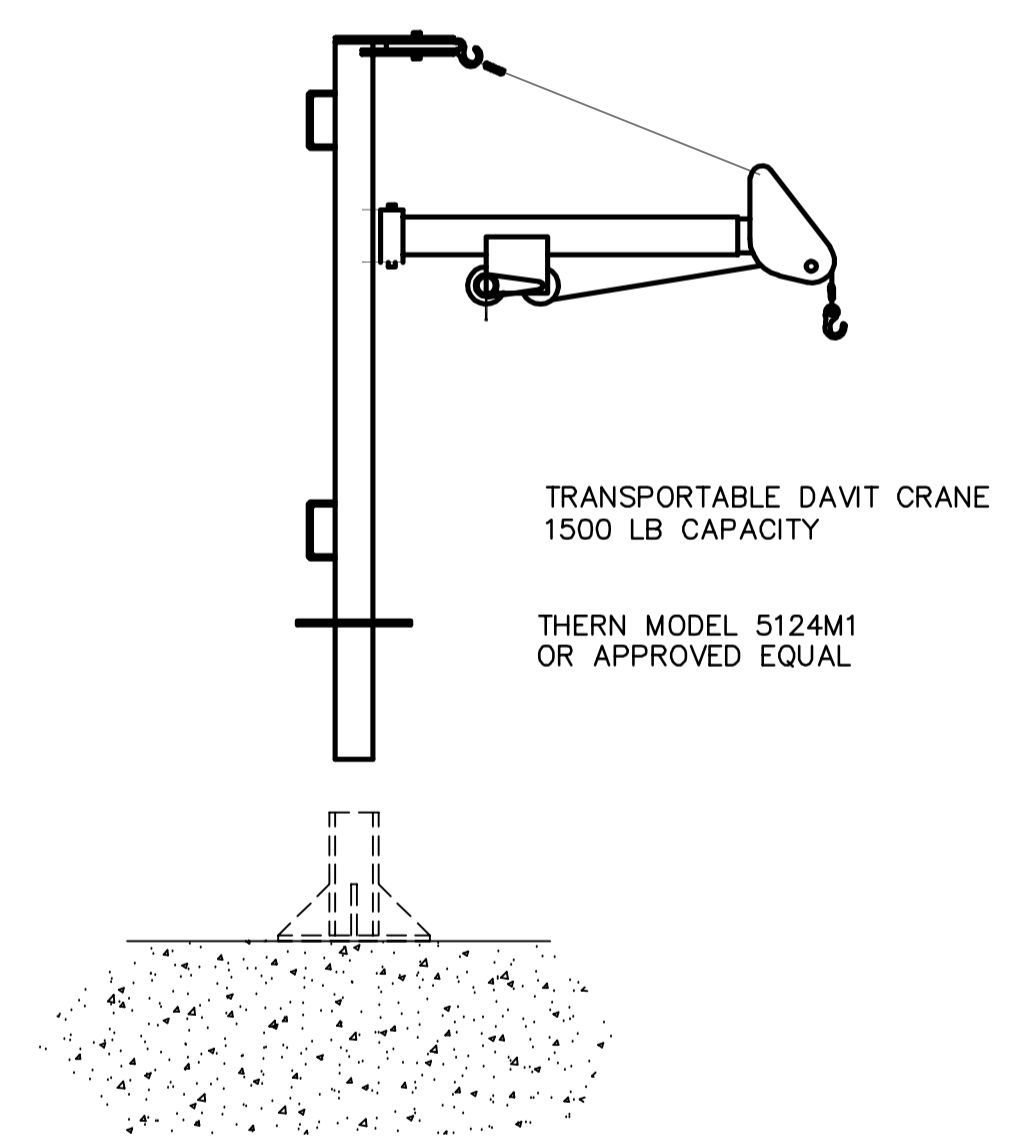
NOTES:  
1. REFER TO CONTRACT DOCUMENTS FOR SPECIFIC CENTRE LINE AND TOP OF CONCRETE WALL ELEVATIONS

2 HOSE STATION WITH DRAIN DETAIL

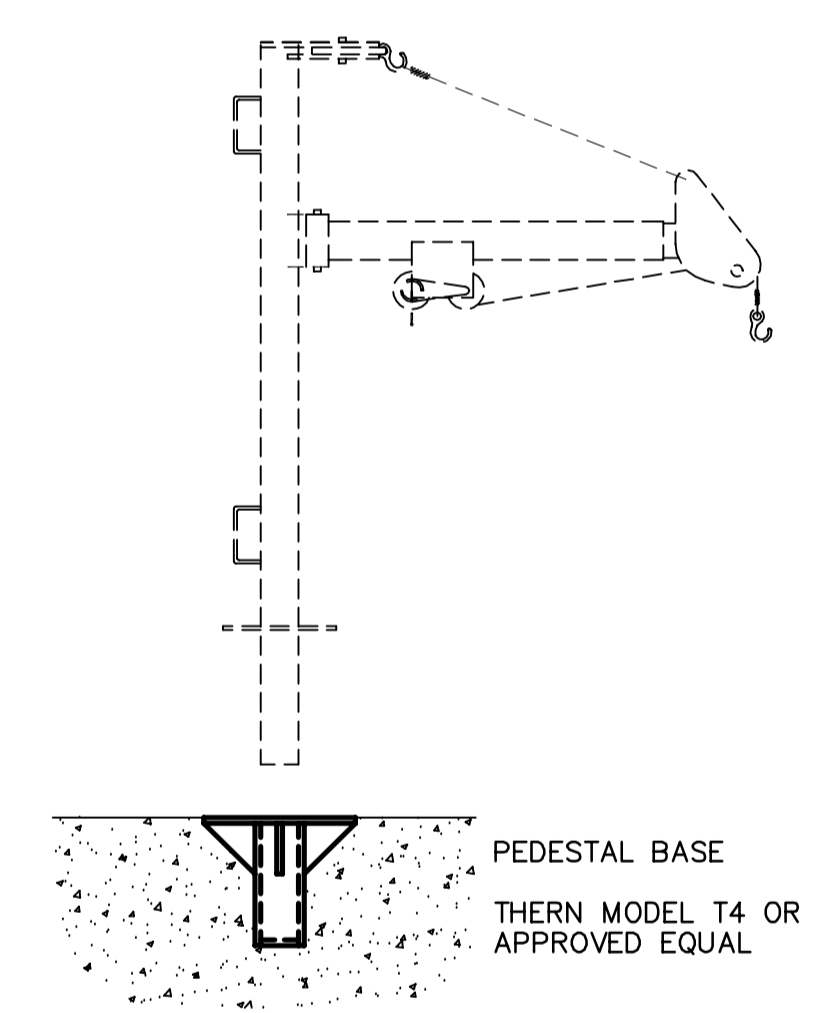


NOTES:  
1. REFER TO CONTRACT DOCUMENTS FOR SPECIFIC CENTRE LINE AND TOP OF CONCRETE WALL ELEVATIONS

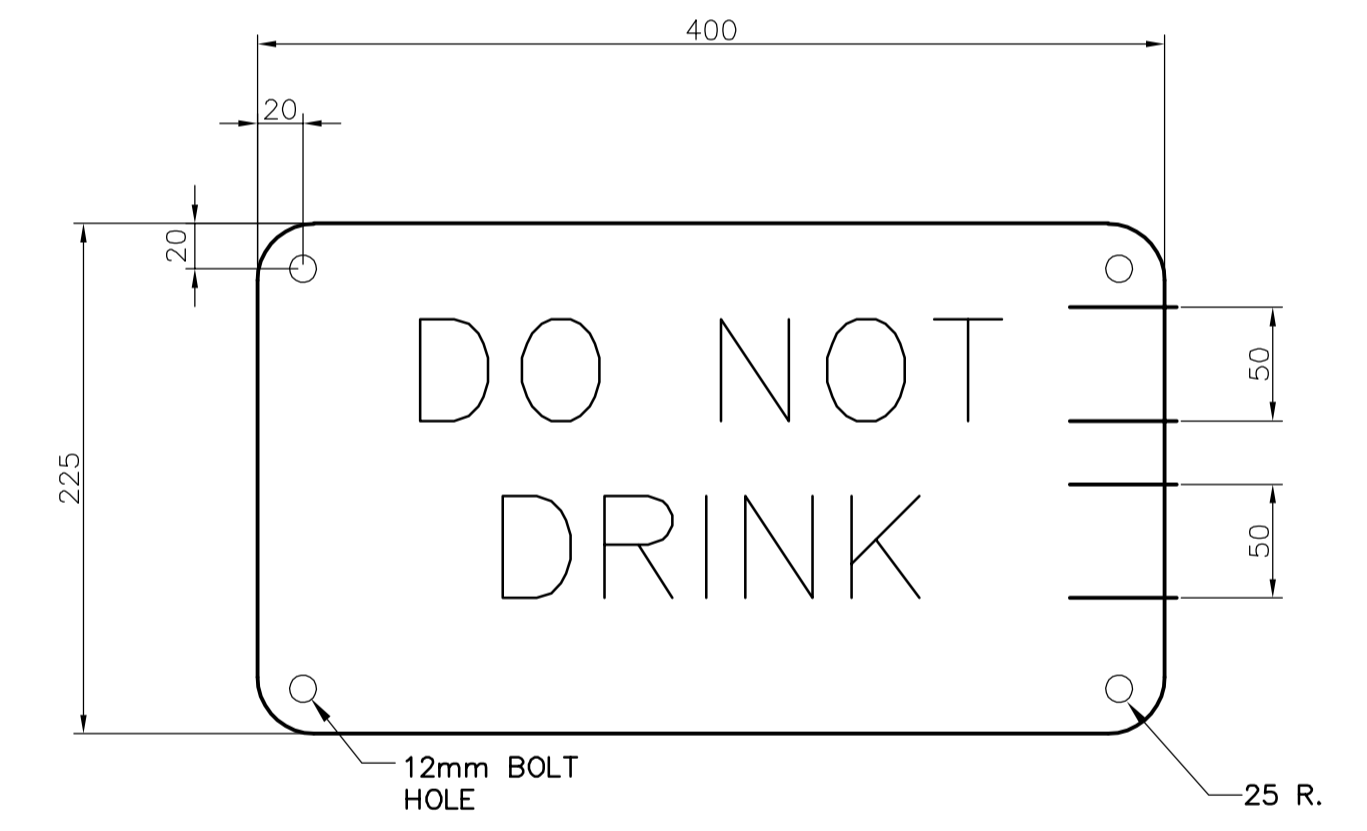
3 TYPE 3 HOSE STATION WITH DRAIN DETAIL



4 WINCH SUPPORT DETAIL



5 TYPE 2 WINCH BASE DETAIL



NOTES:  
1. WARNING SIGN SHALL BE BAKED ENAMEL ON STEEL PLATE WITH WHITE LETTERING ON RED BACKGROUND.  
2. ROUND ALL SHARP EDGES.

6 WARNING SIGN DETAIL

<p><b>APEGN</b> Certificate of Authorization CH2M HILL Canada Ltd. No. 1441 Expiry: April 30, 2006</p>	<table border="1"> <tr> <td>B.M. ELEV.</td> <td></td> <td></td> <td></td> </tr> <tr> <td>ISSUED FOR TENDER</td> <td>06/03/29</td> <td>TB</td> <td></td> </tr> <tr> <td>NO. REVISIONS</td> <td></td> <td>DATE</td> <td>BY</td> </tr> </table>	B.M. ELEV.				ISSUED FOR TENDER	06/03/29	TB		NO. REVISIONS		DATE	BY	<p>Frederickson Cooper ARCHITECTS</p>	<p>A You International Ltd. Company</p>	ENGINEER'S SEAL	<p><b>THE CITY OF WINNIPEG</b> WATER AND WASTE DEPARTMENT ENGINEERING DIVISION</p>
		B.M. ELEV.															
ISSUED FOR TENDER	06/03/29	TB															
NO. REVISIONS		DATE	BY														
DESIGNED BY: TB	CHECKED BY: LS	ORIGINAL SIGNED BY: P. WOBMA	CITY FILE NUMBER														
DRAWN BY: P SINGH	APPROVED BY: AHL	2006/03/29	SHEET OF														
SCALE: NTS	RELEASED FOR CONSTRUCTION BY: R. SOROKOWSKI	CONSULTANT DRAWING NO. WB-M0465	CITY DRAWING NUMBER														
DATE: 2005/12/02	DATE: 2006/03/29		1-0601B-A-M0465-001-000														
			PROCESS MECHANICAL														
			STANDARD DETAILS														