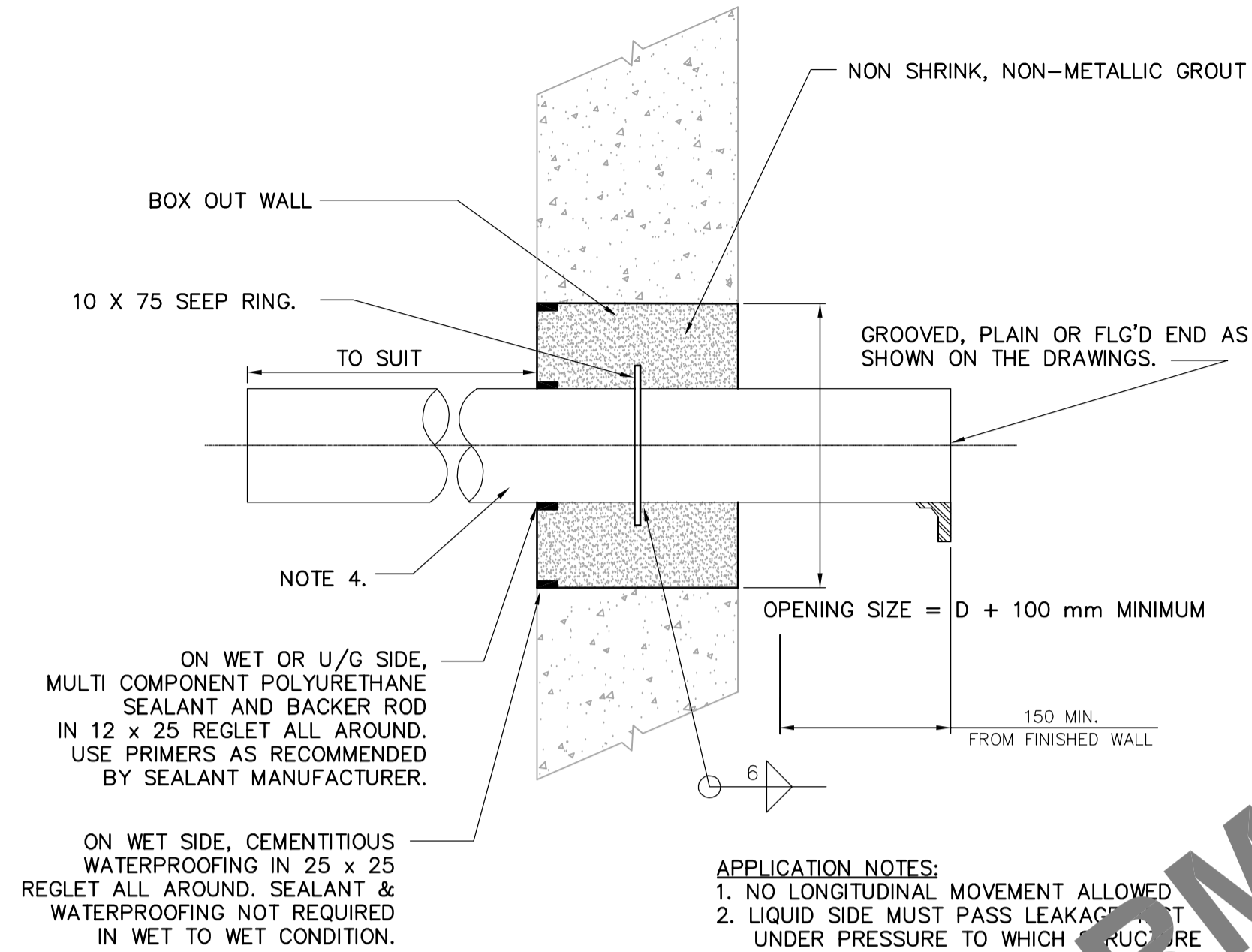


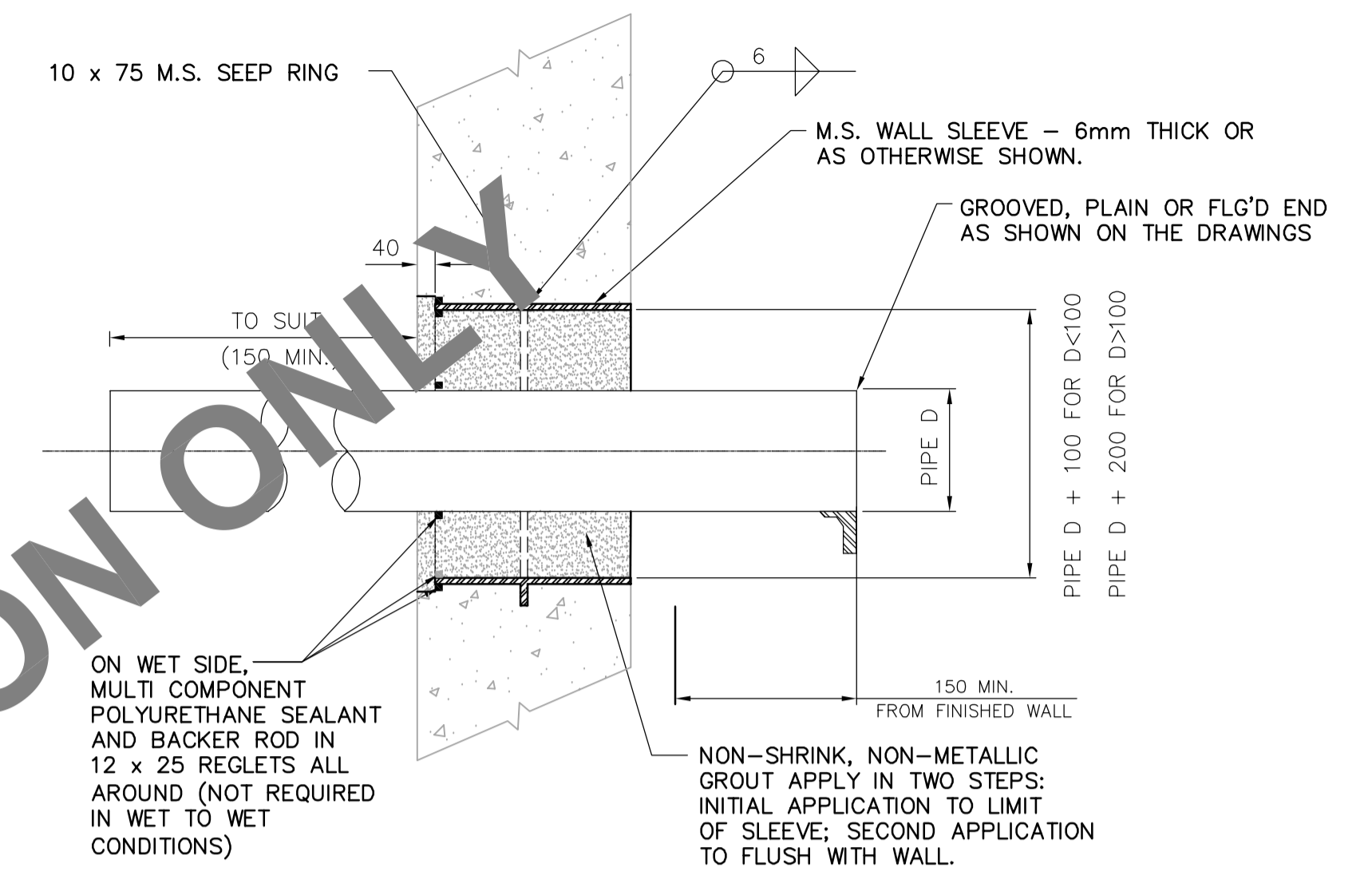
- APPLICATION NOTES:**
1. NO LONGITUDINAL MOVEMENT ALLOWED
 2. LIQUID SIDE MUST PASS LEAKAGE TEST UNDER PRESSURE TO WHICH STRUCTURE IS SUBJECTED.
 3. COATING NOT REQUIRED ON STAINLESS STEEL AND PVC PIPE.
 4. ON EXTERIOR OF PIPE, END COATING 50mm INSIDE CONCRETE FACE.

1 WALL AND FLOOR PENETRATION NO. 1
N.T.S.



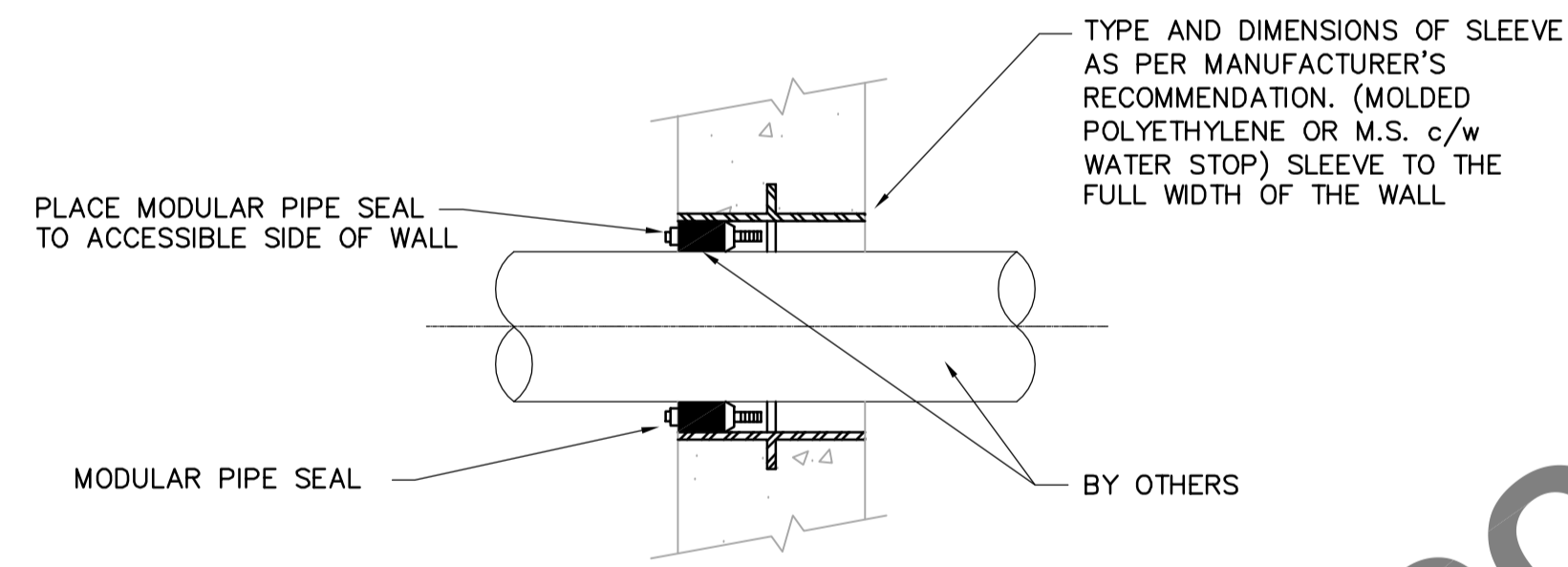
- APPLICATION NOTES:**
1. NO LONGITUDINAL MOVEMENT ALLOWED
 2. LIQUID SIDE MUST PASS LEAKAGE TEST UNDER PRESSURE TO WHICH STRUCTURE IS SUBJECTED.
 3. COATING NOT REQUIRED ON STAINLESS STEEL AND PVC PIPE.
 4. ON EXTERIOR OF PIPE, END COATING 50mm INSIDE CONCRETE FACE.

2 WALL PENETRATION NO. 2
N.T.S.



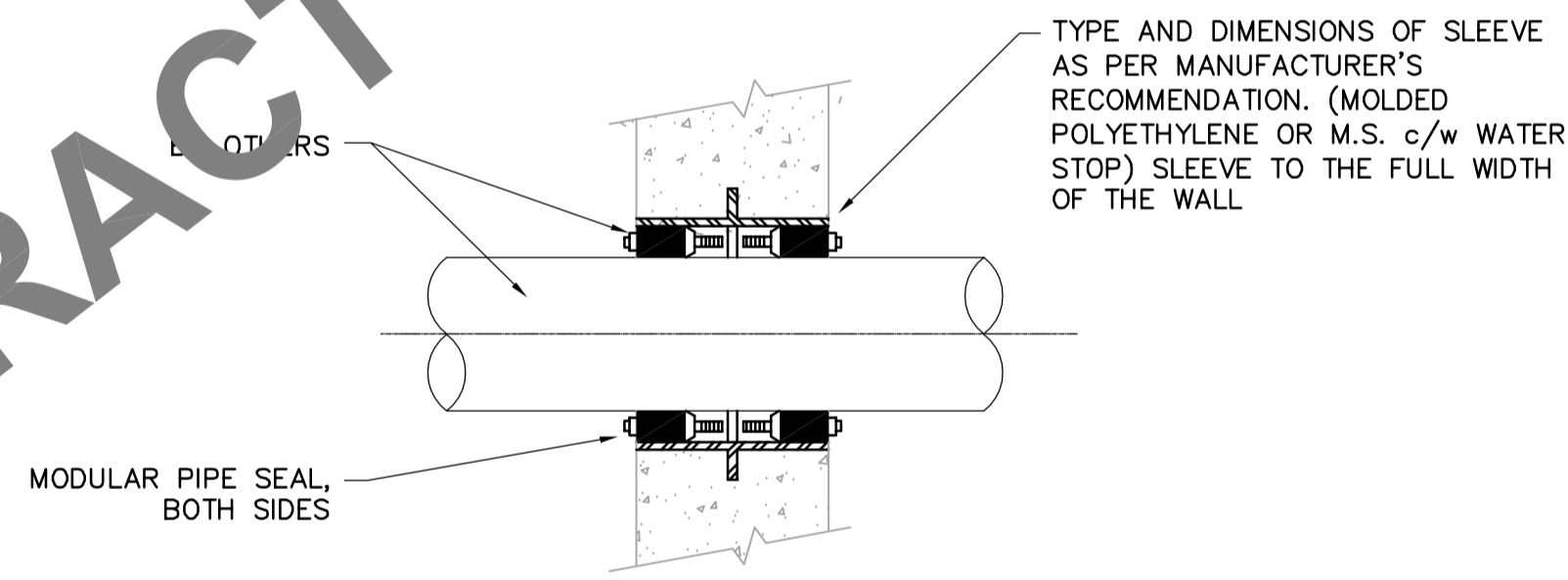
- APPLICATION NOTES:**
1. NO LONGITUDINAL MOVEMENT ALLOWED
 2. LIQUID SIDE MUST PASS LEAKAGE TEST UNDER PRESSURE TO WHICH STRUCTURE IS SUBJECTED.

3 WALL PENETRATION NO. 3
N.T.S.



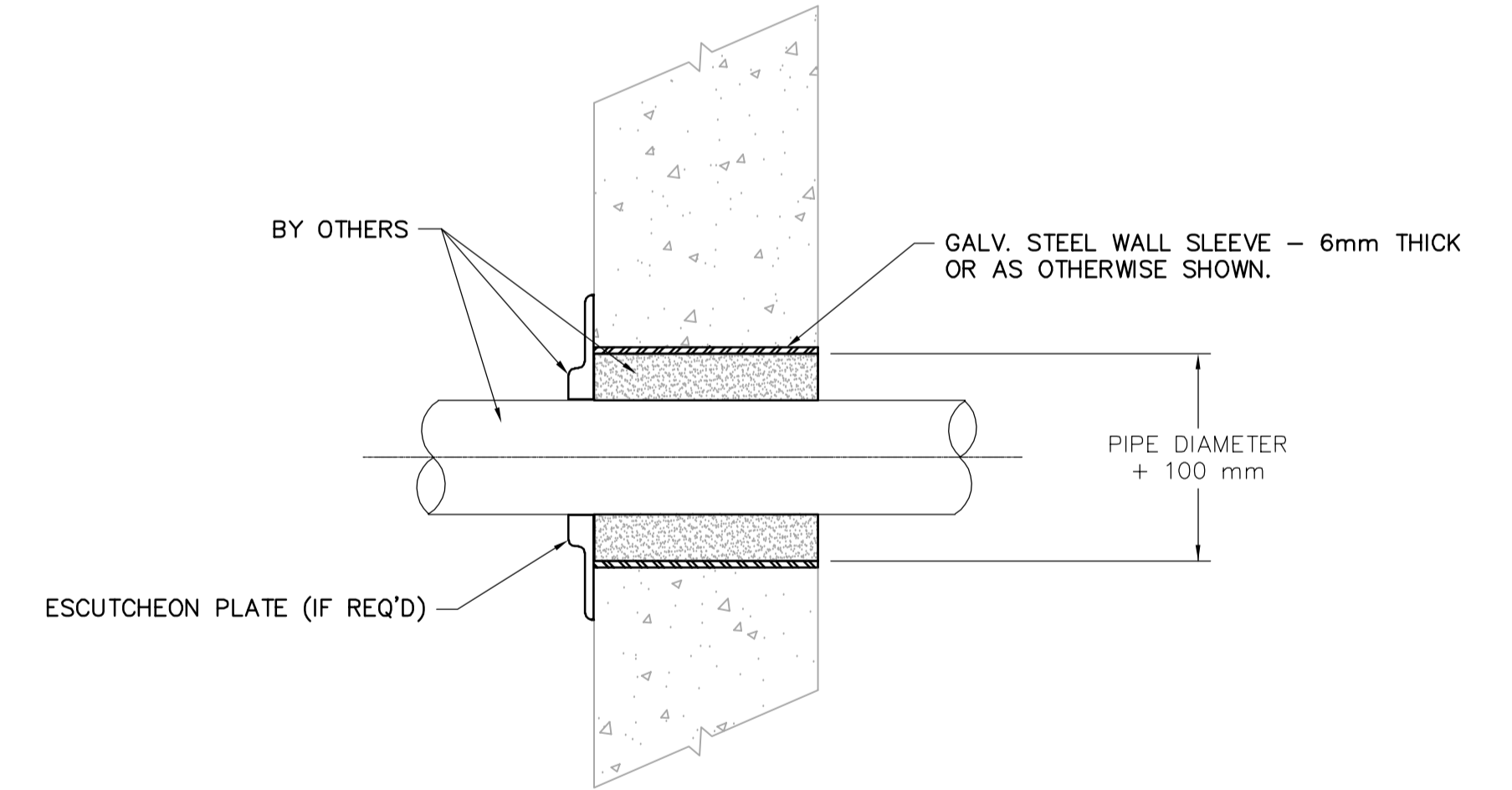
- APPLICATION NOTES:**
1. SEEP RING REQ'D ONLY FOR PENETRATION IN WET AREAS OR BELOW GRADE.
 2. LIQUID SIDE MUST PASS LEAKAGE TEST UNDER PRESSURE TO WHICH STRUCTURE IS SUBJECTED
 3. FOR PENETRATIONS THROUGH EXISTING STRUCTURES CORE AND INSTALL SEAL PER MANUFACTURER'S SPEC'S (NO SLEEVE REQUIRED)
 4. SUPPORT PIPE ON BOTH SIDES OF WALL PENETRATION.
 5. USE STAINLESS STEEL HARDWARE.

4 WALL & FLOOR PENETRATION NO. 4
N.T.S.



- APPLICATION NOTES:**
1. SEEP RING REQ'D ONLY FOR PENETRATION IN WET AREAS OR BELOW GRADE.
 2. LIQUID SIDE MUST PASS LEAKAGE TEST UNDER PRESSURE TO WHICH STRUCTURE IS SUBJECTED
 3. FOR PENETRATIONS THROUGH EXISTING STRUCTURES CORE AND INSTALL SEAL PER MANUFACTURER'S SPEC'S (NO SLEEVE REQUIRED)
 4. SUPPORT PIPE ON BOTH SIDES OF WALL PENETRATION.
 5. USE STAINLESS STEEL HARDWARE.

5 WALL & FLOOR PENETRATION NO. 5
N.T.S.



6 WALL PENETRATION NO. 6
N.T.S.

NOT IN CONTRACT - FOR INFORMATION ONLY

 APEGN Certificate of Authorization CH2M HILL Canada Ltd. No. 1441 Expiry: April 30, 2006	B.M. ELEV.	 Frederickson Cooper ARCHITECTS	 A Terra International Ltd. Company	ENGINEER'S SEAL	 THE CITY OF WINNIPEG WATER AND WASTE DEPARTMENT ENGINEERING DIVISION	CITY FILE NUMBER		
				DESIGNED BY DC		CHECKED BY JS	ORIGINAL SIGNED BY P. WOBMA	SHEET OF
				DRAWN BY EK		APPROVED BY DJT	2006/02/06	CITY DRAWING NUMBER
				SCALE: NONE		RELEASED FOR CONSTRUCTION BY: R. SOROKOWSKI	CONSULTANT DRAWING NO. WB-M9451	1-060B-A-M9451-001-00D
	NO. REVISIONS	DATE BY	DATE	2005/09/12	DATE	2006/02/08		