

FIG. 1 FLOOR MOUNT

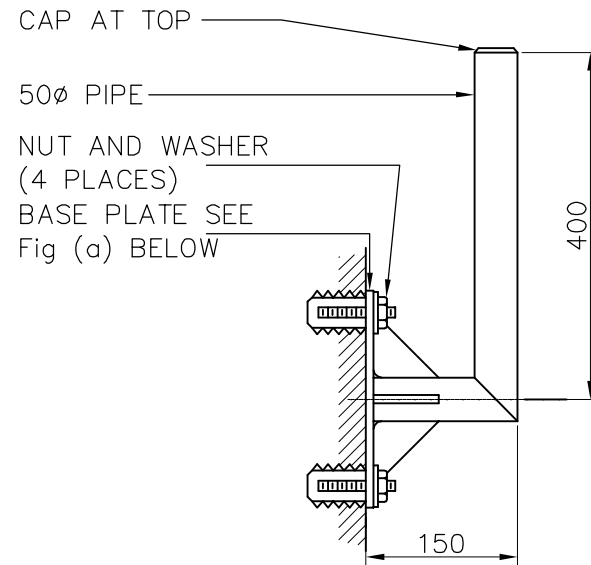


FIG. 2 WALL MOUNT

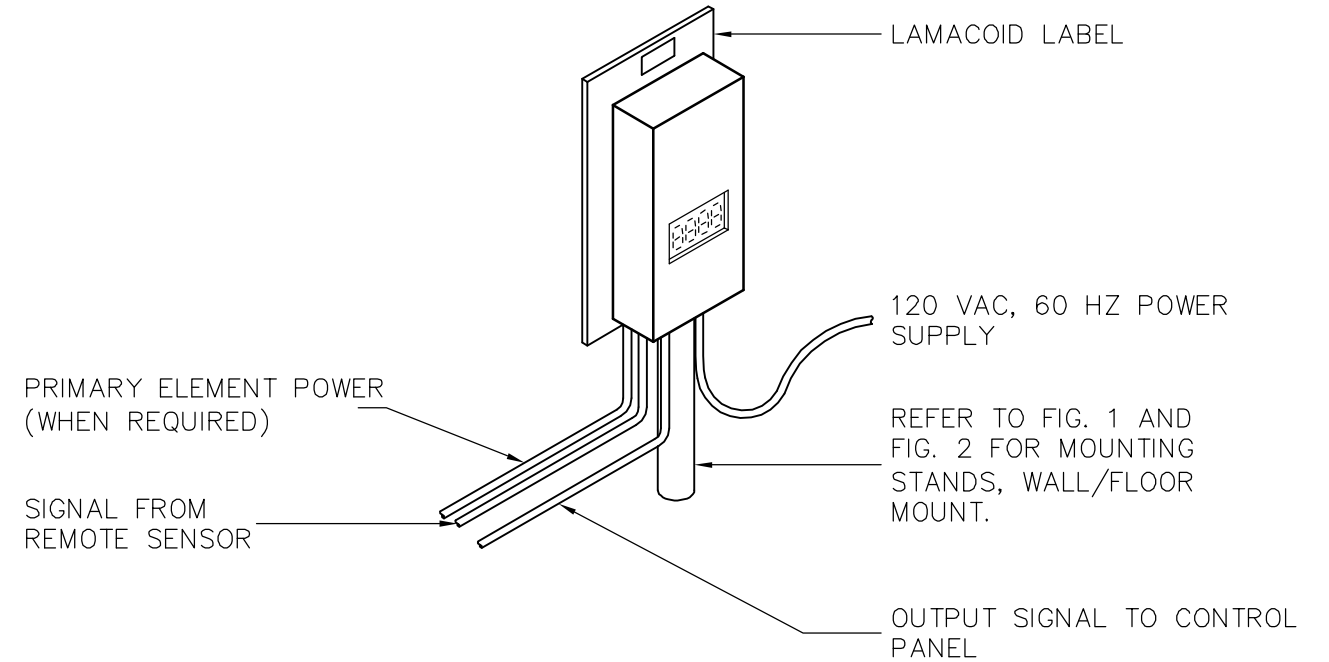


FIG. 3 REMOTE INDICATING TRANSMITTER (SELF POWERED)

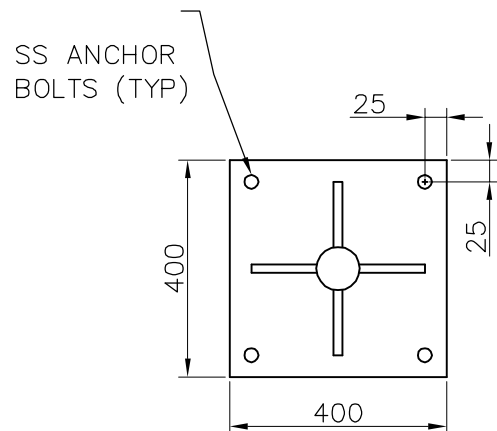


FIG.(a) MOUNTING PLATE

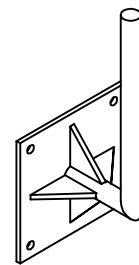


FIG.(b) WALL MOUNT EXTERNAL VIEW

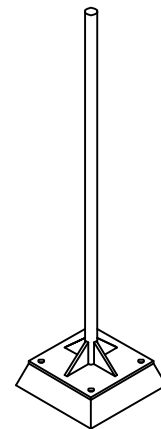


FIG.(c) FLOOR MOUNT EXTERNAL VIEW

REFER TO FIG. 1 AND FIG. 2 FOR MOUNTING STANDS, WALL/FLOOR MOUNT.

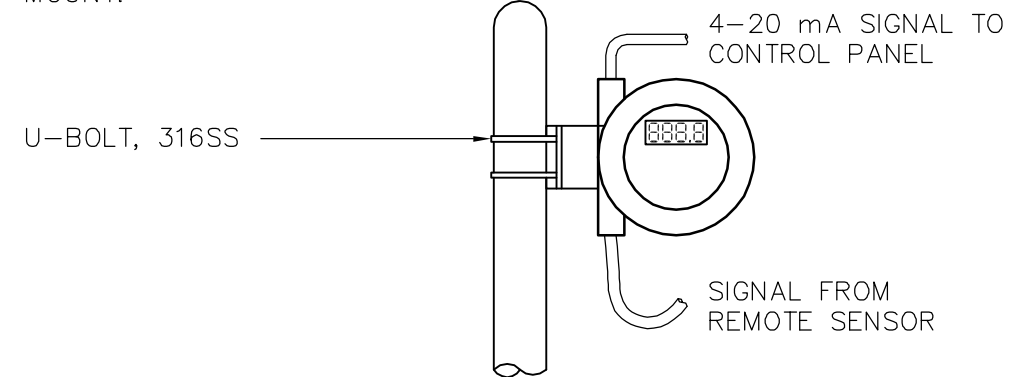


FIG. 4 REMOTE INDICATING TRANSMITTER (LOOP POWERED)

NOTES:

- 1) PIPE AND MOUNTING PLATE COPPER FREE ALUMINUM, OR GALVANIZED STEEL.
- 2) TOP OF PIPE TO BE 1400 (NOMINAL) ABOVE SERVICE FLOOR.
- 3) GROUTING TO BE POURED ONCE FLOOR MOUNT STAND PLUMBED FASTENED IN PLACE.



B.M. ELEV.			
DESIGNED BY	NT	CHECKED BY	SWT
DRAWN BY	GLG	APPROVED BY	AHL
SCALE	NTS	RELEASED FOR CONSTRUCTION BY:	R. SOROKOWSKI
NO.	ISSUED FOR TENDER	DATE	06/03/29
REVISIONS		DATE	2006/01/17

 	ENGINEER'S SEAL ORIGINAL SIGNED BY S.W. TORMEY 2006/03/29
DESIGNED BY: NT CHECKED BY: SWT DRAWN BY: GLG APPROVED BY: AHL SCALE: NTS RELEASED FOR CONSTRUCTION BY: R. SOROKOWSKI DATE: 2006/03/29	CONSULTANT DRAWING NO. WB-A0402

 WATER AND WASTE DEPARTMENT ENGINEERING DIVISION	
WATER TREATMENT PLANT MAIN BUILDING MECHANICAL AND ELECTRICAL	CITY FILE NUMBER SHEET OF
AUTOMATION / I&C LOOP POWERED REMOTE INDICATING TRANSMITTER INSTALLATION DETAILS	CITY DRAWING NUMBER 1-0601B-D-A0402-001-008