

FIG. 1 SELECTOR SWITCH WITH INDICATOR

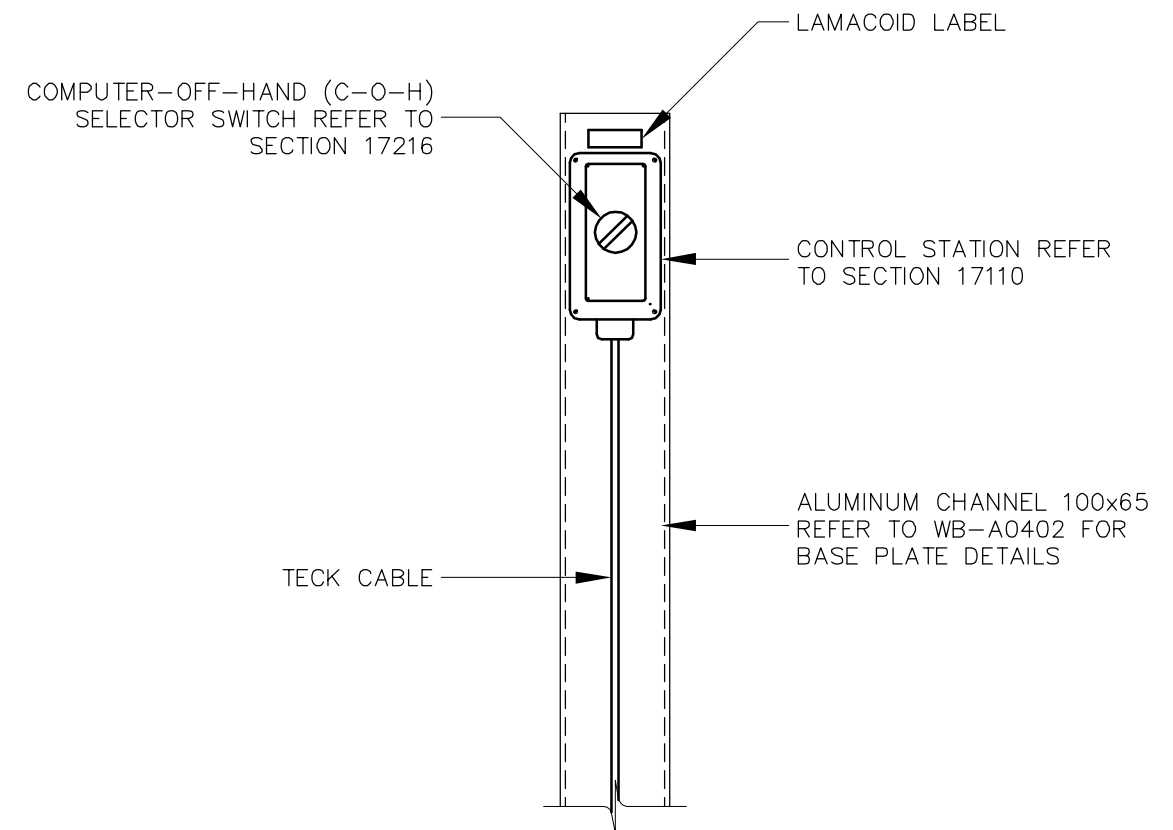


FIG. 2 SELECTOR SWITCH

 Certificate of Authorization Earth Tech Canada Inc. No. 730 Expiry: April 30, 2006	B.M. ELEV.		 Frederickson Cooper A SOROKOWSKI COMPANY	 A Youmans & Co. Company	ENGINEER'S SEAL	 <b>THE CITY OF WINNIPEG</b> WATER AND WASTE DEPARTMENT ENGINEERING DIVISION  WATER TREATMENT PLANT MAIN BUILDING MECHANICAL AND ELECTRICAL  AUTOMATION / I&C HAND SWITCH MOUNTING INSTALLATION DETAILS	CITY FILE NUMBER	
	DESIGNED BY	NT			CHECKED BY		SWT	ORIGINAL SIGNED BY
	DRAWN BY	GLG	APPROVED BY	AHL	S.W. TORMEY			
	SCALE:	NTS	RELEASED FOR CONSTRUCTION BY:	R. SOROKOWSKI	2006/03/29			
00 ISSUED FOR TENDER	06/03/29	GLG			CONSULTANT DRAWING NO.	CITY DRAWING NUMBER		
NO. REVISIONS	DATE	BY	DATE	2006/01/03	WB-A0403	1-0601B-D-A0403-001-008		