

FIG. (a) DIRTY SERVICE DIAPHRAGM SEAL

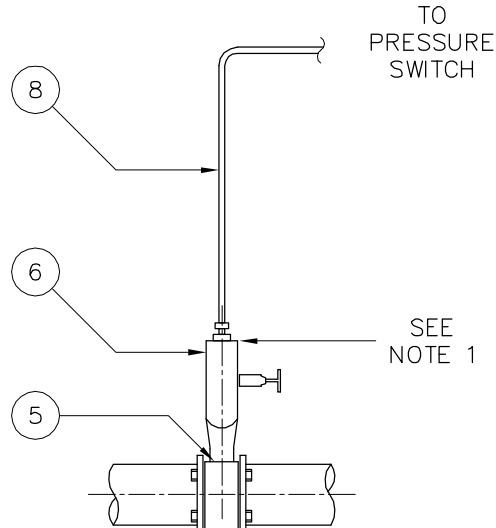


FIG. (b) DIRTY SERVICE IN-LINE SERVICE

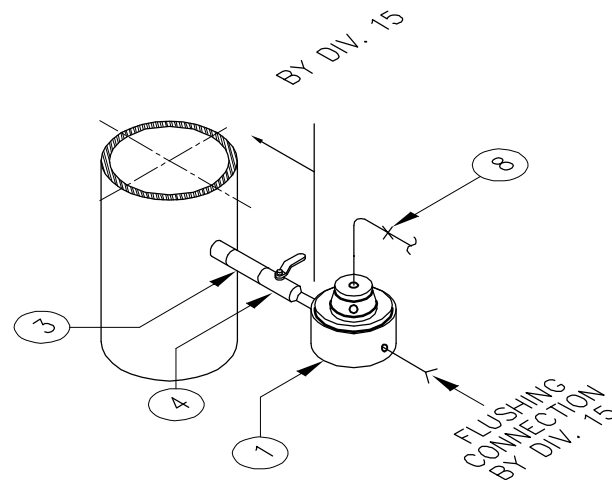


FIG. (c) DIRTY SERVICE-DIAPHRAGM SERVICE WITH CONTINUOUS FLUSH

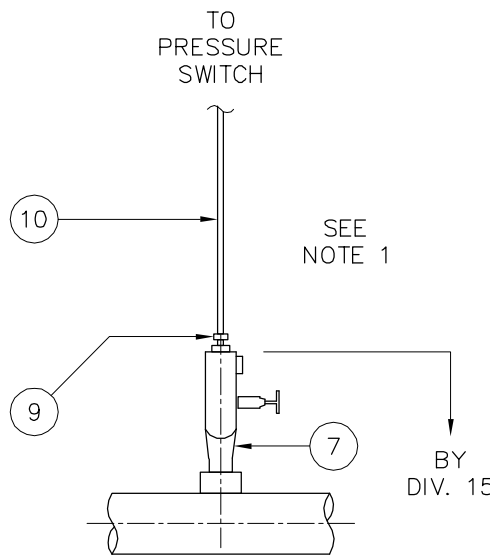


FIG. (d) CLEAN SERVICE

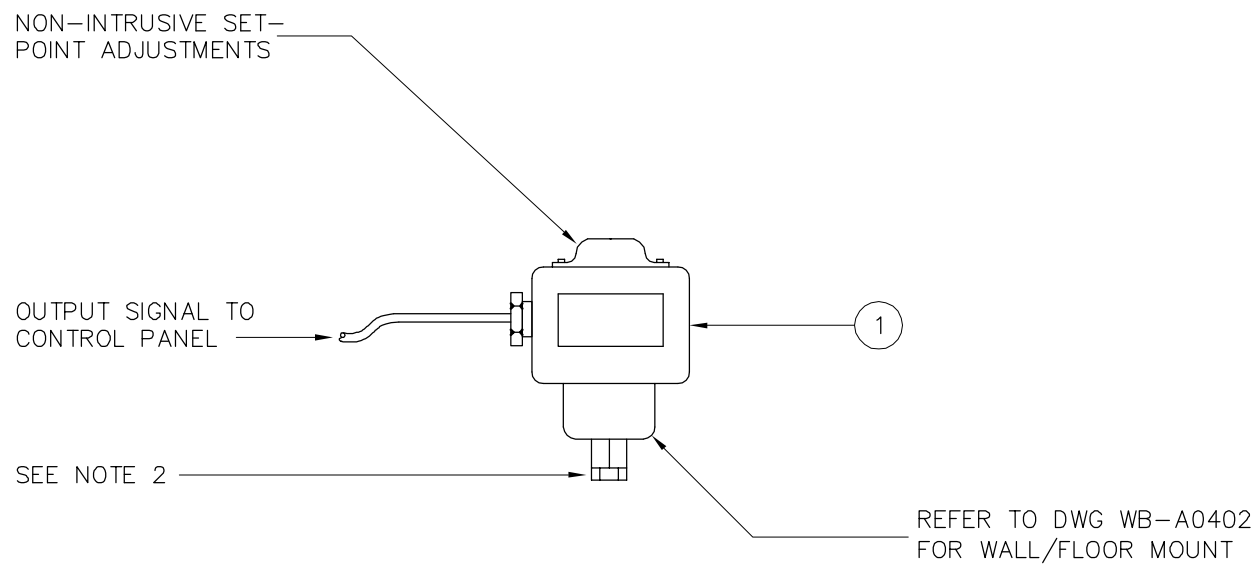


FIG. 1 PRESSURE SWITCH REMOTE MOUNT

NOTES:

- 1) WHEN BOTH PRESSURE GAUGE AND PRESSURE SWITCH REQUIRED BY APPLICATION. (REFER TO DRAWING NO. WB-A0404)
- 2) PROVIDE REQUIRED CONNECTOR TO ACCOMMODATE PROCESS CONNECTION TO PRESSURE SWITCH.
- 3) SUPPLIED AND INSTALLED BY DIVISION 15.

ITEM	DESCRIPTION
1	PRESSURE SWITCH, 12mm (NPT) PROCESS CONNECTION
2	DIAPHRAGM SEAL, ASHCROFT TYPE 101, C/W FLUSHING AND FILL CONN.
3	LONG NIPPLE, 20mmØ x 50 mm, SEE NOTE 3
4	BALL VALVE - BV02, 20mm DIA, REFER TO DIVISION 15, SEE NOTE 3
5	THRU IN-LINE PRESSURE SENSOR, 12mm (NPT) CONN., BY SECTION 17710
6	MULTI-PORT GAUGE VALVE, STRAIGHT THROUGH TYPE, 12mm x 12mm (NPT)
7	MULTI-PORT GAUGE VALVE, STRAIGHT THROUGH TYPE, 12mm x 20mm (NPT), SEE NOTE 3
8	CAPILLARY TUBING, C/W 316SST ARMoured SHEATH
9	MALE CONNECTOR, 12mm x 10mm (NPT)
10	TUBING, 10mm Ø, 316SST
11	LONG NIPPLE, 20mmØ X 50mm LONG

**APEGM**  
Certificate of Authorization  
Earth Tech Canada Inc.  
No. 730 Expiry: April 30, 2006

B.M. ELEV.	NO.	ISSUED FOR TENDER	DATE	BY	REVISIONS
	00	ISSUED FOR TENDER	06/03/29	GLG	

<b>CH2M HILL</b> Frederickson Cooper	<b>Earth Tech</b> Aqua Environmental Energy
DESIGNED BY NT	CHECKED BY SWT
DRAWN BY GLG	APPROVED BY AHL
SCALE: NTS	RELEASED FOR CONSTRUCTION BY: R. SOROKOWSKI
DATE 2006/01/03	DATE 2006/03/29

ENGINEER'S SEAL  
ORIGINAL SIGNED BY  
S.W. TORMEY  
2006/03/29  
CONSULTANT DRAWING NO.  
WB-A0405

**THE CITY OF WINNIPEG**  
WATER AND WASTE DEPARTMENT  
ENGINEERING DIVISION

WATER TREATMENT PLANT  
MAIN BUILDING  
MECHANICAL AND ELECTRICAL

AUTOMATION / I&C  
PRESSURE SWITCH  
INSTALLATION DETAILS

CITY FILE NUMBER  
SHEET OF  
CITY DRAWING NUMBER  
1-0601B-D-A0405-001-008