

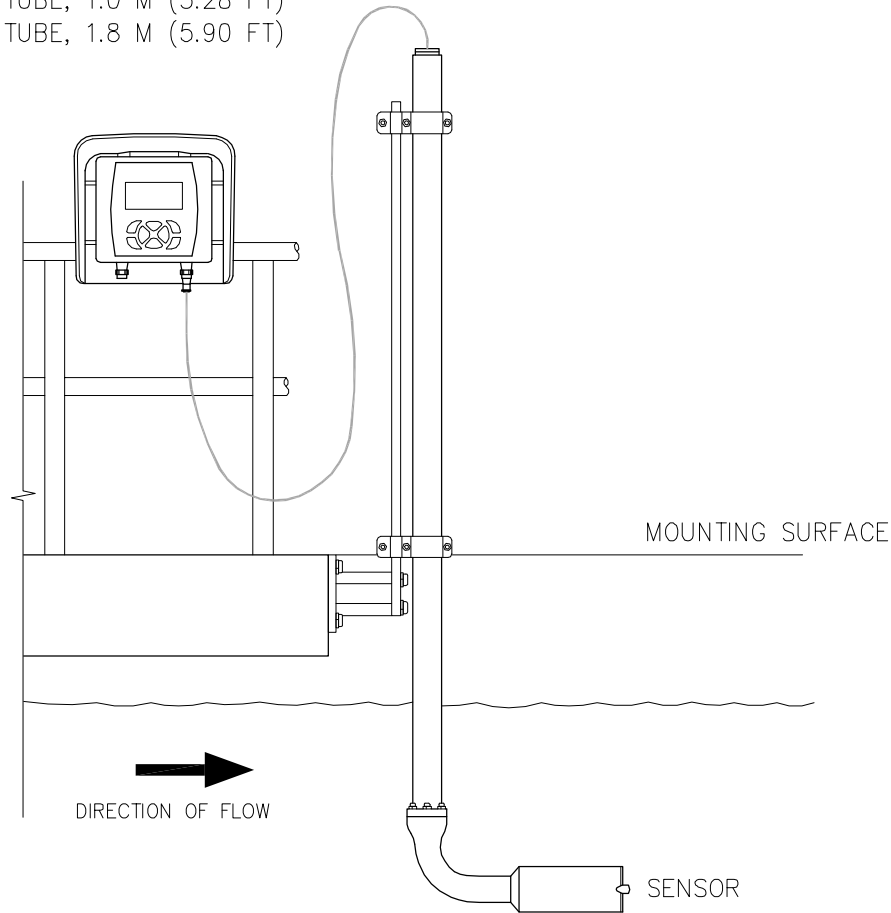
TURBIDITY/TSS INSTALLATION

INSTALLATION OVERVIEW

THE MAXIMUM DISTANCE FROM THE MOUNTING SURFACE TO THE SENSOR WITHOUT THE USE OF AN EXTENSION TUBE IS 1.5 M (4.9 FT), AS SHOWN.

WHEN THAT DISTANCE EXCEEDS 1.5 M (4.9 FT), ONE OF THE FOLLOWING EXTENSION TUBES IS REQUIRED:

- EXTENSION TUBE, 35 CM (1.15 FT)
- EXTENSION TUBE, 1.0 M (3.28 FT)
- EXTENSION TUBE, 1.8 M (5.90 FT)

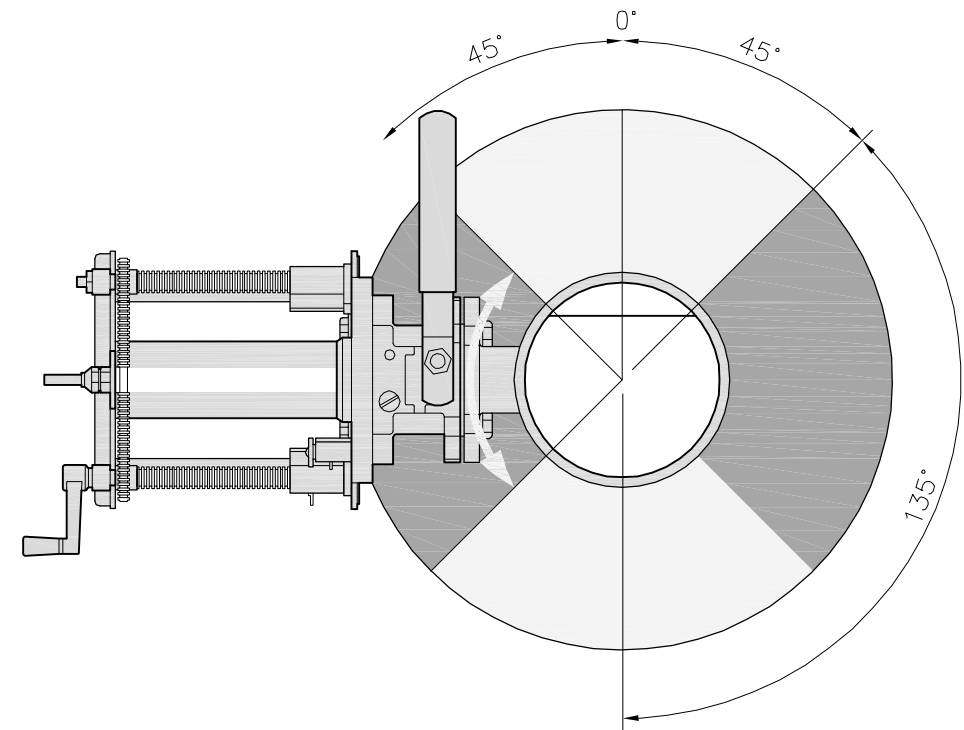


TO ENSURE A SUITABLE MEASURING POSITION, INSTALL THE PROBE TO THE FOLLOWING CONDITIONS:

- THE PROBE OPTICAL WINDOW MUST HAVE A GROUND CLEARANCE OF AT LEAST 30 CM (11.8 IN.).
- INSTALL THE PROBE WITH THE OPTICAL WINDOW FACING (DOWNSTREAM) IN THE DIRECTION OF THE FLOW TO MINIMIZE THE RISK OF FOULING.
- AVOID INSTALLATION SITES WHERE AIR BUBBLES ARE INCONSISTENT. IF THIS IS NOT POSSIBLE, TRY MOVING THE PROBE SLIGHTLY OR ADJUSTING ITS ALIGNMENT TO MINIMIZE THE BUBBLE EFFECT.
- PROTECT THE PROBE AGAINST THE ONCOMING FLOW OF LARGE OBJECTS, SUCH AS BRANCHES OR ICE AND AGAINST FLOW SURGES.
- AVOID INSTALLING THE PROBE WITH THE OPTICAL WINDOW FACING INTO DIRECT LIGHT OR FACING A HIGHLY-REFLECTIVE SURFACE.

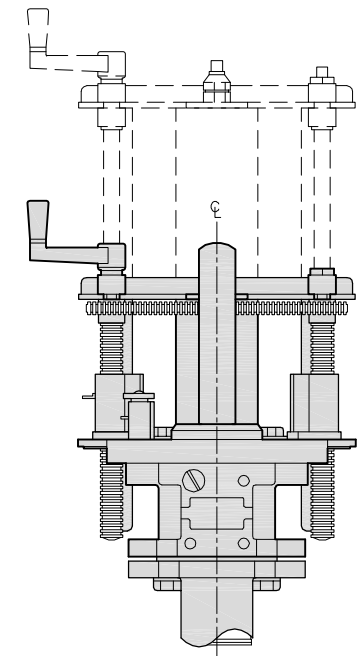
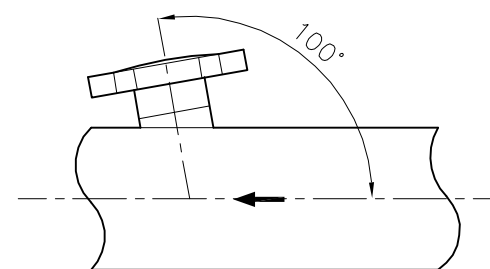
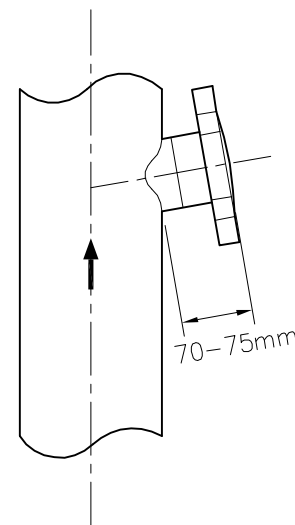
PIPE INSTALLATION

FOR INSTALLING SENSOR IN A PIPE THE FOLLOWING INSTALLATION KIT SHOULD BE USED.



NOTES:

1. IT IS RECOMMENDED TO COAT THE CARBON STEEL FLANGE WITH A PROTECTIVE COATING TO PROHIBIT RUST.
2. RECOMMENDED INSTALLATION ANGLE 45-135°
3. WELDED FLANGE CARBON STEEL LZx703
4. PIPE INSTALLATION LZx337
5. NO ONSITE WELDING ALLOWED. FABRICATE CARBON STEEL MOUNTING SYSTEM IN FACTORY.
6. EPOXY COAT INSIDE AND OUT AS PER SPECIFICATIONS.



<p>Certificate of Authorization Earth Tech Canada Inc. No. 730 Expiry: April 30, 2006</p>					ENGINEER'S SEAL ORIGINAL SIGNED BY S.W. TORMEY 2006/03/29	<p>THE CITY OF WINNIPEG WATER AND WASTE DEPARTMENT ENGINEERING DIVISION</p> <p>WATER TREATMENT PLANT MAIN BUILDING MECHANICAL AND ELECTRICAL</p> <p>AUTOMATION / I&C TURBIDITY / TSS SENSOR INSTALLATION DETAILS</p>	CITY FILE NUMBER
	DESIGNED BY NT CHECKED BY SWT		DRAWN BY SRP APPROVED BY AHL		SHEET OF		
	SCALE: NTS RELEASED FOR CONSTRUCTION BY: R. SOROKOWSKI		CONSULTANT DRAWING NO. WB-A0410		CITY DRAWING NUMBER		
	B.M. ELEV.	NO. ISSUED FOR TENDER 06/03/29 SRP	DATE 2006/01/03	DATE 2006/03/29	1-0601B-D-A0410-001-008		