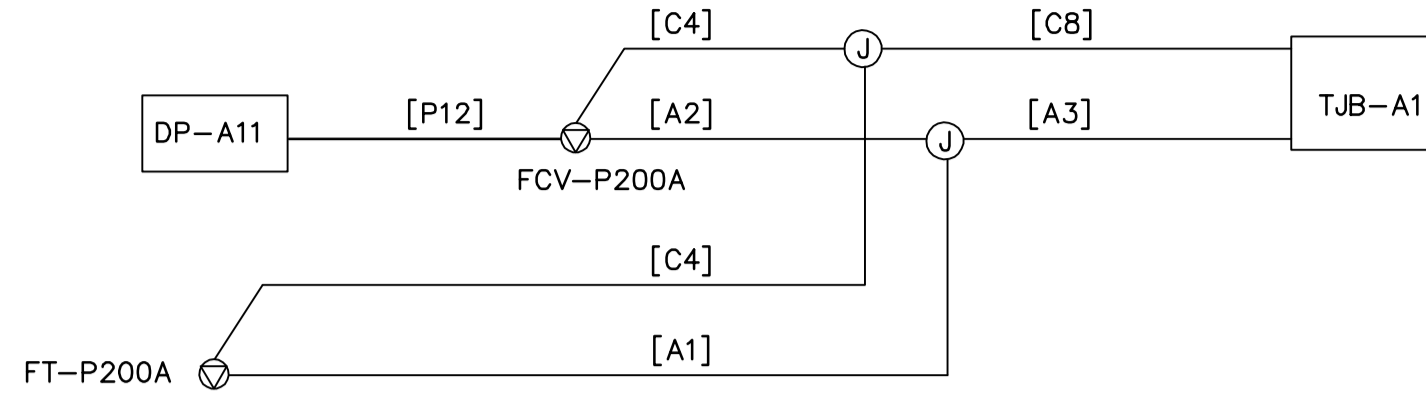
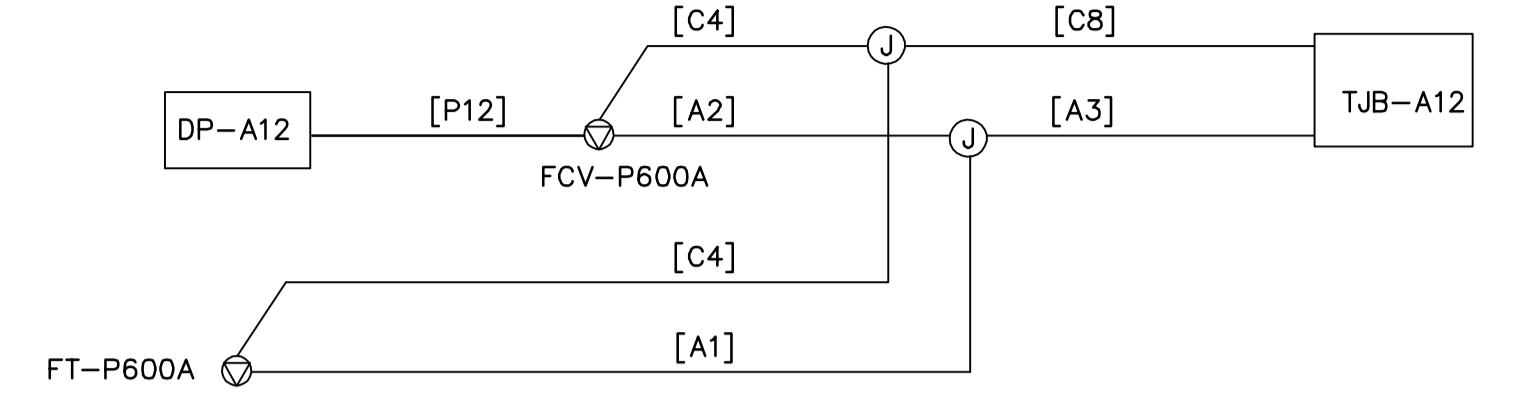


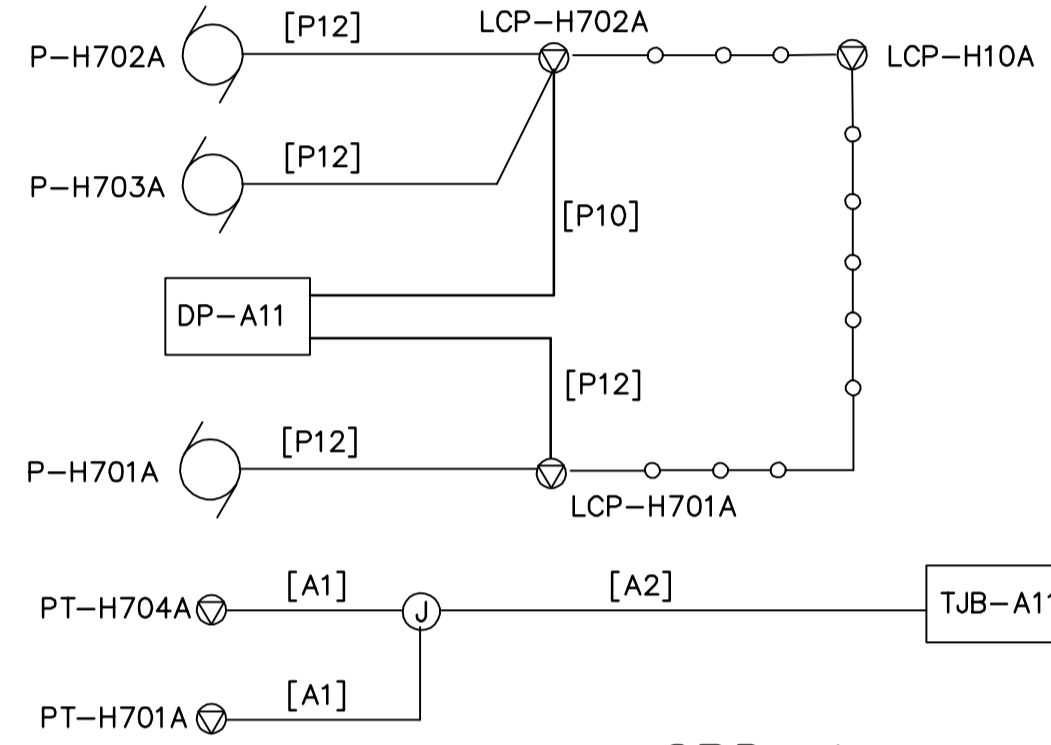
**CBD-A-8**



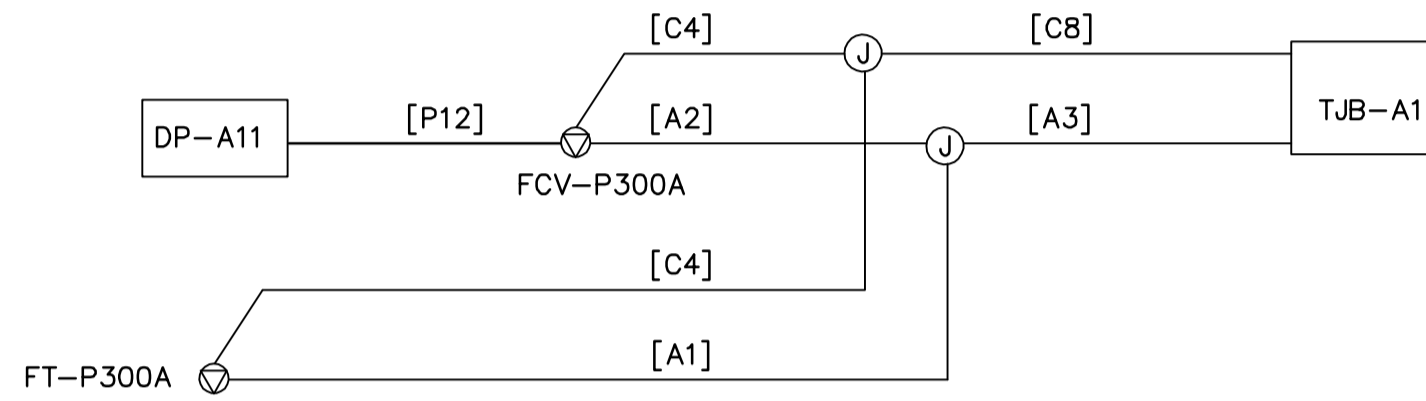
**CBD-A-10**



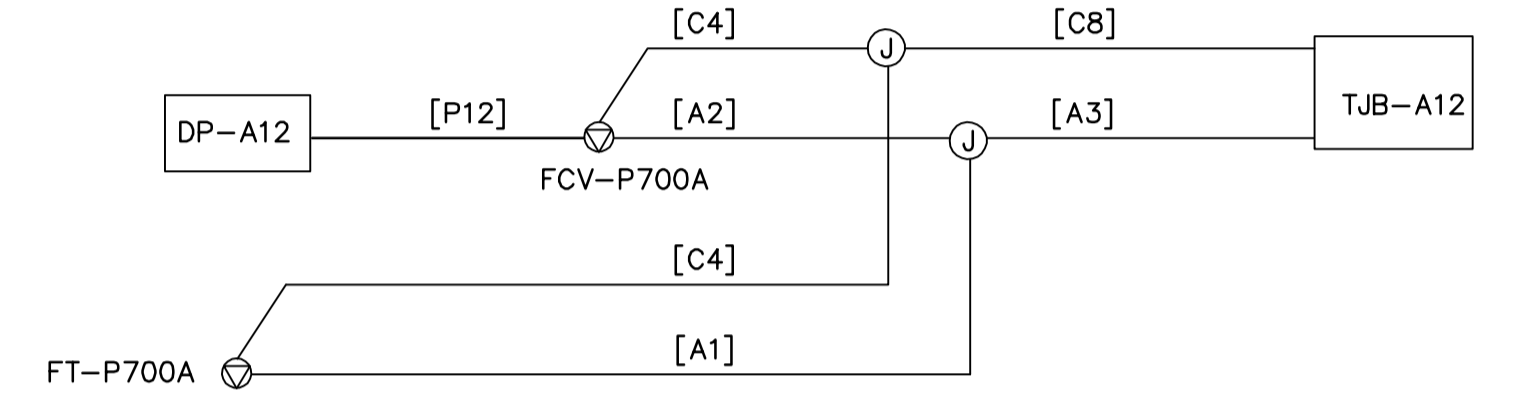
**CBD-A-14**



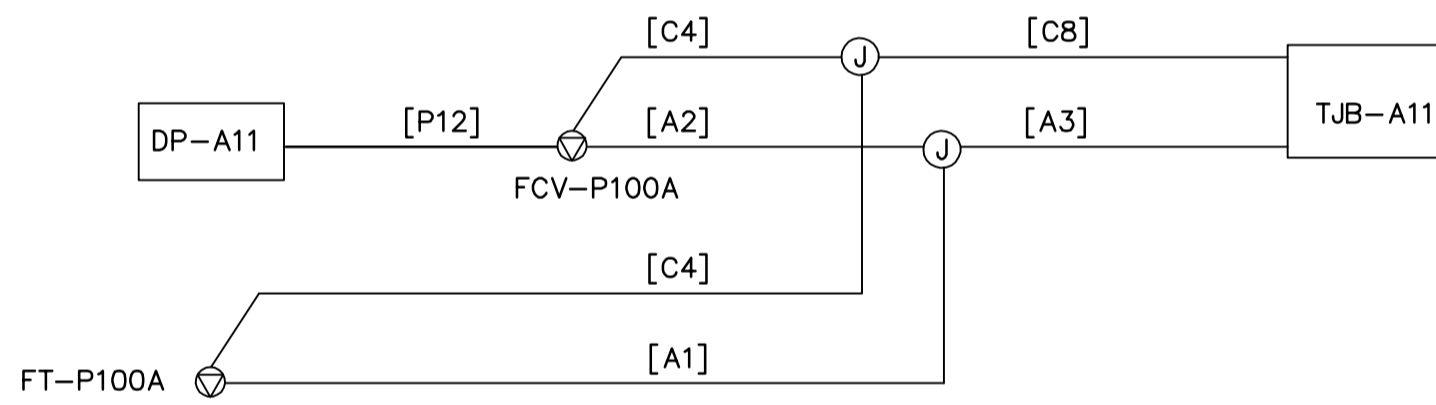
**CBD-A-8A**



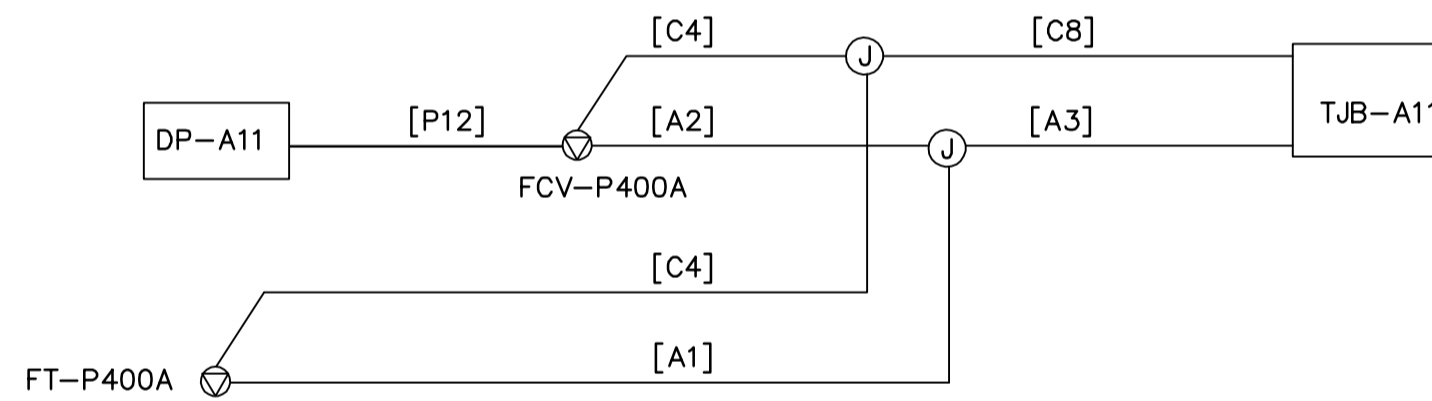
**CBD-A-11**



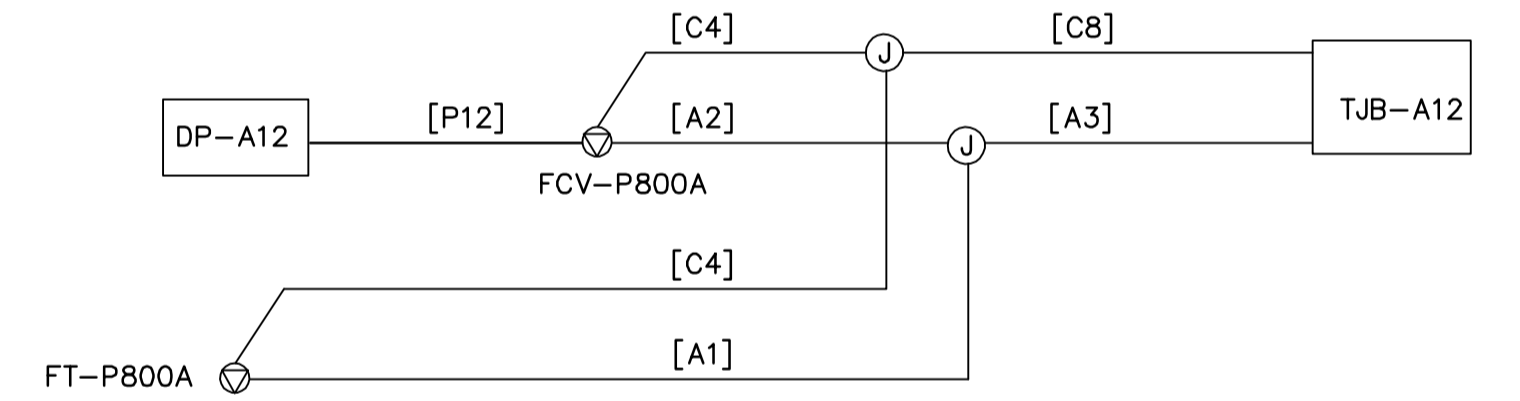
**CBD-A-15**



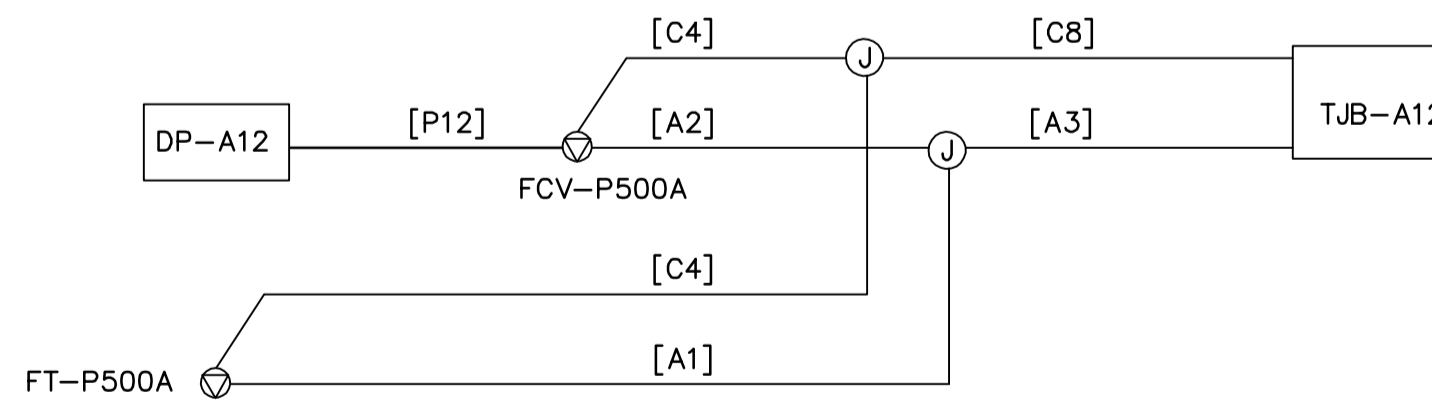
**CBD-A-9**



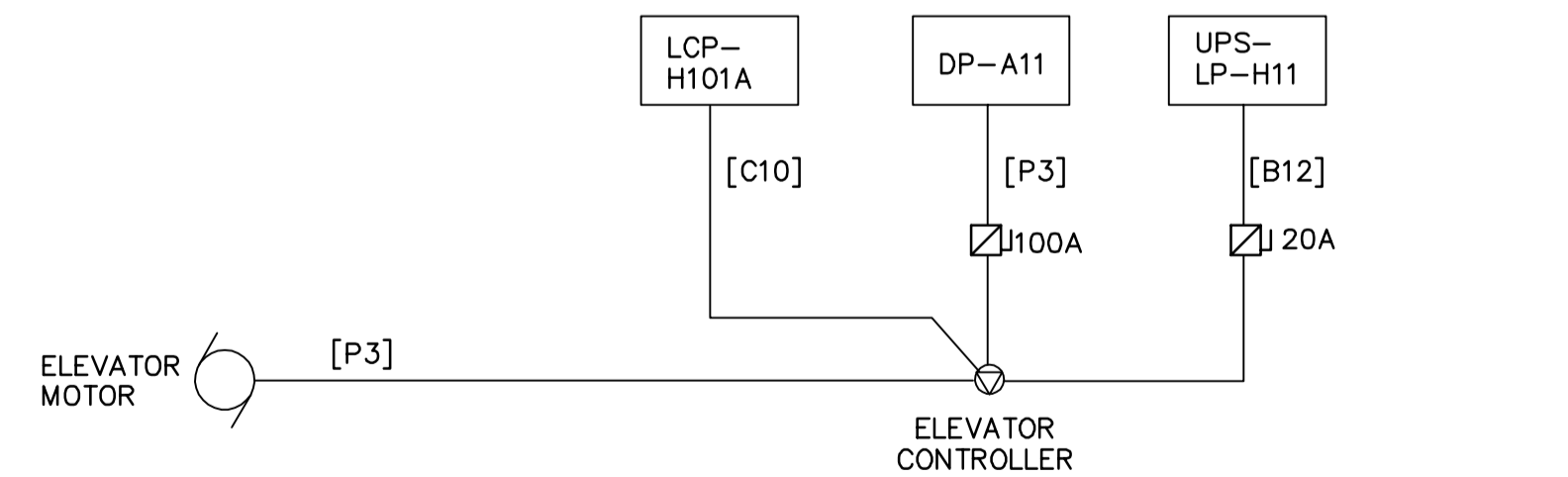
**CBD-A-12**



**CBD-A-16**



**CBD-A-13**



**CBD-A-17**



B.M. ELEV.			
DESIGNED BY	JT	CHECKED BY	ND
DRAWN BY	KJ	APPROVED BY	AHL
SCALE:	NTS	RELEASED FOR CONSTRUCTION BY:	R. SOROKOWSKI
DATE	2005/11/08	DATE	2006/03/29



ENGINEER'S SEAL
ORIGINAL SIGNED BY
L.D. LLEWELLYN
2006/03/29
CONSULTANT DRAWING NO.
WB-E0575

**THE CITY OF WINNIPEG**  
**WATER AND WASTE DEPARTMENT**  
**ENGINEERING DIVISION**

WATER TREATMENT PLANT  
 MAIN BUILDING  
 MECHANICAL AND ELECTRICAL

ELECTRICAL  
 CABLE BLOCK DIAGRAMS

CITY FILE NUMBER  
 SHEET OF  
 CITY DRAWING NUMBER  
 1-0601B-E-E0575-001-000