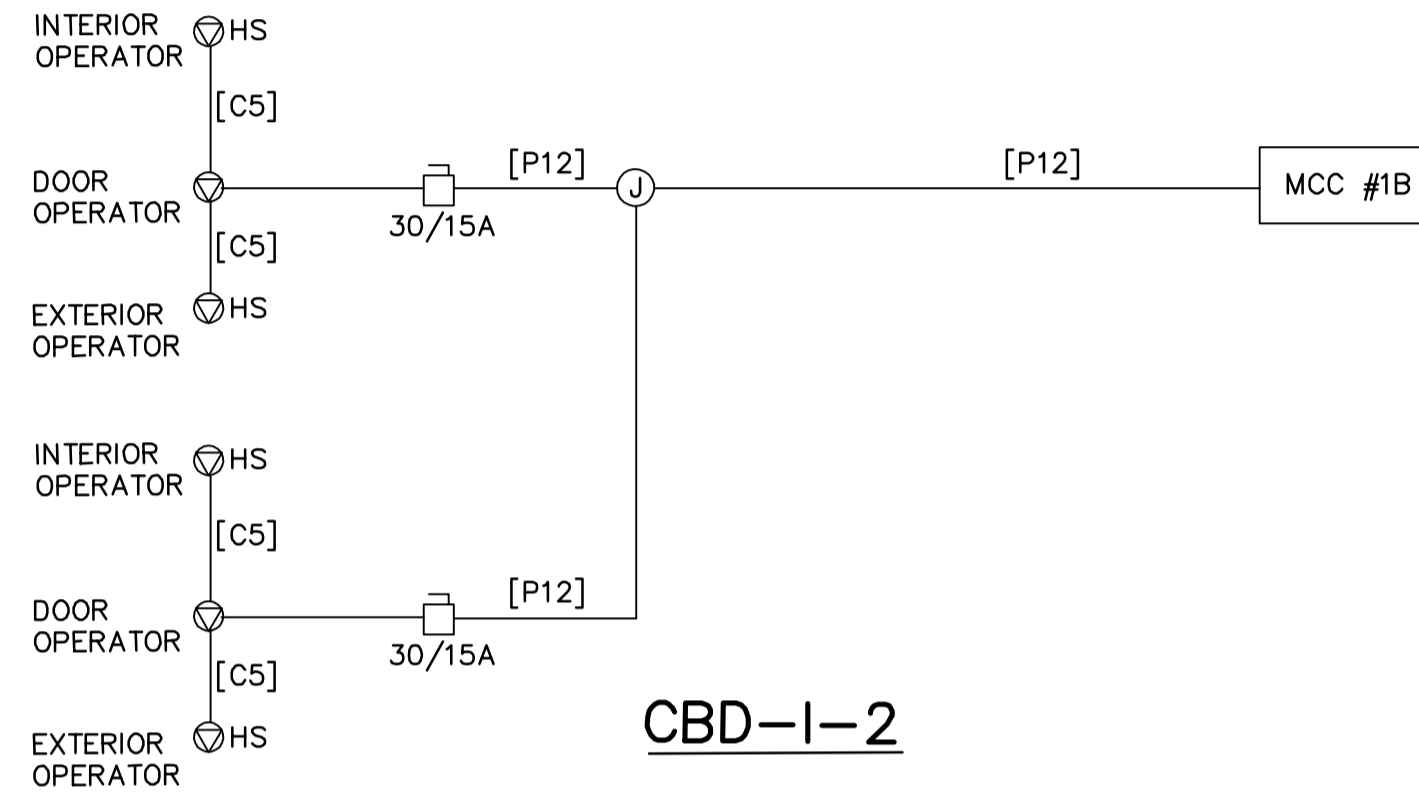
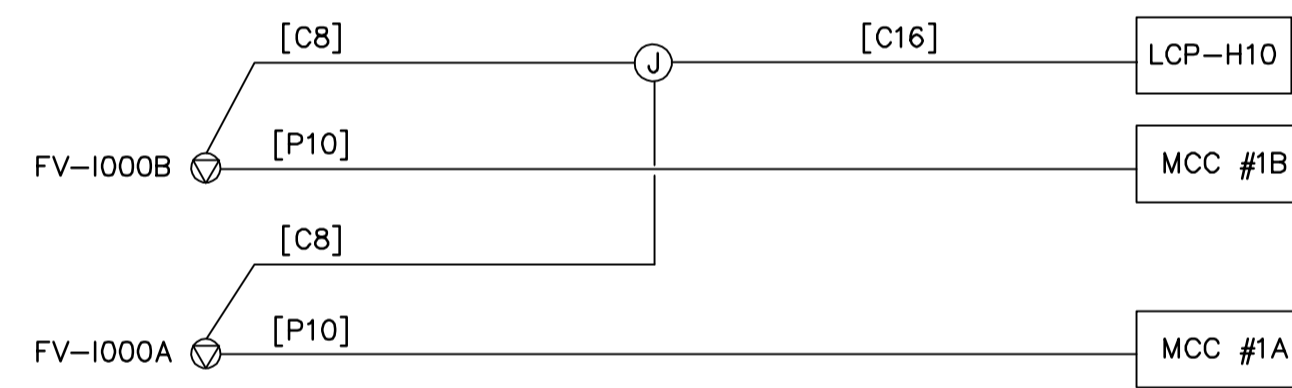


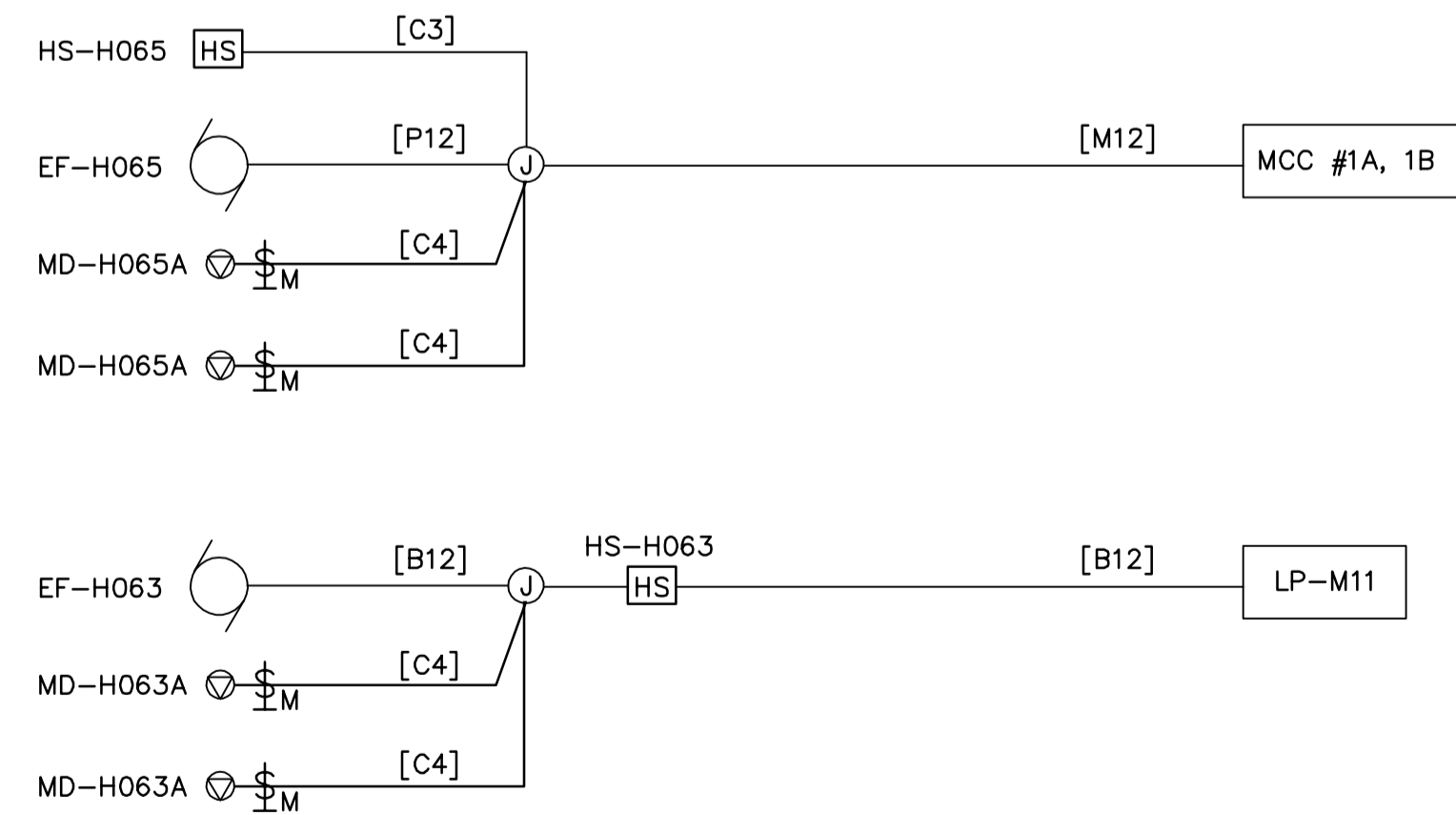
CBD-I-1



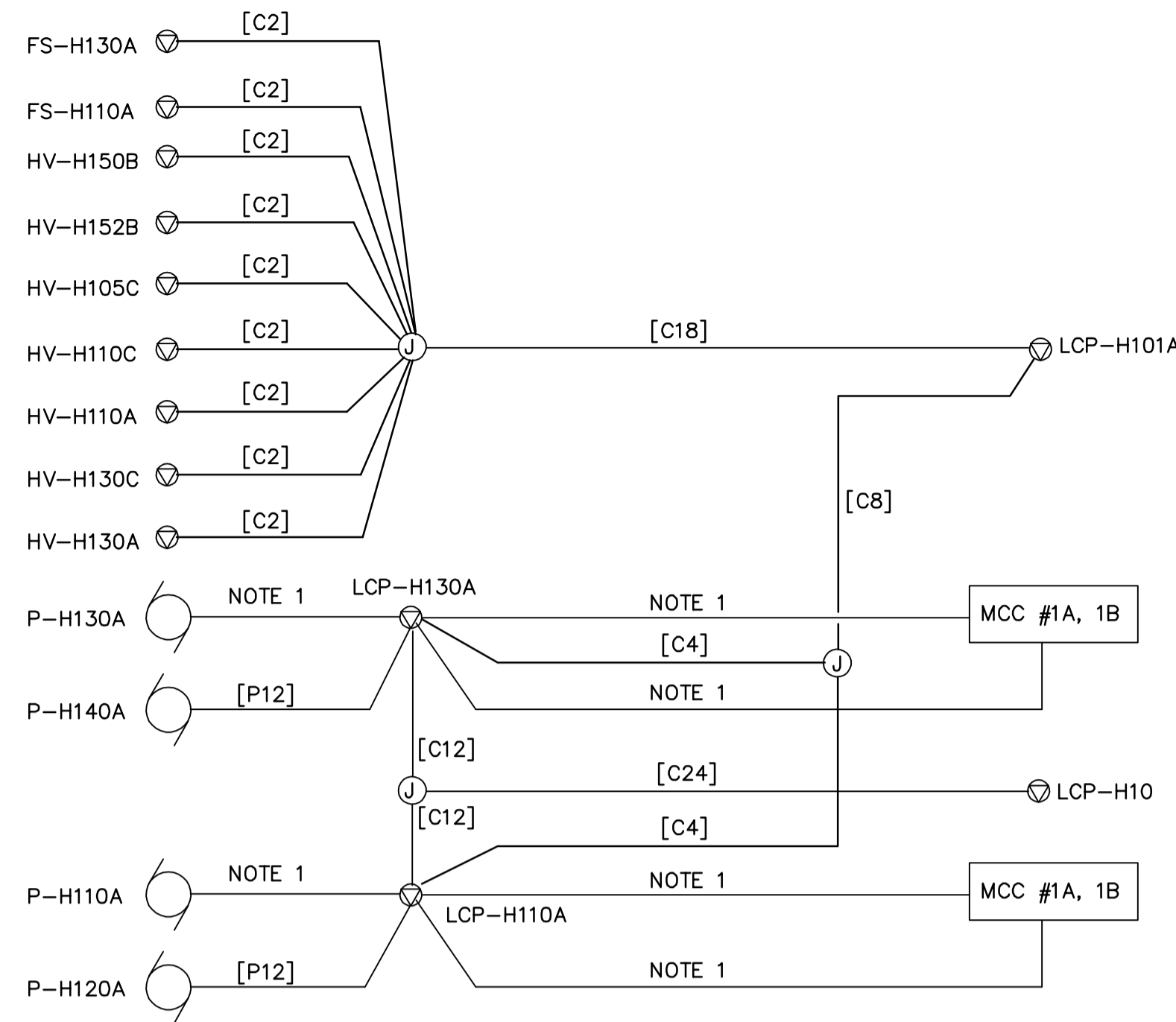
CBD-I-2



CBD-I-3

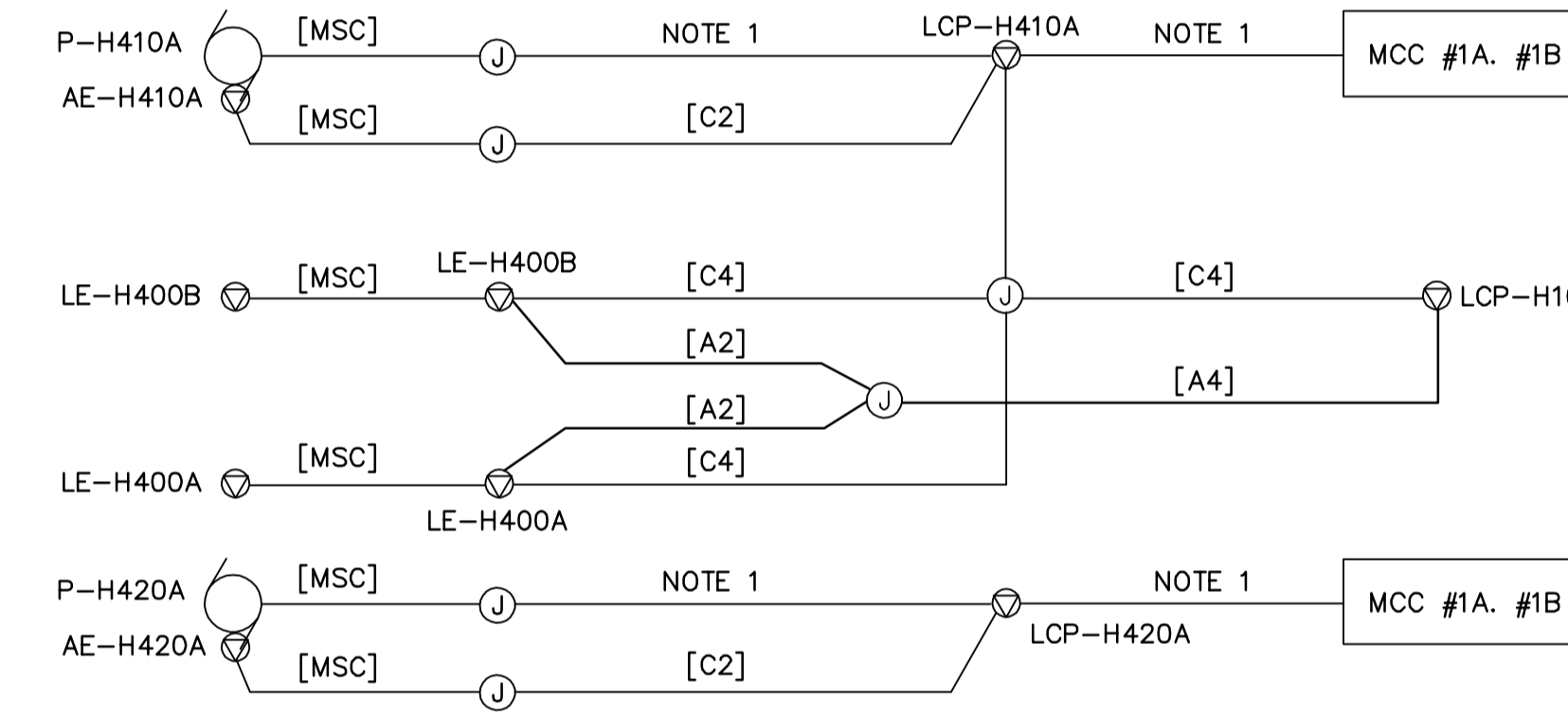


CBD-M-1

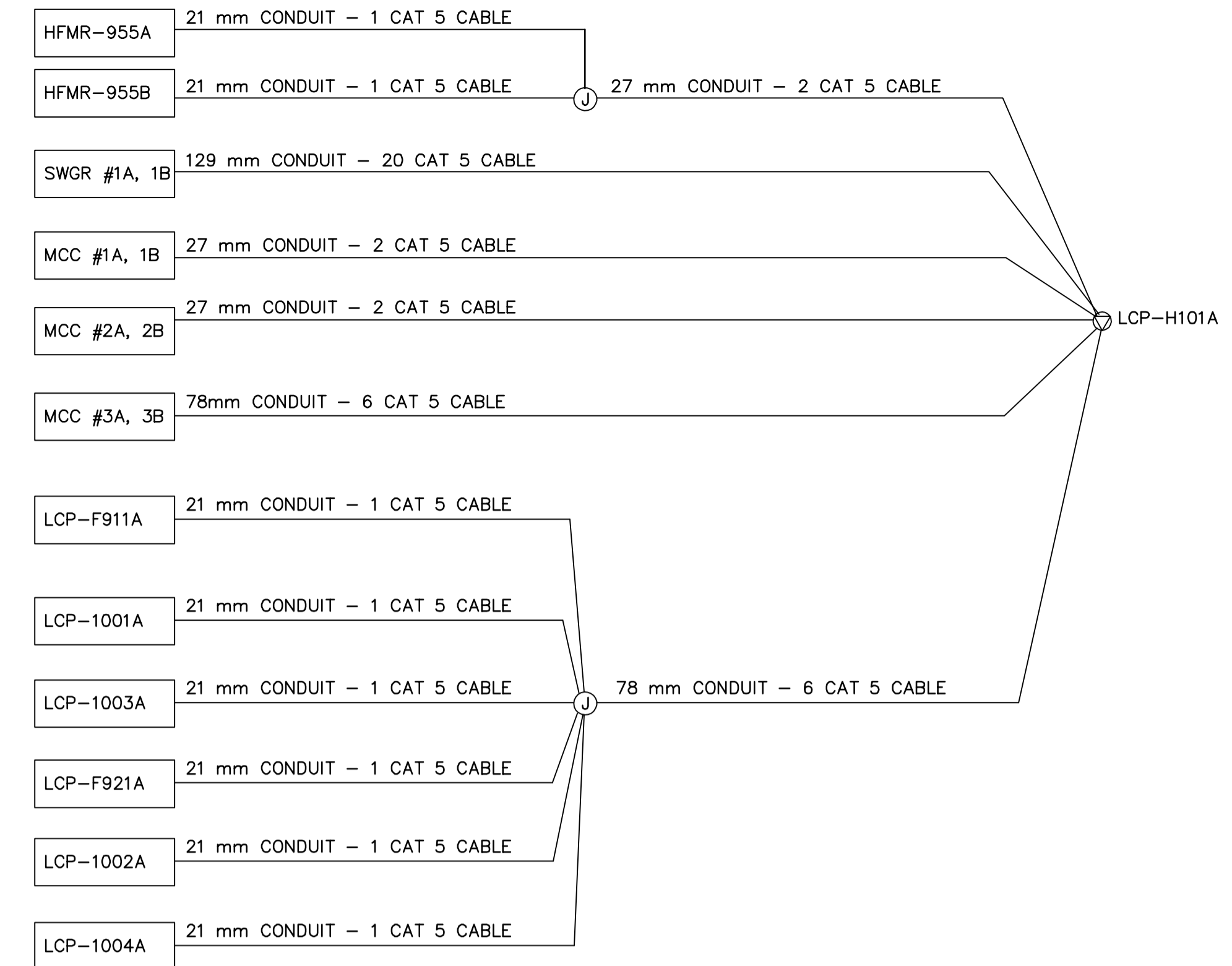


NOTE 1
1. SEE SINGLE LINE DIAGRAM FOR WIRING REQUIREMENT.

CBD-M-2



CBD-M-3



CBD-M-4



B.M. ELEV.			
DESIGNED BY	JT	CHECKED BY	ND
DRAWN BY	KJ	APPROVED BY	AHL
SCALE:	NTS	RELEASED FOR CONSTRUCTION BY:	R. SOROKOWSKI
ISSUED FOR TENDER	06/03/29	DATE	2005/11/08
NO. REVISIONS		DATE	2006/03/29



ENGINEER'S SEAL
ORIGINAL SIGNED BY
L.D. LLEWELLYN
2006/03/29
CONSULTANT DRAWING NO.
WB-E0577



WATER TREATMENT PLANT
MAIN BUILDING
MECHANICAL AND ELECTRICAL
ELECTRICAL
CABLE BLOCK DIAGRAMS
CITY FILE NUMBER
SHEET OF
CITY DRAWING NUMBER
1-0601B-E-E0577-001-000