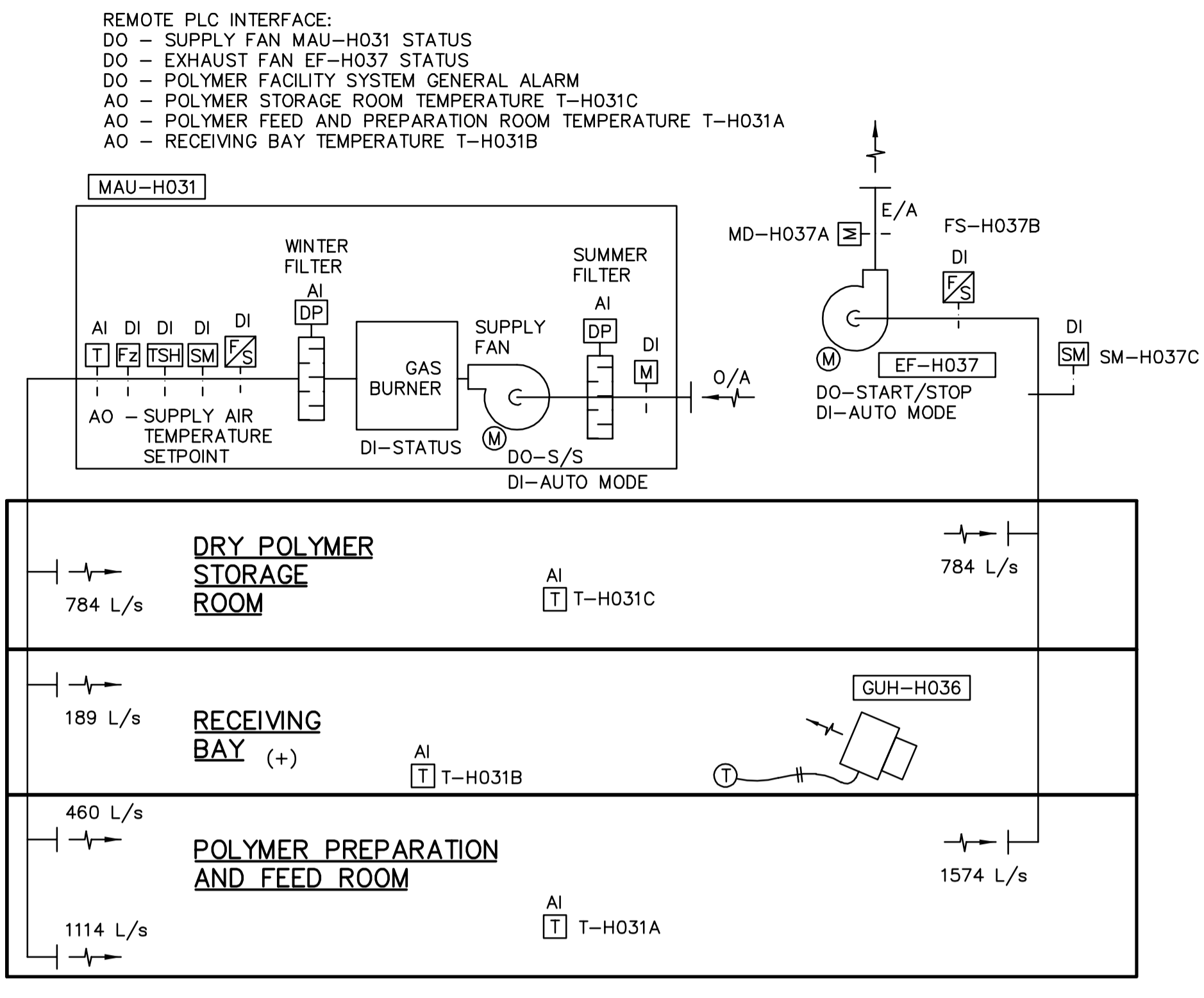
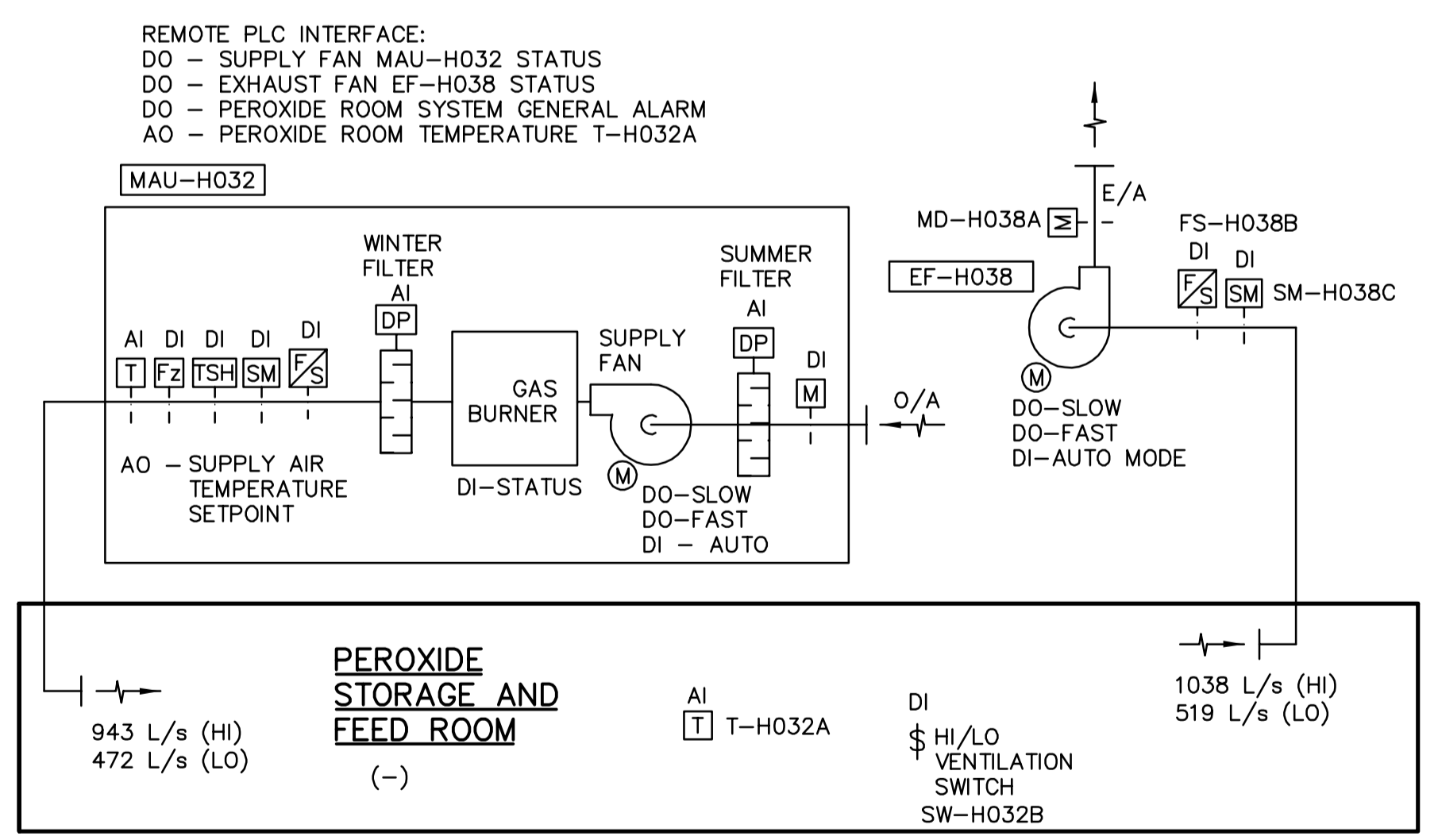


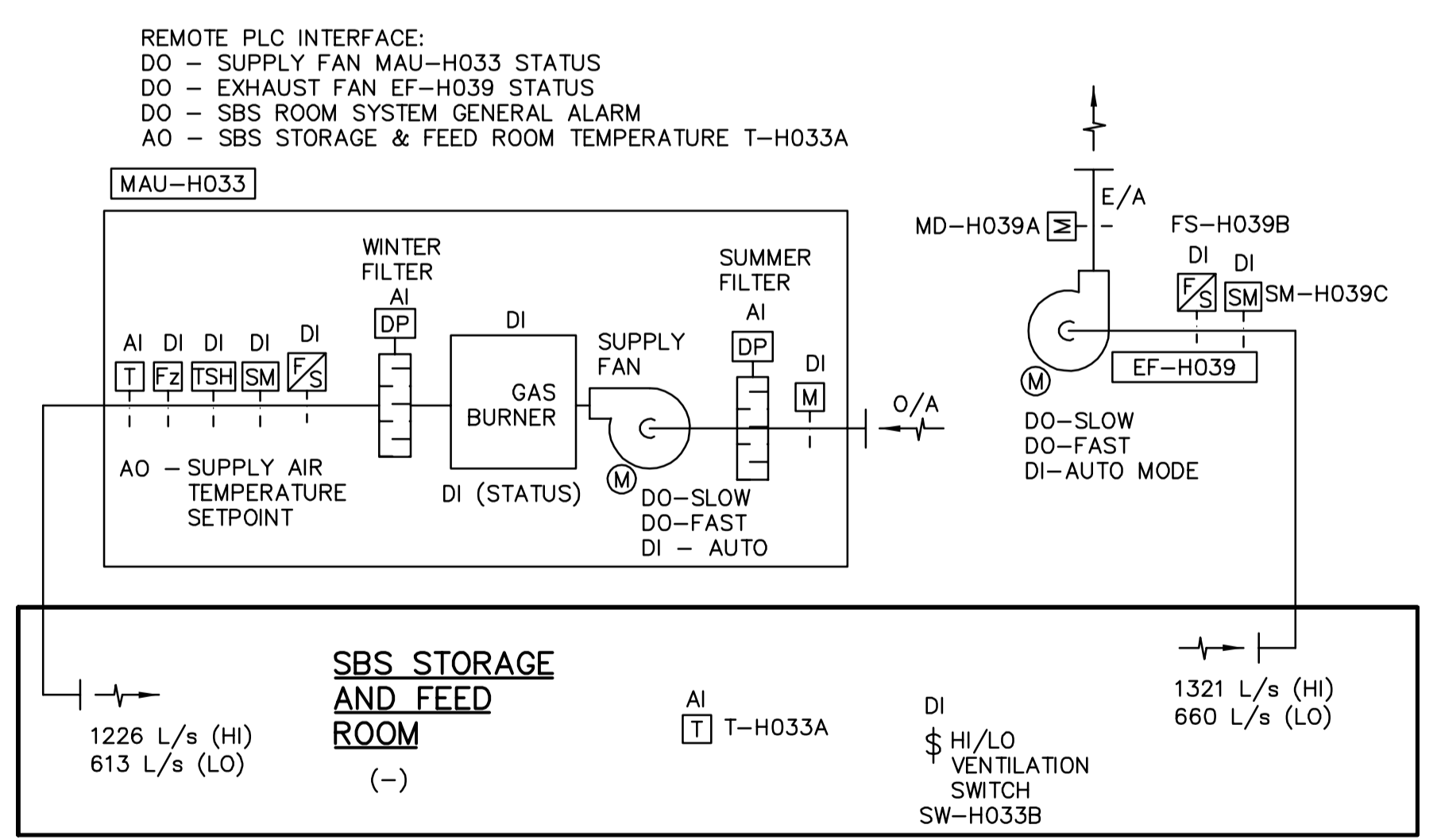
**OZONE GENERATOR ROOM HEATING AND VENTILATION SYSTEM**



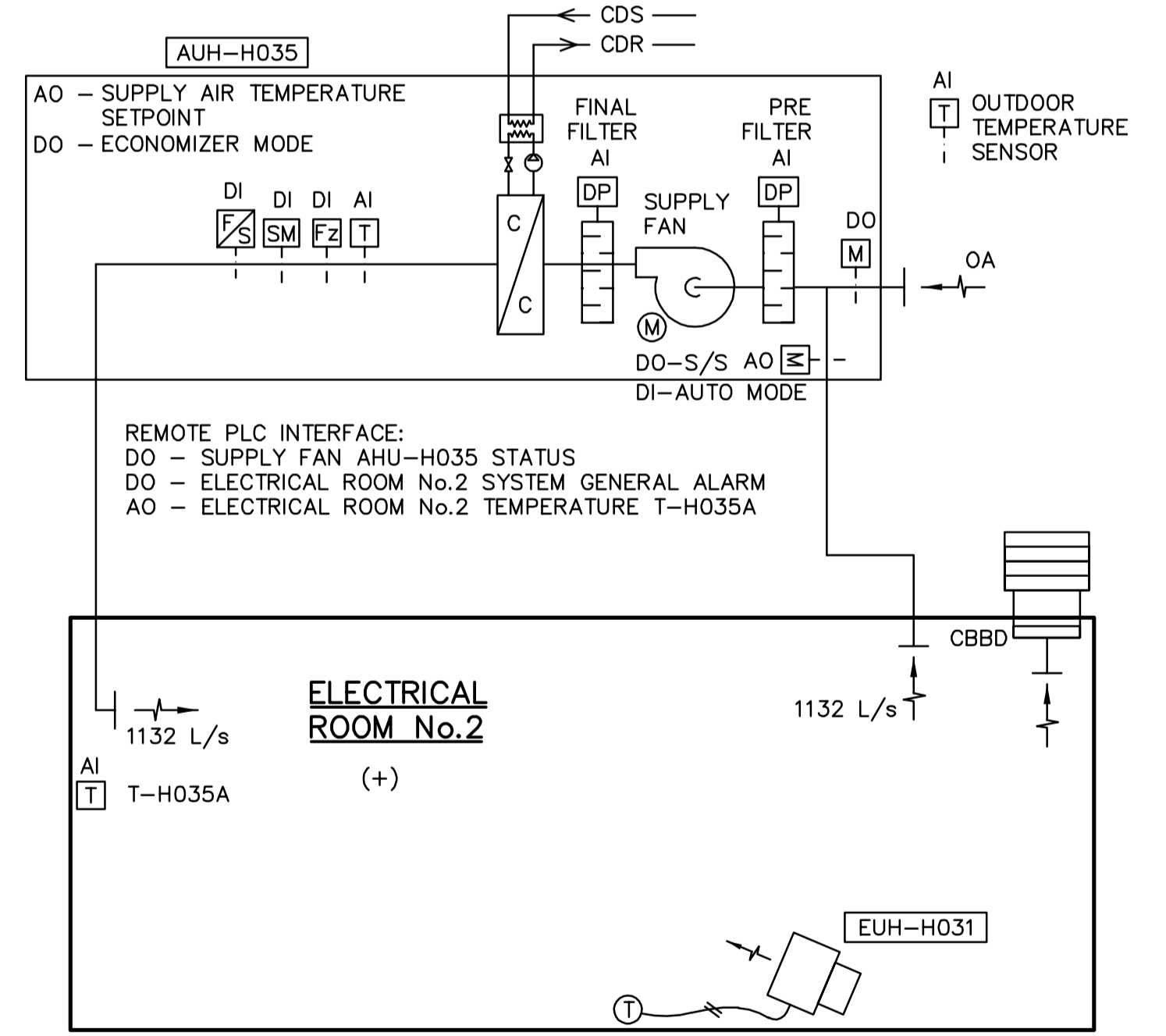
**POLYMER STORAGE ROOM HEATING AND VENTILATION SYSTEM**



**PEROXIDE STORAGE AND FEED ROOM HEATING AND VENTILATION SYSTEM**



**SBS STORAGE AND FEED ROOM HEATING AND VENTILATION SYSTEM**



**ELECTRICAL ROOM No.2 HEATING AND VENTILATION SYSTEM**

**GEN. NOTE:**  
 THESE DIAGRAMS ARE TO BE READ IN CONJUNCTION WITH CONTROL SEQUENCES DESCRIBED IN SECTION 15900 OF SPECIFICATIONS.

 <b>APEGN</b> Certificate of Authorization CH2M HILL Canada Ltd. No. 1441 Expiry: April 30, 2006	B.M. ELEV. DESIGNED BY: TT DRAWN BY: AM SCALE: NTS 00 ISSUED FOR TENDER 06/03/29 TT NO. REVISIONS DATE BY DATE 2005/07/04 DATE 2006/03/29	 Frederickson Cooper ARCHITECTS CHECKED BY: DL APPROVED BY: AHL RELEASED FOR CONSTRUCTION BY: R. SOROKOWSKI DATE 2006/03/29	ENGINEER'S SEAL ORIGINAL SIGNED BY: D.K. CUDDINGTON 2006/03/29 CONSULTANT DRAWING NO. WB-H0502	 <b>THE CITY OF WINNIPEG</b> WATER AND WASTE DEPARTMENT ENGINEERING DIVISION WATER TREATMENT PLANT MAIN BUILDING MECHANICAL AND ELECTRICAL HVAC SCHEMATIC	CITY FILE NUMBER SHEET OF CITY DRAWING NUMBER 1-0601B-G-H0502-001-000
			DESIGNED BY: TT CHECKED BY: DL		
			APPROVED BY: AHL RELEASED FOR CONSTRUCTION BY: R. SOROKOWSKI		
			DATE 2006/03/29		