

COW-A3 (02/2006)

FLOW SENSOR TRANSMITTER

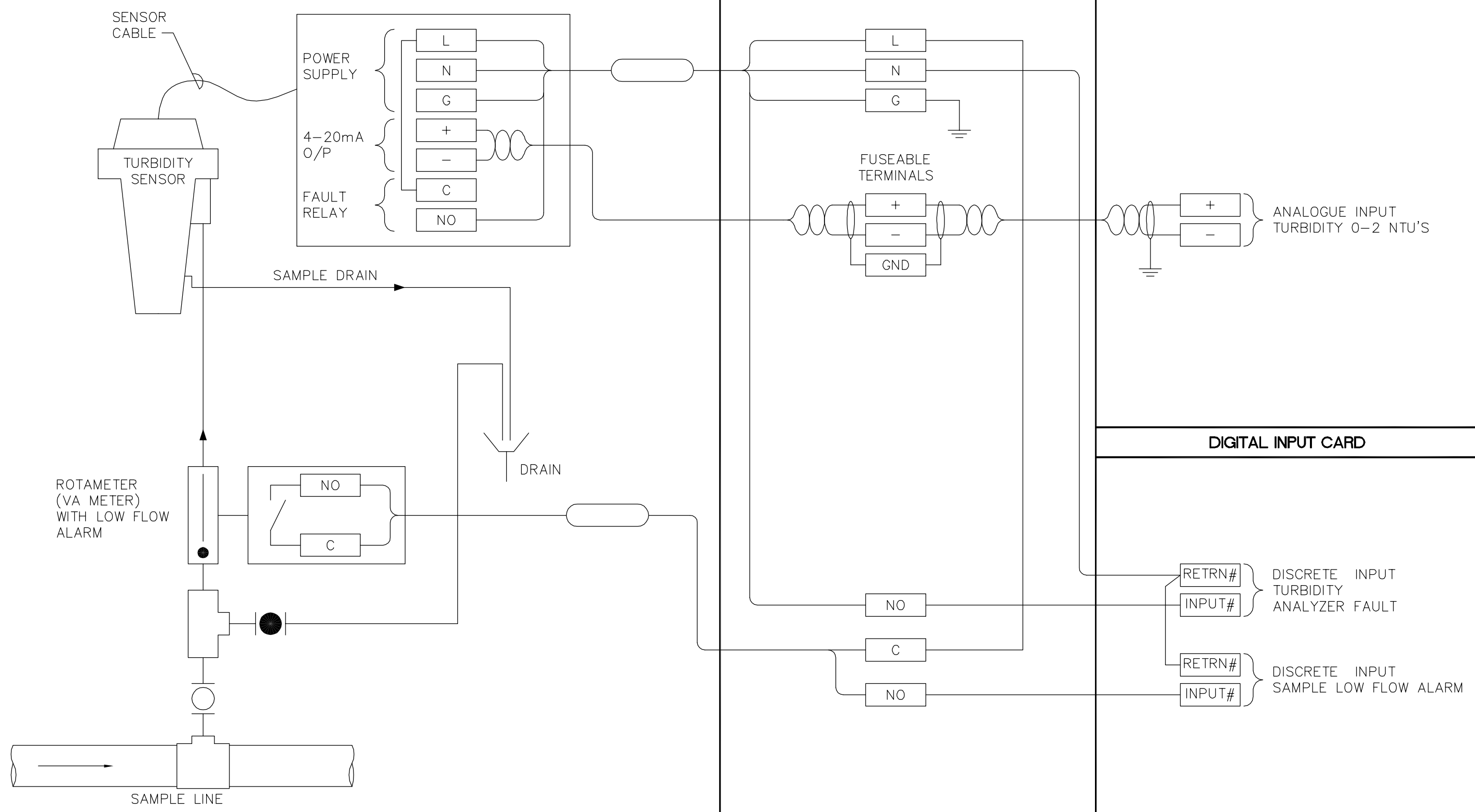
CONTROL PANEL

FIELD CABLE TERMINALS

PLC SECTION

INSTRUMENT POWER SUPPLY BOARD

ANALOGUE INPUT CARD



<p>APEGA Certificate of Authorization Earth Tech Canada Inc. No. 730 Expiry: April 30, 2006</p>	B.M. ELEV.	<p>CHEM-HILL Frederickson Cooper A CONSULTANT</p>	<p>Earth Tech A TIA Group Company</p>	ENGINEER'S SEAL	<p>THE CITY OF WINNIPEG WATER AND WASTE DEPARTMENT ENGINEERING DIVISION</p>		
				DESIGNED BY: NT		CHECKED BY: SWT	ORIGINAL SIGNED BY: S.W. TORMEY
				DRAWN BY: CPG		APPROVED BY: AHL	2006/03/29
				SCALE: NTS		RELEASED FOR CONSTRUCTION BY: R. SOROKOWSKI	CONSULTANT DRAWING NO. WB-A0459
	NO. ISSUED FOR TENDER: 06/03/29	DATE BY: GLG	DATE: 2005/06/07	DATE: 2006/03/29	<p>WATER TREATMENT PLANT MAIN BUILDING MECHANICAL AND ELECTRICAL</p> <p>AUTOMATION / I&C TYPICAL TURBIDITY ANALYZER INSTRUMENTATION LOOP DIAGRAM</p>		
	NO. REVISIONS	DATE	DATE	DATE	<p>CITY FILE NUMBER</p> <p>SHEET OF</p> <p>CITY DRAWING NUMBER</p> <p>1-0601B-H-A0459-001-00B</p>		