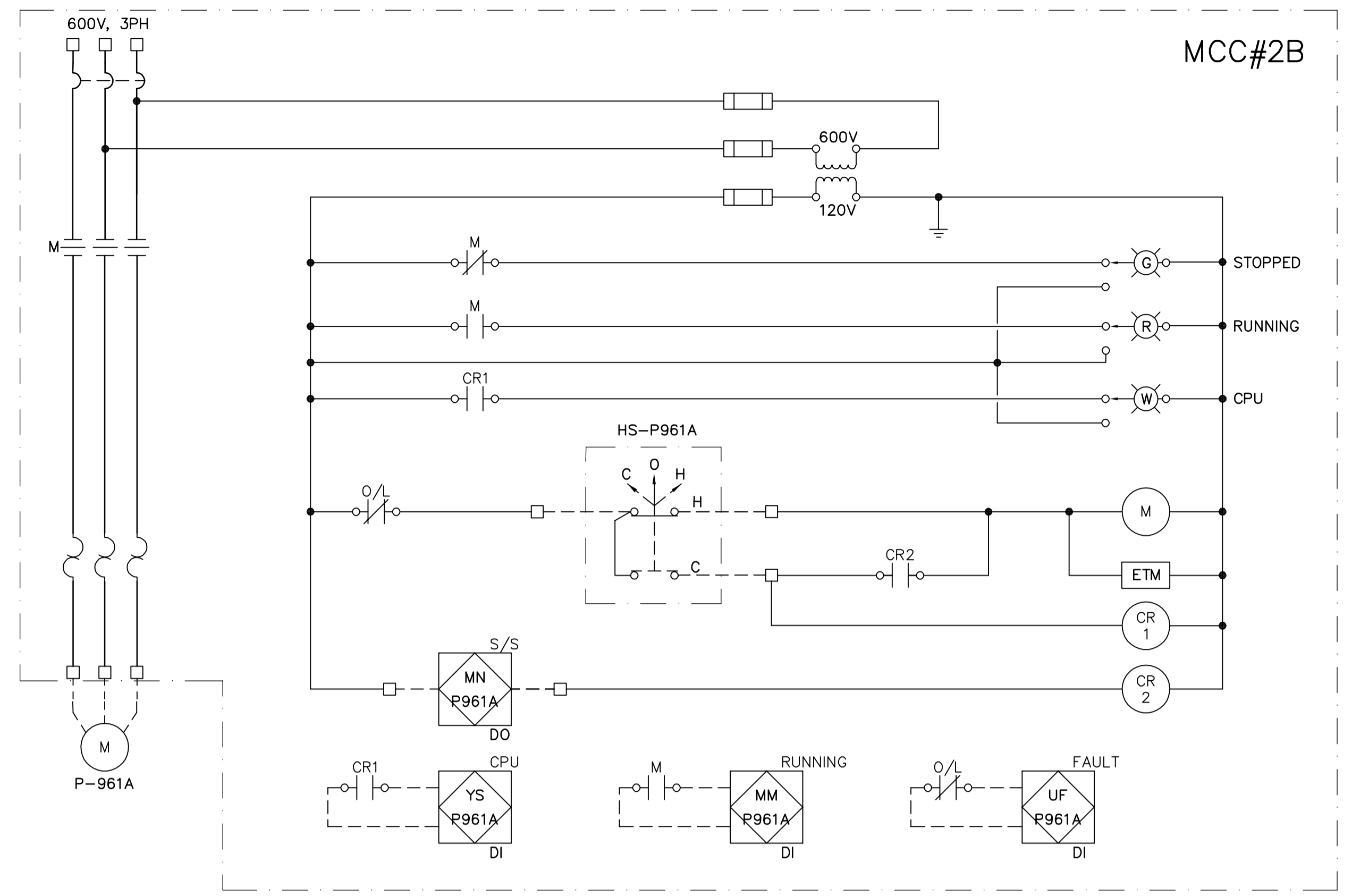
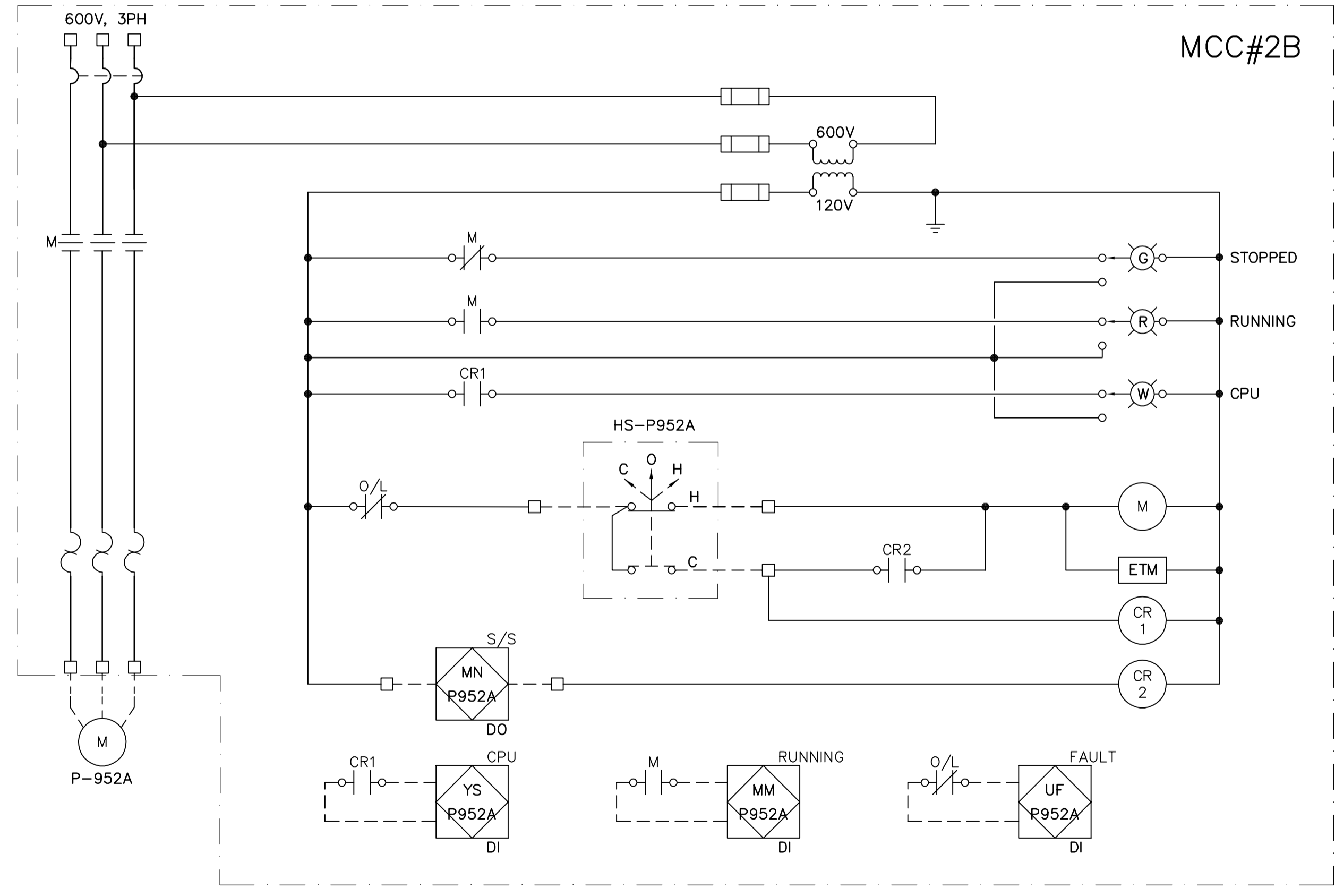


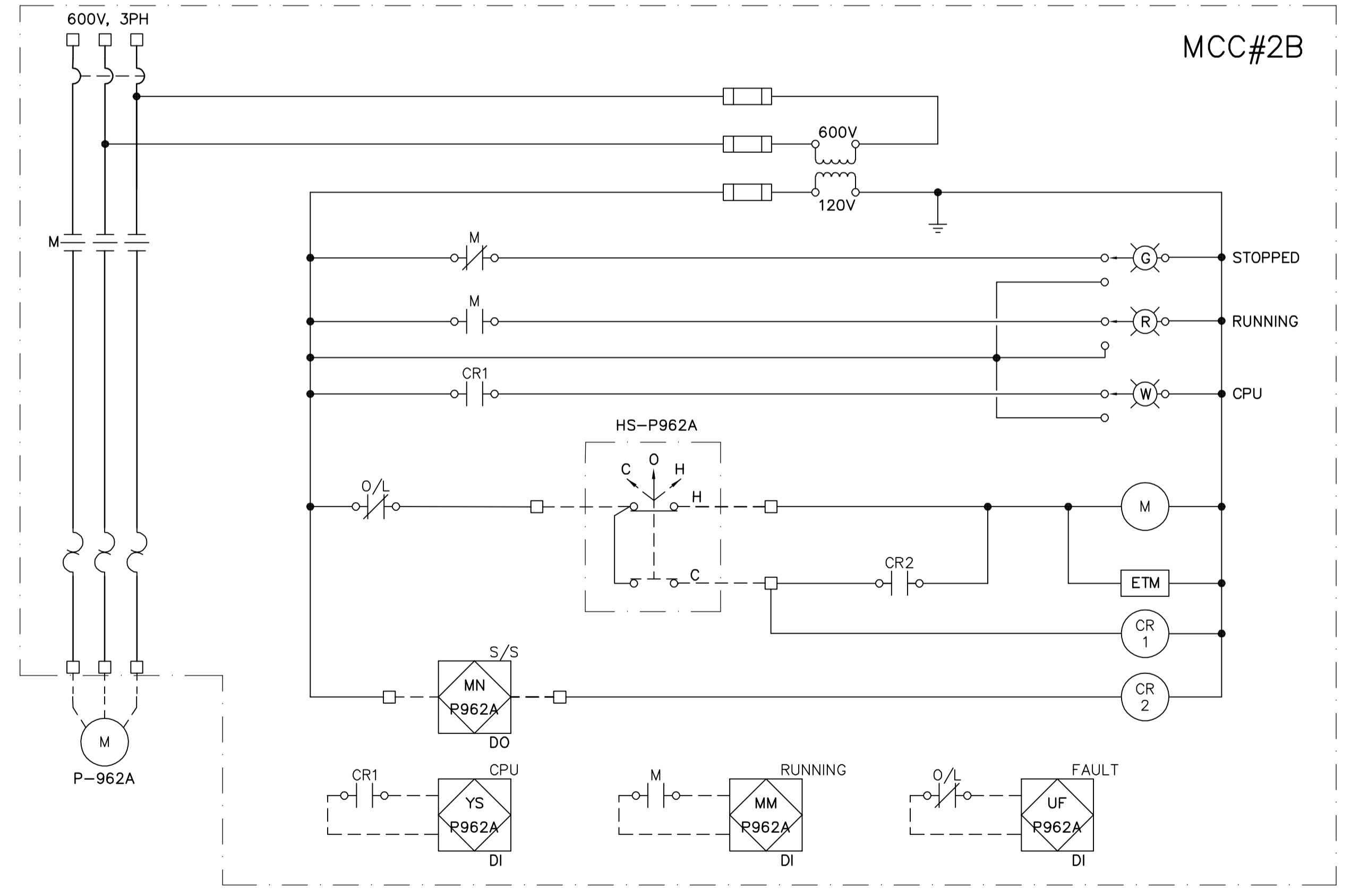
FLOAT TRANSFER PUMP 5 (P-951A)



FLOAT TRANSFER PUMP 7 (P-961A)



FLOAT TRANSFER PUMP 6 (P-952A)



FLOAT TRANSFER PUMP 8 (P-962A)



NO.	REVISIONS	DATE	BY
00	ISSUED FOR TENDER	06/03/29	LL

DESIGNED BY	JT	CHECKED BY	ND
DRAWN BY	KJ	APPROVED BY	AHL
SCALE:	NTS	RELEASED FOR CONSTRUCTION BY:	R. SOROKOWSKI
DATE	2005/11/08	DATE	2006/03/29

ENGINEER'S SEAL
 ORIGINAL SIGNED BY
 L.D. LLEWELLYN
 2006/03/29
 CONSULTANT DRAWING NO.
 WB-E0544

THE CITY OF WINNIPEG
 WATER AND WASTE DEPARTMENT
 ENGINEERING DIVISION

WATER TREATMENT PLANT
 MAIN BUILDING
 MECHANICAL AND ELECTRICAL

ELECTRICAL
 CONTROL DIAGRAM

CITY FILE NUMBER
 SHEET OF
 CITY DRAWING NUMBER
 1-0601B-H-E0544-001-000