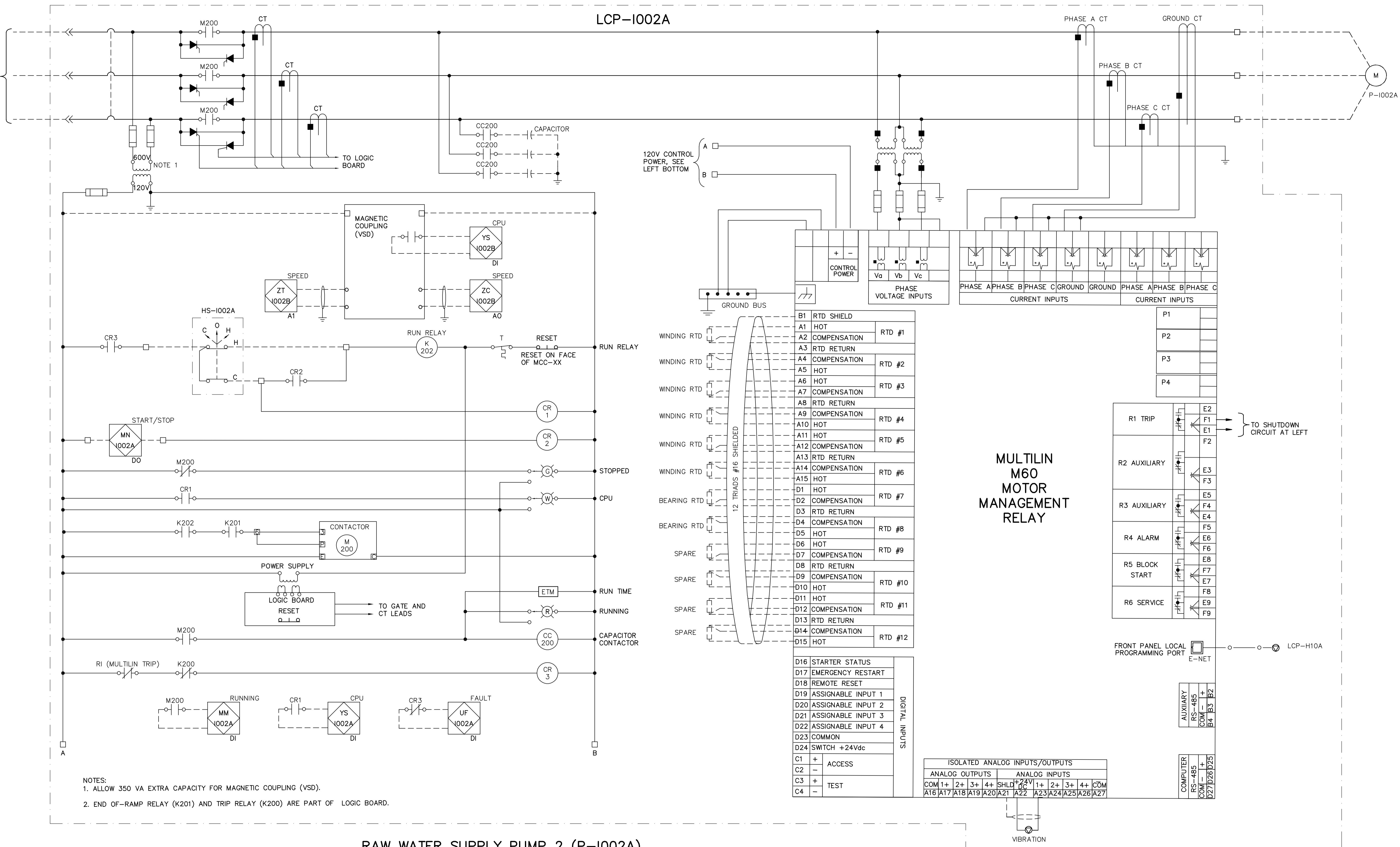


LCP-1002A



NOTES:
 1. ALLOW 350 VA EXTRA CAPACITY FOR MAGNETIC COUPLING (VSD).
 2. END OF-RAMP RELAY (K201) AND TRIP RELAY (K200) ARE PART OF LOGIC BOARD.

RAW WATER SUPPLY PUMP 2 (P-1002A)

<p>APEGN Certificate of Authorization CH2M HILL Canada Ltd. No. 1441 Expiry: April 30, 2006</p>	<p>Frederickson Cooper ARCHITECTS</p>	<p>A 100 International Ltd. Company</p>	ENGINEER'S SEAL ORIGINAL SIGNED BY L.D. LLEWELLYN 2006/03/29	<p>THE CITY OF WINNIPEG WATER AND WASTE DEPARTMENT ENGINEERING DIVISION</p> <p>WATER TREATMENT PLANT MAIN BUILDING MECHANICAL AND ELECTRICAL</p> <p>ELECTRICAL CONTROL DIAGRAM</p>
	DESIGNED BY JT CHECKED BY ND DRAWN BY KJ APPROVED BY AHL	SCALE: NTS RELEASED FOR CONSTRUCTION BY: R. SOROKOWSKI	CONSULTANT DRAWING NO. WB-E0546	
	00 ISSUED FOR TENDER 06/03/29 LL	DATE 2005/11/08 DATE 2006/03/29	CITY FILE NUMBER SHEET OF CITY DRAWING NUMBER 1-0601B-H-E0546-001-000	
	NO. REVISIONS DATE BY	DATE 2005/11/08 DATE 2006/03/29	DATE 2005/11/08 DATE 2006/03/29	