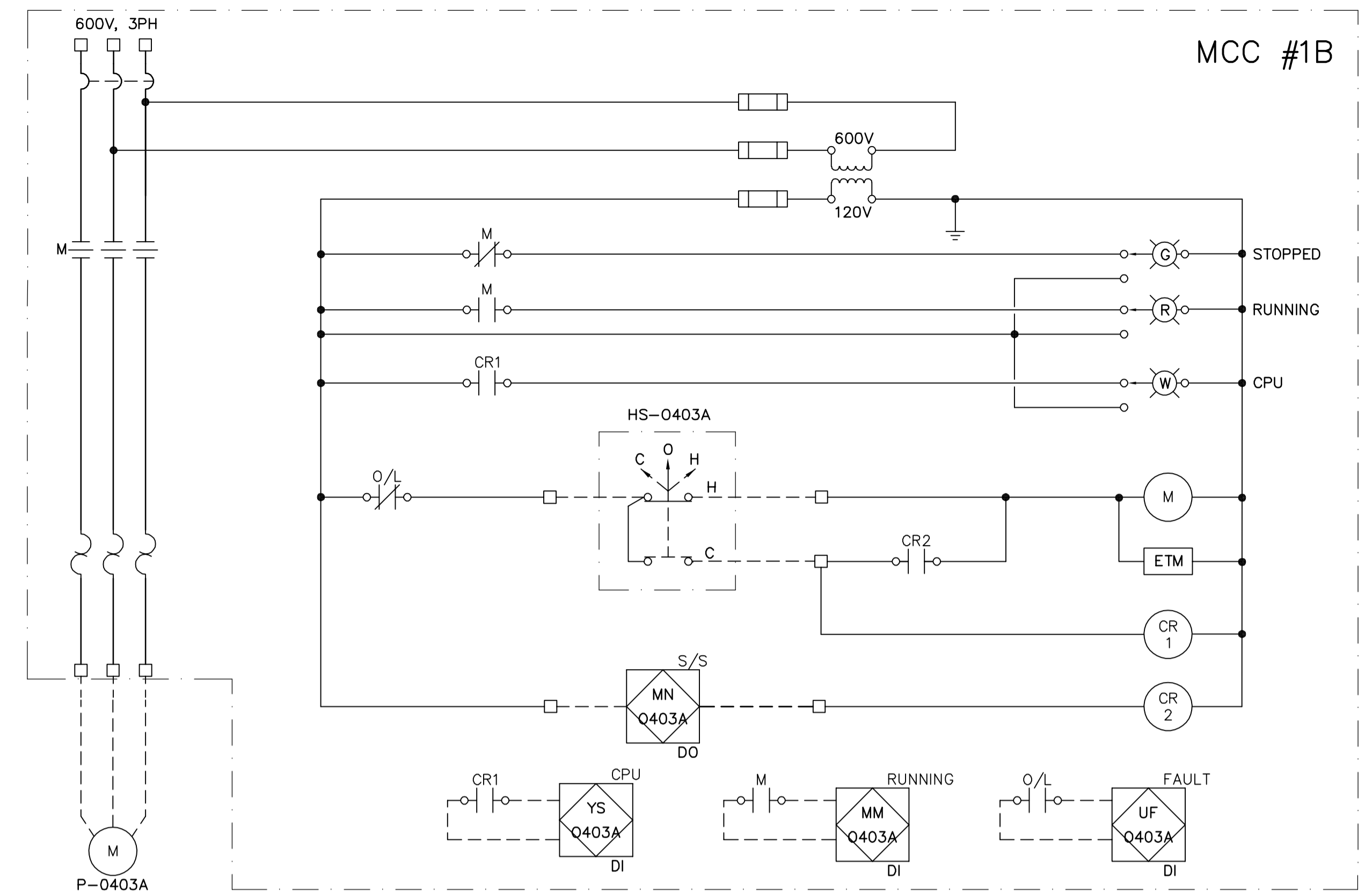
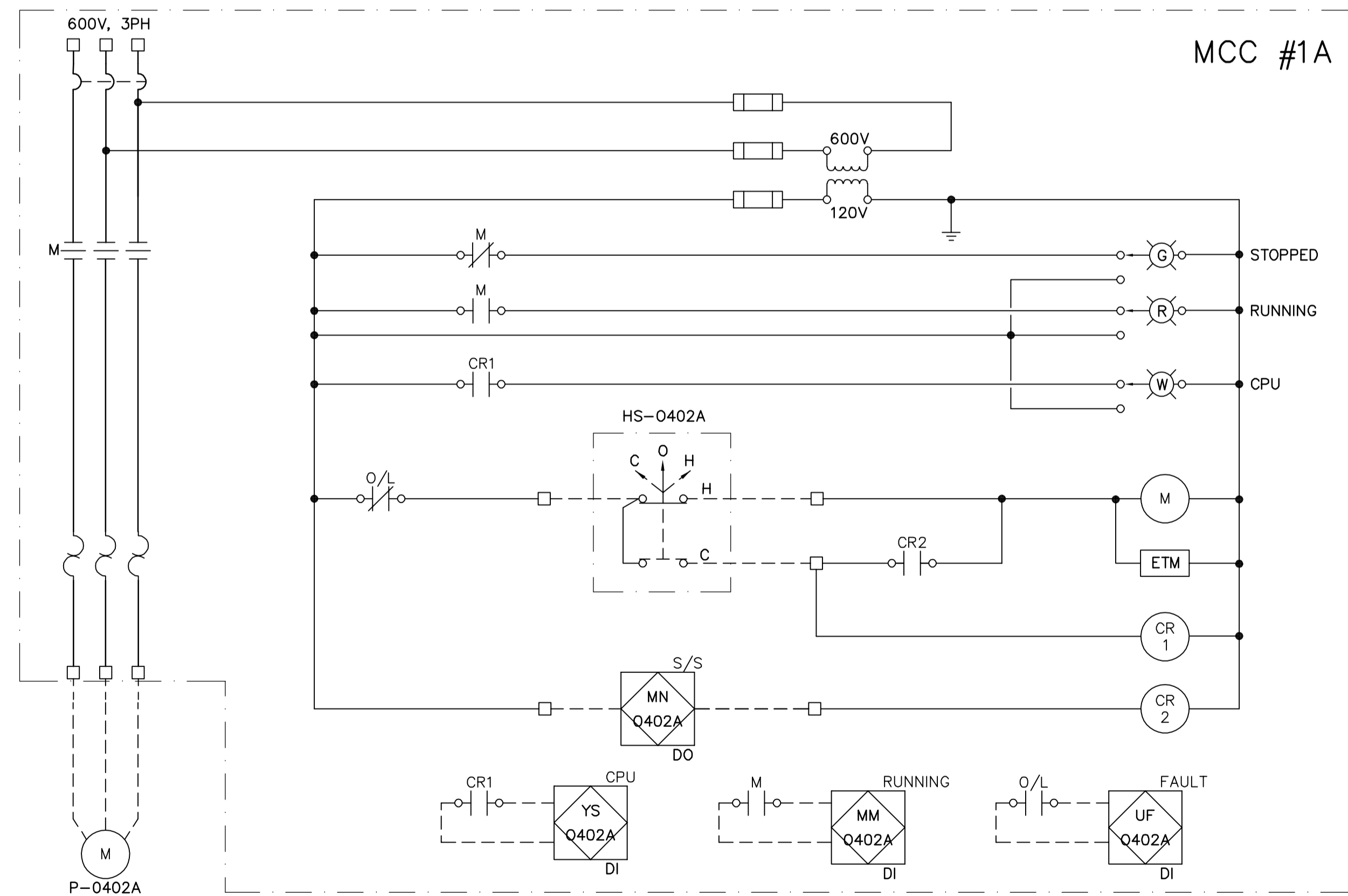






**OPEN LOOP COOLING WATER PUMP #1 (P-0401A)**



**OPEN LOOP COOLING WATER PUMP #3 (P-0403A)**



**OPEN LOOP COOLING WATER PUMP #2 (P-0402A)**

 <b>Certificate of Authorization</b> CH2M HILL Canada Ltd. No. 1441 Expiry: April 30, 2006	B.M. ELEV.	 Frederickson Cooper ARCHITECTS	 A You International Ltd. Company	ENGINEER'S SEAL  ORIGINAL SIGNED BY L.D. LLEWELLYN 2006/03/29	 <b>THE CITY OF WINNIPEG</b> WATER AND WASTE DEPARTMENT ENGINEERING DIVISION
	DESIGNED BY JT CHECKED BY ND DRAWN BY KJ APPROVED BY AHL SCALE: NTS RELEASED FOR CONSTRUCTION BY: R. SOROKOWSKI DATE 2005/11/08 DATE 2006/03/29	CONSULTANT DRAWING NO. WB-E0550	WATER TREATMENT PLANT MAIN BUILDING MECHANICAL AND ELECTRICAL ELECTRICAL CONTROL DIAGRAM	CITY FILE NUMBER SHEET OF CITY DRAWING NUMBER 1-0601B-H-E0550-001-000	