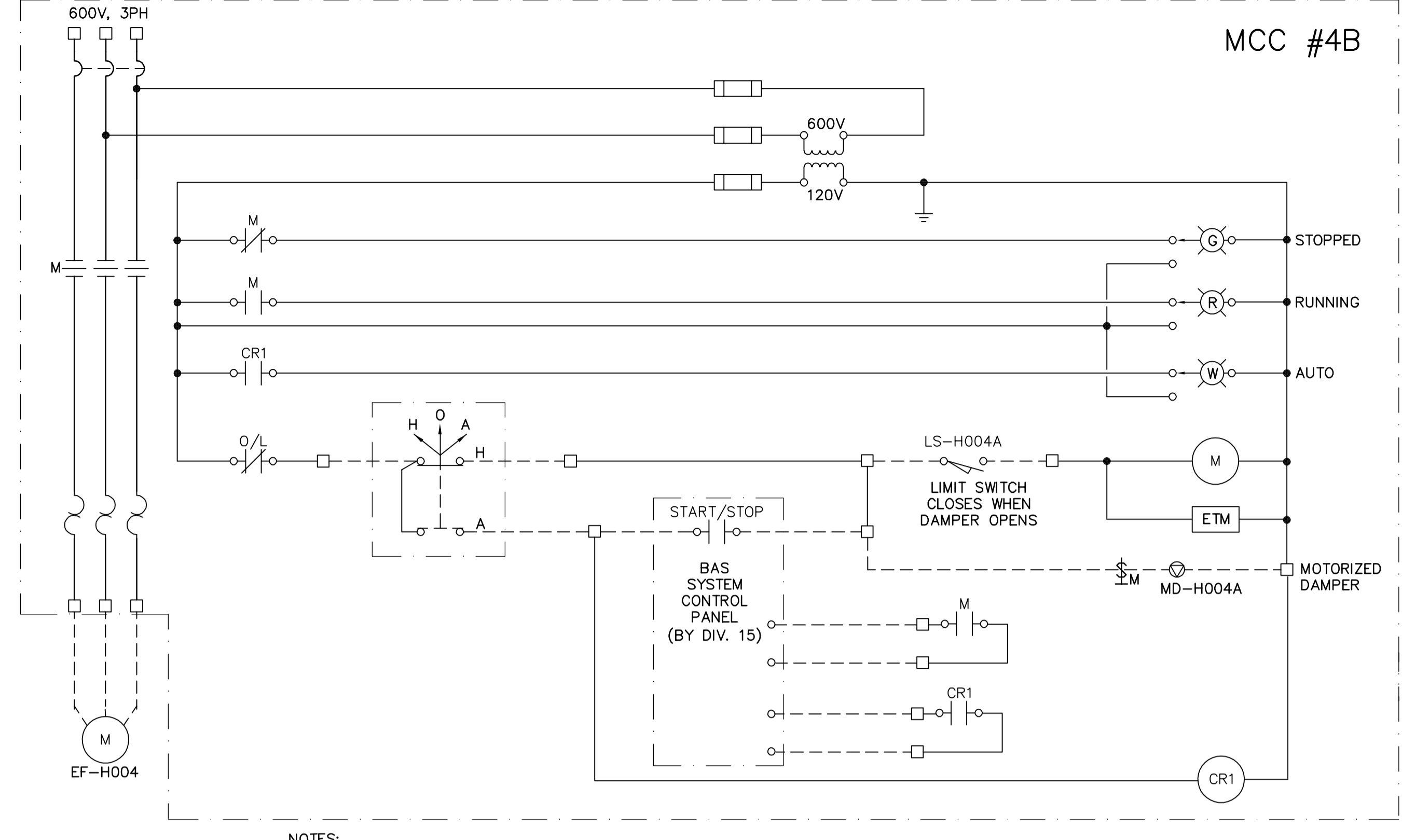


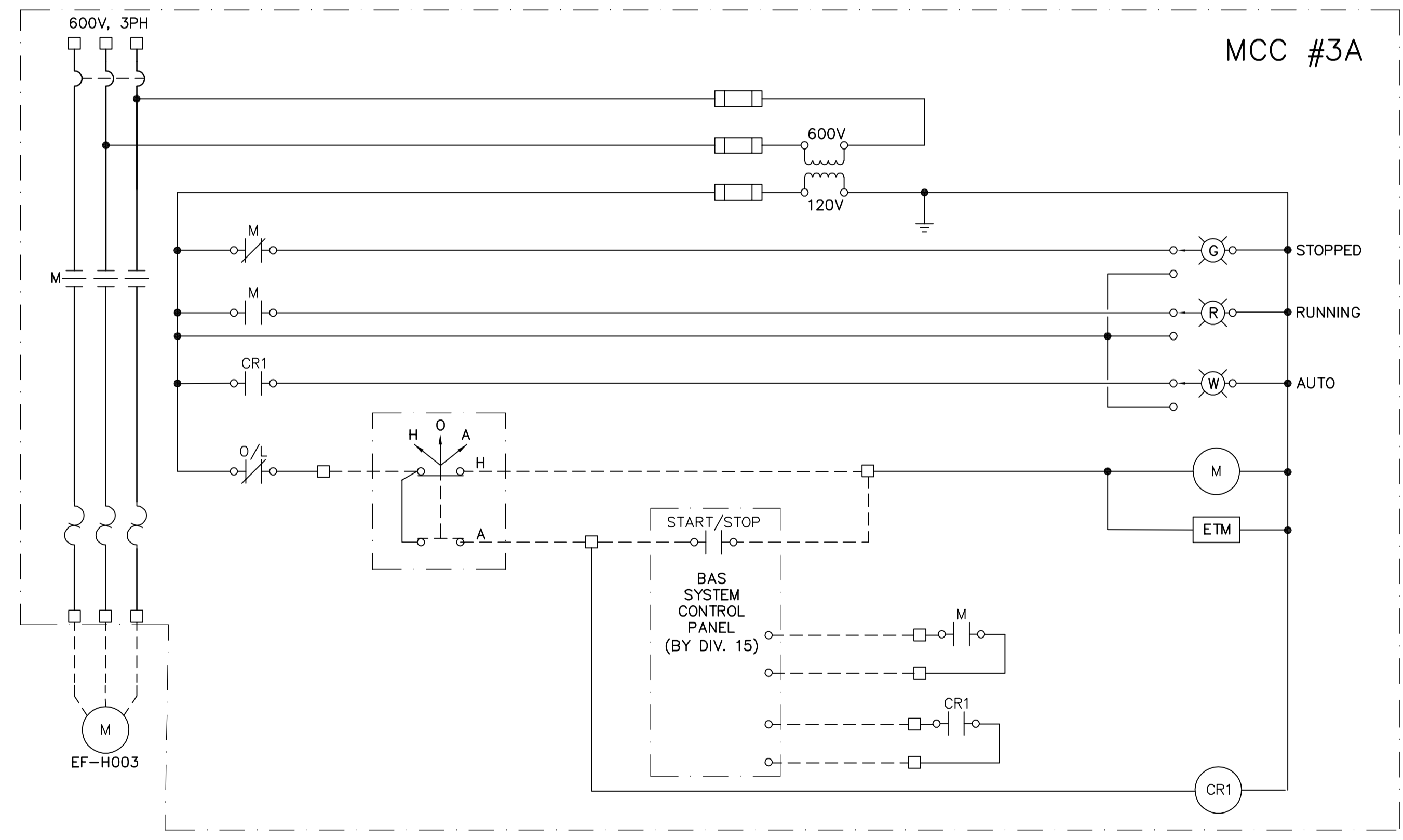
NOTES:  
1. STARTER IN MCC, H O A SWITCH AND ALL FIELD WIRING BY DIVISION 16 EXCEPT WIRING TO BAS SYSTEM BY DIVISION 15.

**EXHAUST FAN EF-H065**



NOTES:  
1. STARTER IN MCC, H O A SWITCH AND ALL FIELD WIRING BY DIVISION 16 EXCEPT WIRING TO BAS SYSTEM BY DIVISION 15.

**EXHAUST FAN EF-H004**



NOTES:  
1. STARTER IN MCC, H O A SWITCH AND ALL FIELD WIRING BY DIVISION 16 EXCEPT WIRING TO BAS SYSTEM BY DIVISION 15.

**EXHAUST FAN EF-H003**

<p><b>APEGN</b> Certificate of Authorization CH2M HILL Canada Ltd. No. 1441 Expiry: April 30, 2006</p>	<p>Frederickson Cooper ARCHITECTS</p>	<p>EarthTech A Tyco International Ltd. Company</p>	<p>ENGINEER'S SEAL</p> <p>ORIGINAL SIGNED BY L.D. LLEWELLYN 2006/03/29</p>	<p><b>THE CITY OF WINNIPEG</b> WATER AND WASTE DEPARTMENT ENGINEERING DIVISION</p> <p>WATER TREATMENT PLANT MAIN BUILDING MECHANICAL AND ELECTRICAL</p> <p>ELECTRICAL CONTROL DIAGRAM</p>	<p>CITY FILE NUMBER</p>
	<p>DESIGNED BY JT CHECKED BY ND</p>	<p>APPROVED BY AHL</p>	<p>CONSULTANT DRAWING NO. WB-E0554</p>		<p>SHEET OF</p>
	<p>SCALE: NTS</p>	<p>RELEASED FOR CONSTRUCTION BY: R. SOROKOWSKI</p>	<p>CITY DRAWING NUMBER 1-0601B-H-E0554-001-000</p>		
	<p>00 ISSUED FOR TENDER 06/03/29 LL</p>	<p>NO. REVISIONS DATE BY DATE 2005/11/08 DATE 2006/03/29</p>			