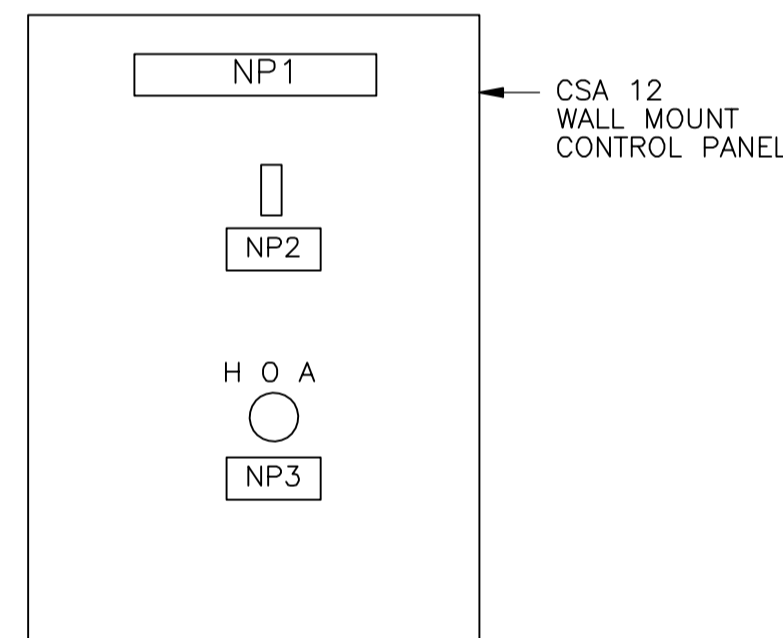


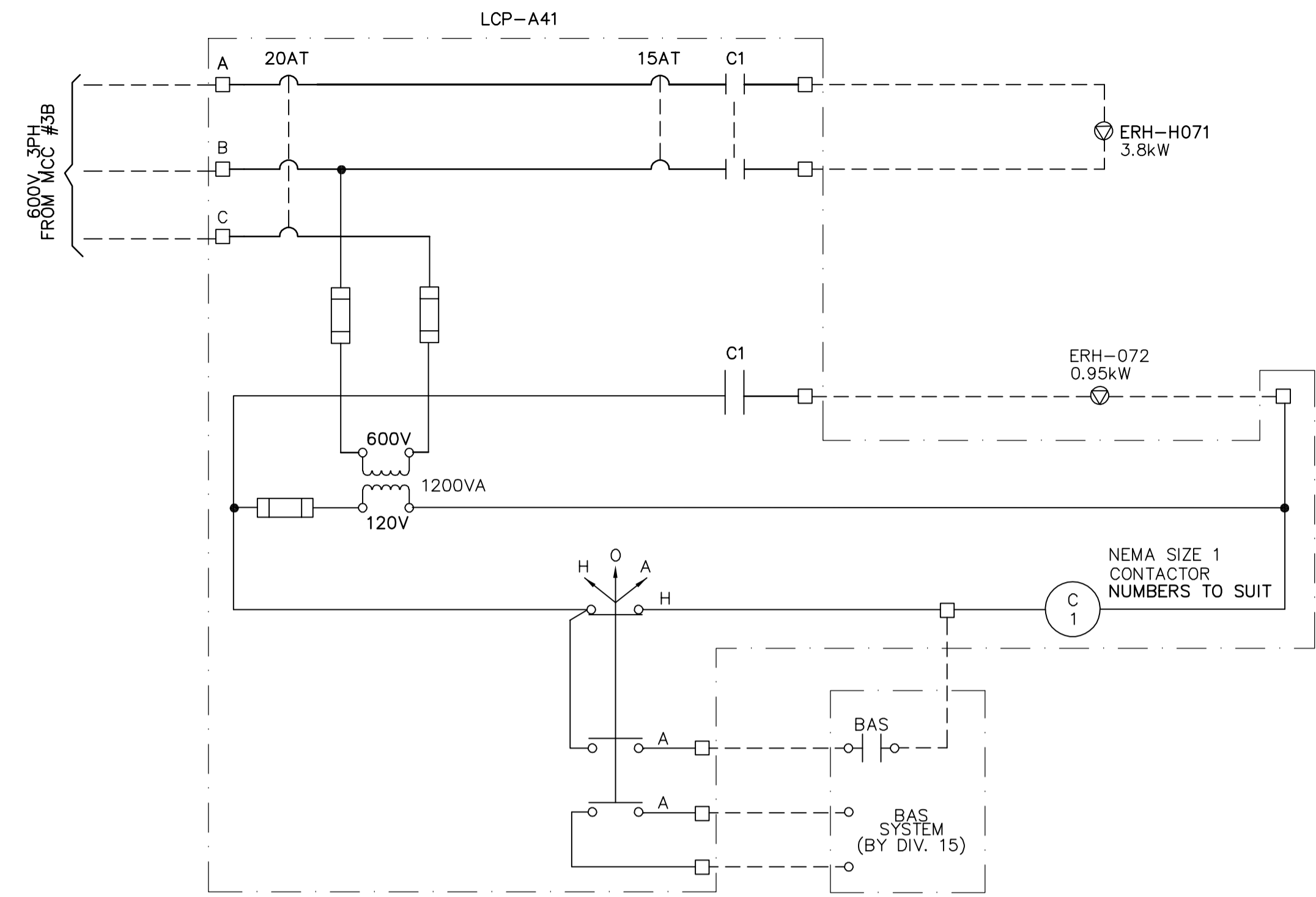
NOTES:
1. LCP-C31 AND ALL FIELD WIRING BY DIVISION 16 EXCEPT WIRING TO BAS SYSTEM BY DIVISION 15.



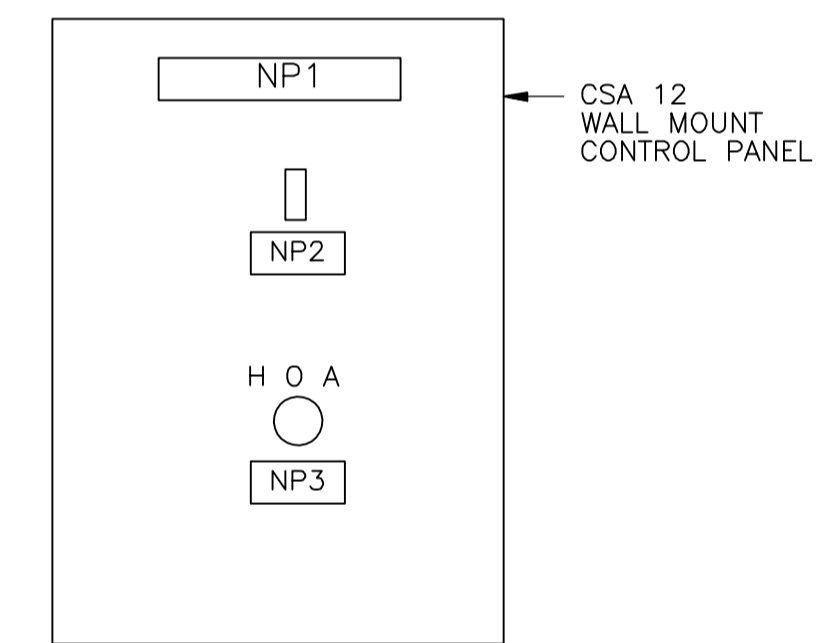
NAMEPLATES

- NP1 - RADIANT HEATER CONTROL PANEL
LCP-C31
- NP2 - MAIN DISCONNECT
- NP3 - H O A SELECTER SWITCH

RADIANT HEATERS – MECHANICAL ROOM No. 3



NOTES:
1. LCP-A41 AND ALL FIELD WIRING BY DIVISION 16 EXCEPT WIRING TO BAS SYSTEM BY DIVISION 15.



NAMEPLATES

- NP1 - RADIANT HEATER CONTROL PANEL
LCP-A41
- NP2 - MAIN DISCONNECT
- NP3 - H O A SELECTER SWITCH

RADIANT HEATERS – MECHANICAL ROOM No. 4



B.M. ELEV.			
DESIGNED BY	JT	CHECKED BY	ND
DRAWN BY	KJ	APPROVED BY	AHL
SCALE:	NTS	RELEASED FOR CONSTRUCTION BY:	R. SOROKOWSKI
00 ISSUED FOR TENDER	06/03/29	DATE	2005/11/08
NO. REVISIONS	DATE	BY	DATE

CH2MHILL Frederickson Cooper ARCHITECTS	EarthTech A Yeo International Ltd. Company
DESIGNED BY: JT	CHECKED BY: ND
DRAWN BY: KJ	APPROVED BY: AHL
SCALE: NTS	RELEASED FOR CONSTRUCTION BY: R. SOROKOWSKI
DATE: 2005/11/08	DATE: 2006/03/29

ENGINEER'S SEAL
ORIGINAL SIGNED BY: L.D. LLEWELLYN
DATE: 2006/03/29
CONSULTANT DRAWING NO. WB-E0563

THE CITY OF WINNIPEG WATER AND WASTE DEPARTMENT ENGINEERING DIVISION	
WATER TREATMENT PLANT MAIN BUILDING MECHANICAL AND ELECTRICAL	CITY FILE NUMBER SHEET OF
ELECTRICAL CONTROL DIAGRAM	CITY DRAWING NUMBER 1-0601B-H-E0563-001-000