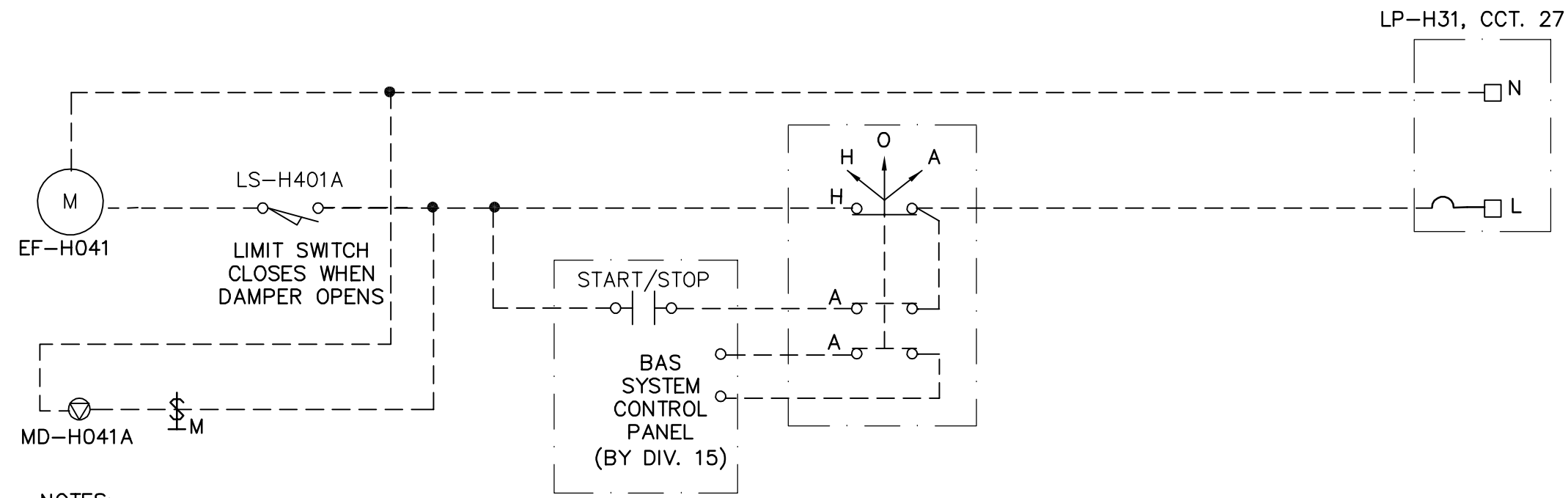


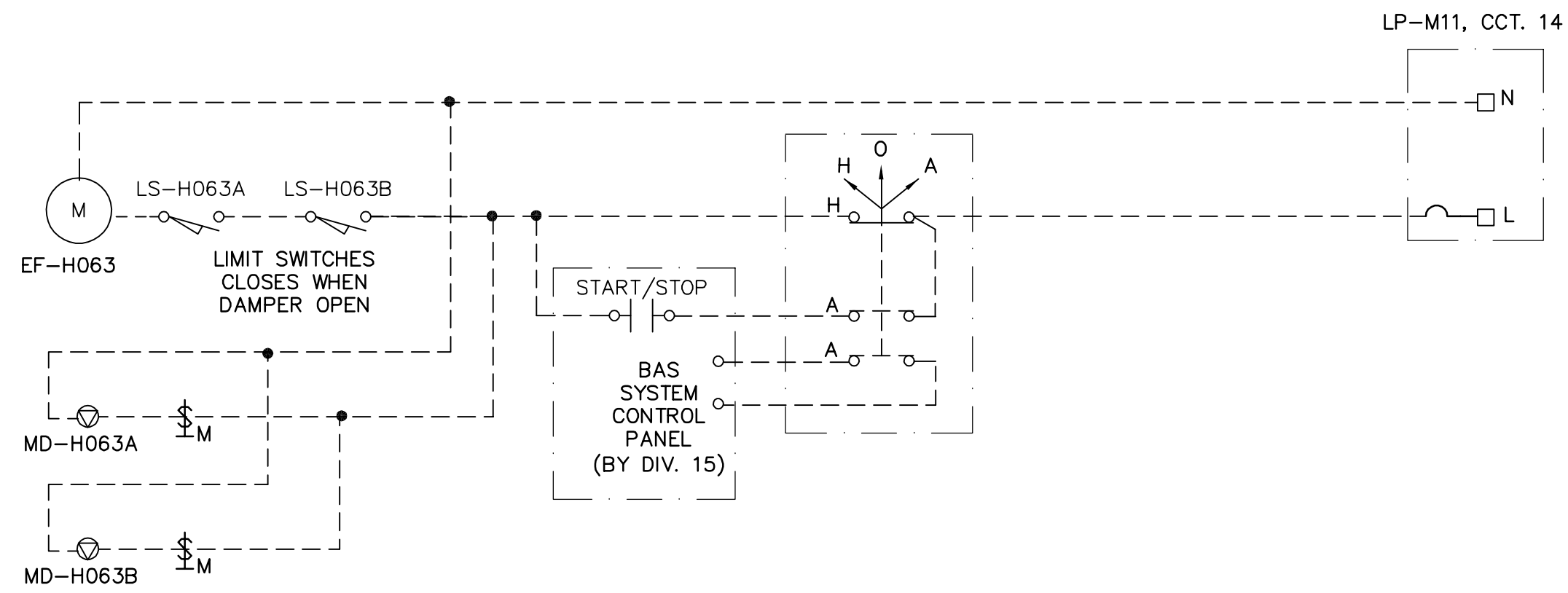
NOTES:
1. MOTOR RATED SWITCH, H O A SWITCH AND ALL FIELD WIRING BY DIVISION 16 EXCEPT WIRING TO BAS SYSTEM BY DIVISION 15.

EXHAUST FAN EF-H043



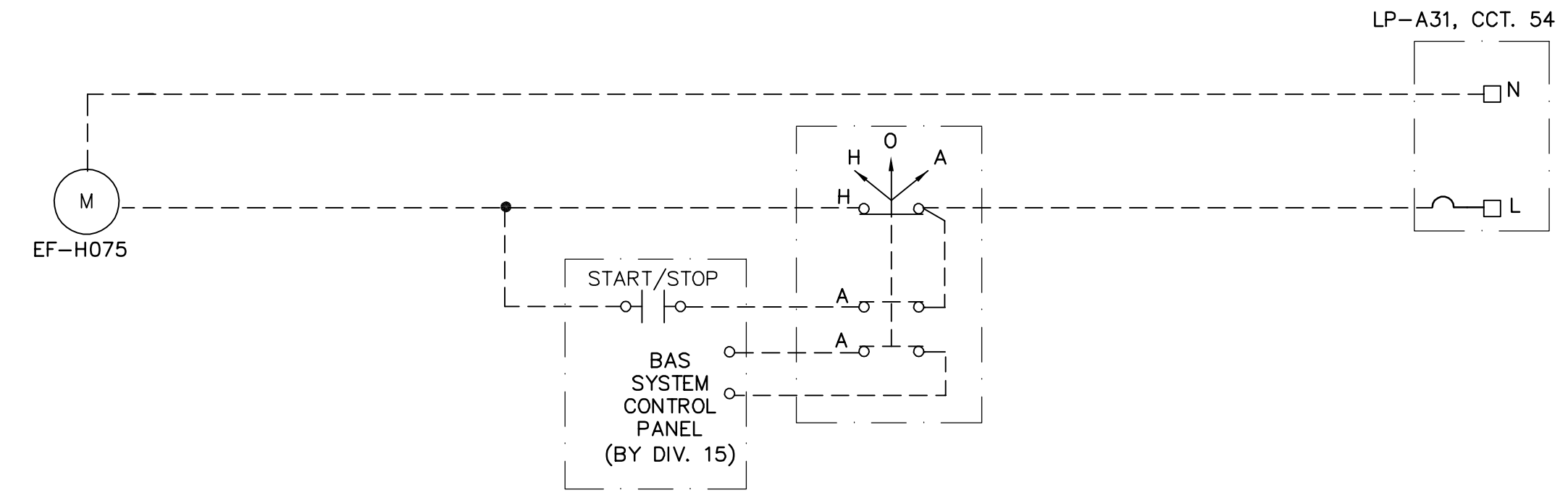
NOTES:
1. MOTOR RATED SWITCH, H O A SWITCH AND ALL FIELD WIRING BY DIVISION 16 EXCEPT WIRING TO BAS SYSTEM BY DIVISION 15.

EXHAUST FAN EF-H041



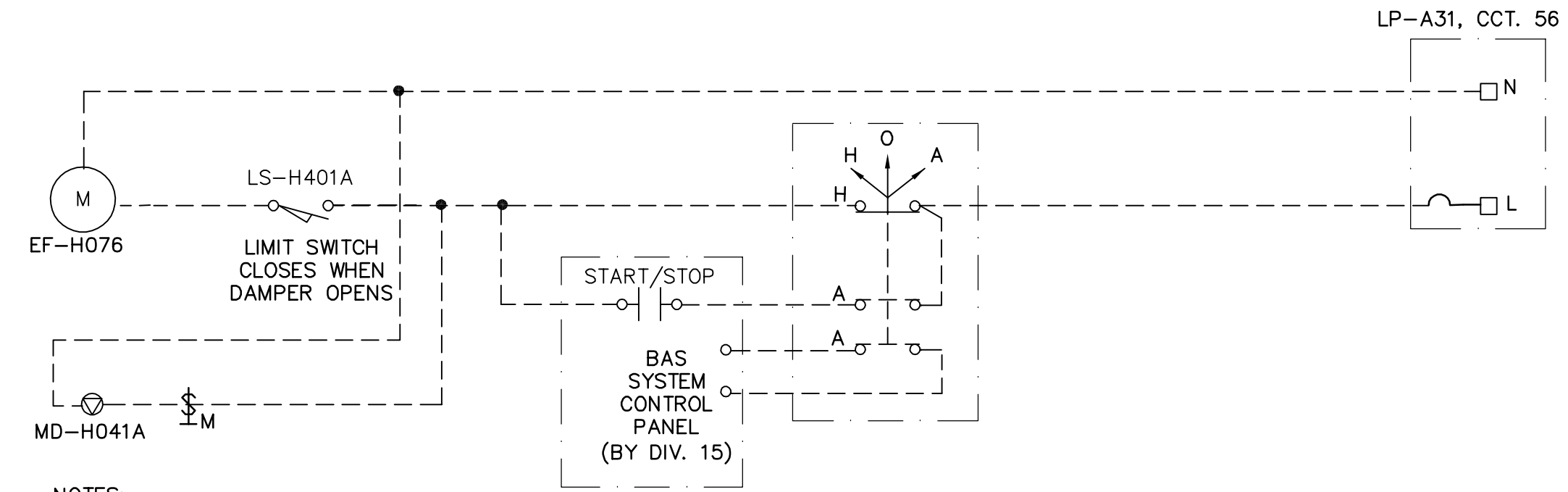
NOTES:
1. MOTOR RATED SWITCH, H O A SWITCH AND ALL FIELD WIRING BY DIVISION 16 EXCEPT WIRING TO BAS SYSTEM BY DIVISION 15.

EXHAUST FAN EF-H063



NOTES:
1. MOTOR RATED SWITCH, H O A SWITCH AND ALL FIELD WIRING BY DIVISION 16 EXCEPT WIRING TO BAS SYSTEM BY DIVISION 15.

EXHAUST FAN EF-H075



NOTES:
1. MOTOR RATED SWITCH, H O A SWITCH AND ALL FIELD WIRING BY DIVISION 16 EXCEPT WIRING TO BAS SYSTEM BY DIVISION 15.

EXHAUST FAN EF-H076



| | | | |
|-------------|------------|-------------------------------|---------------|
| B.M. ELEV. | | | |
| DESIGNED BY | JT | CHECKED BY | ND |
| DRAWN BY | KJ | APPROVED BY | AHL |
| SCALE: | NTS | RELEASED FOR CONSTRUCTION BY: | R. SOROKOWSKI |
| DATE | 2005/11/08 | DATE | 2006/03/29 |

CH2MHILL
Frederickson Cooper ARCHITECTS

EarthTech
A Geo International Ltd. Company

ENGINEER'S SEAL
ORIGINAL SIGNED BY
L.D. LLEWELLYN
2006/03/29

CONSULTANT DRAWING NO.
WB-E0569

THE CITY OF WINNIPEG
WATER AND WASTE DEPARTMENT
ENGINEERING DIVISION

WATER TREATMENT PLANT
MAIN BUILDING
MECHANICAL AND ELECTRICAL

ELECTRICAL
CONTROL DIAGRAM

CITY FILE NUMBER
SHEET OF
CITY DRAWING NUMBER
1-0601B-H-E0569-001-000