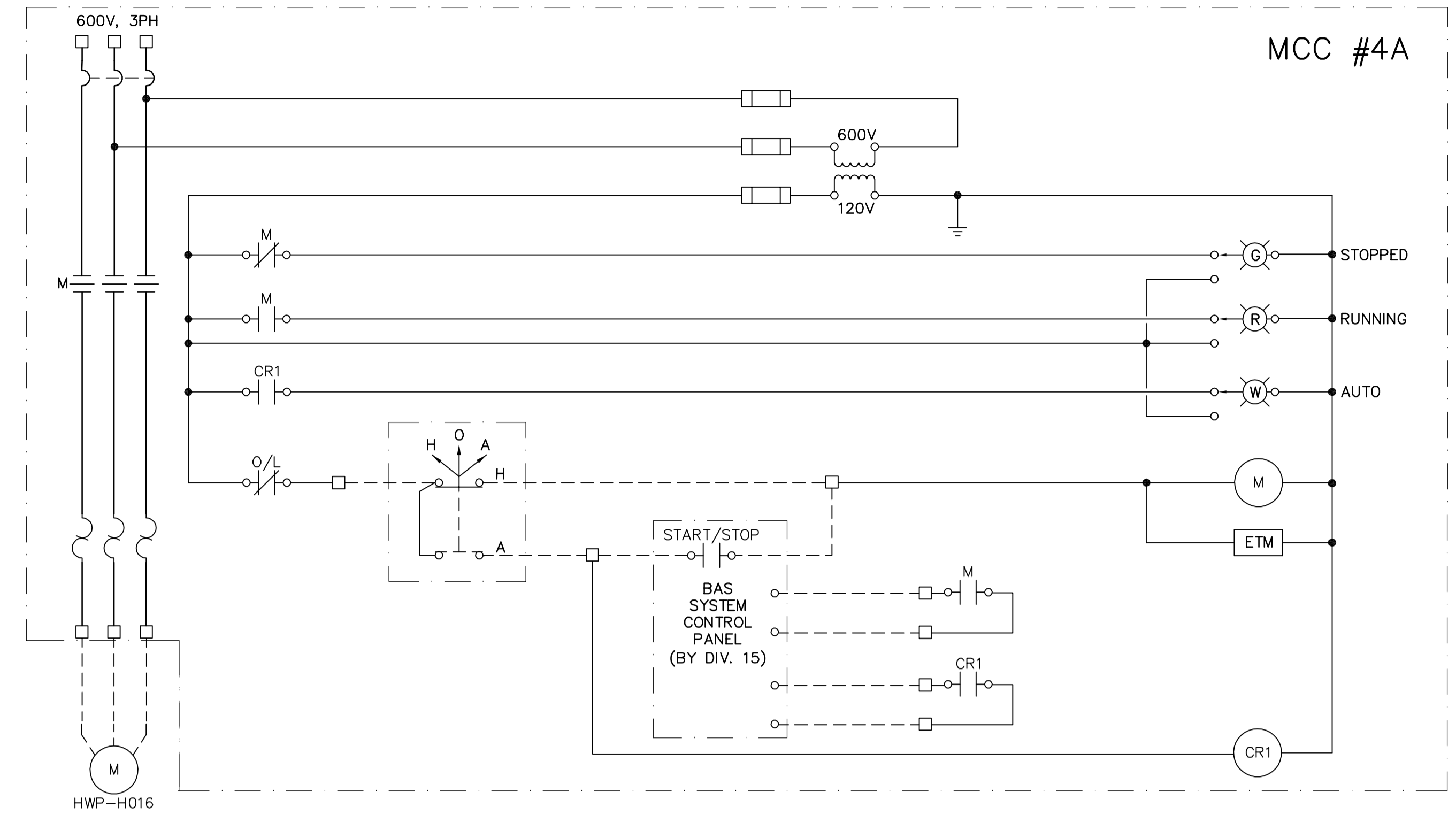


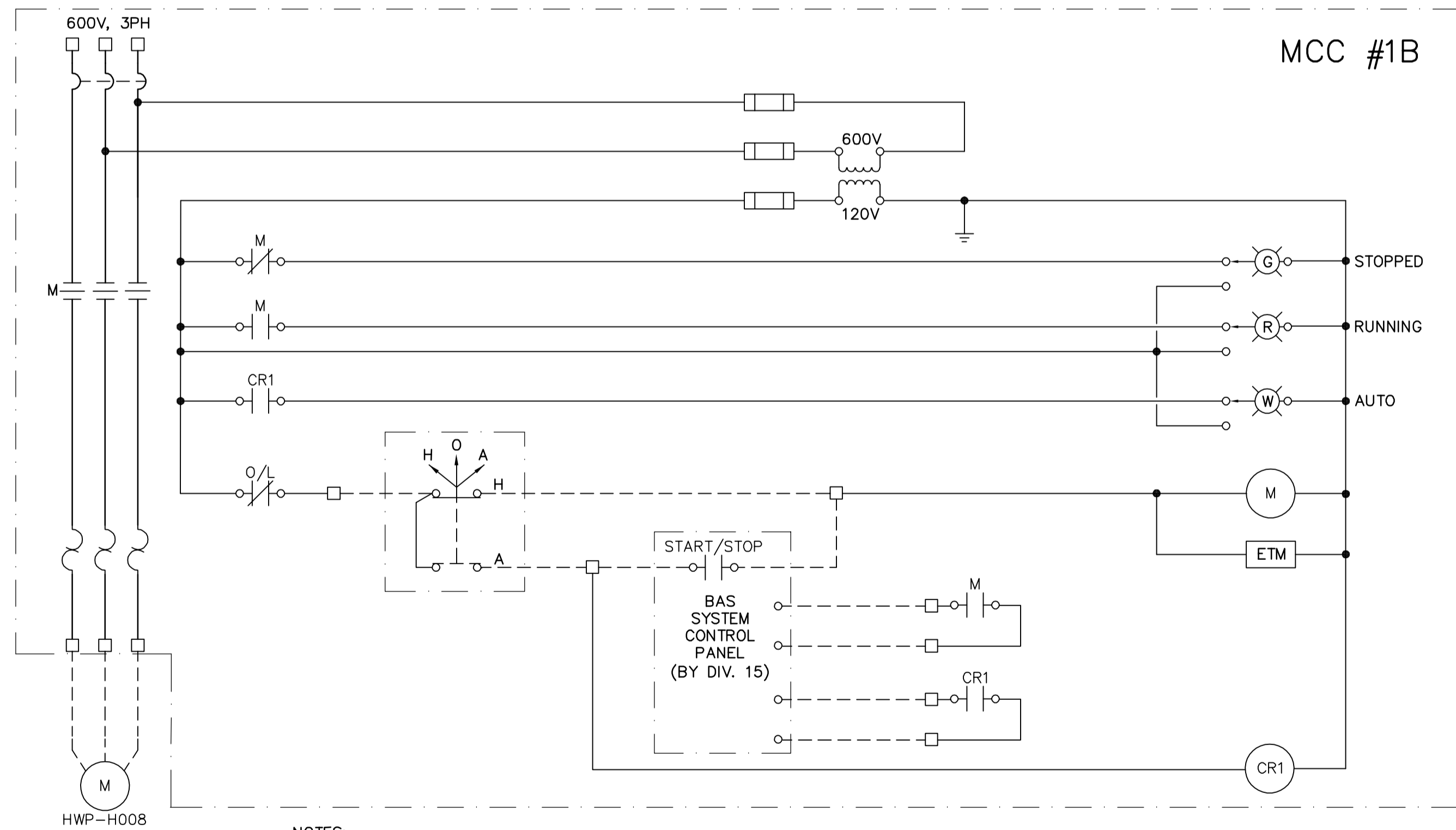
NOTES:
1. STARTER IN MCC, H O A SWITCH AND ALL FIELD WIRING BY DIVISION 16 EXCEPT WIRING TO BAS SYSTEM BY DIVISION 15.

HOT WATER PUMP HWP-H007



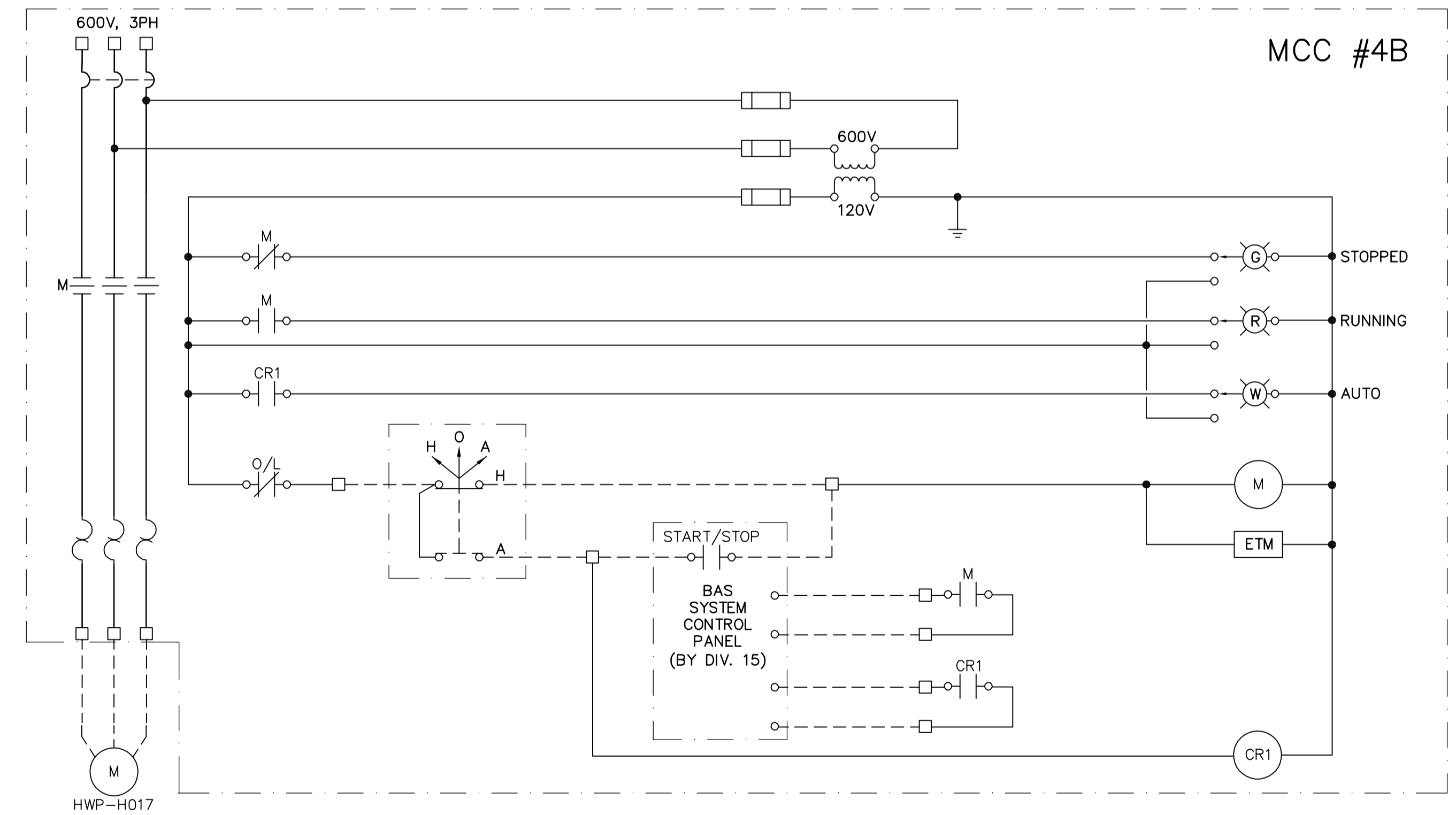
NOTES:
1. STARTER IN MCC, H O A SWITCH AND ALL FIELD WIRING BY DIVISION 16 EXCEPT WIRING TO BAS SYSTEM BY DIVISION 15.

HOT WATER PUMP HWP-H016



NOTES:
1. STARTER IN MCC, H O A SWITCH AND ALL FIELD WIRING BY DIVISION 16 EXCEPT WIRING TO BAS SYSTEM BY DIVISION 15.

HOT WATER PUMP HWP-H008



NOTES:
1. STARTER IN MCC, H O A SWITCH AND ALL FIELD WIRING BY DIVISION 16 EXCEPT WIRING TO BAS SYSTEM BY DIVISION 15.

HOT WATER PUMP HWP-H017



B.M. ELEV.			
DESIGNED BY	JT	CHECKED BY	ND
DRAWN BY	KJ	APPROVED BY	AHL
SCALE:	NTS	RELEASED FOR CONSTRUCTION BY:	R. SOROKOWSKI
NO. REVISIONS	DATE	DATE	DATE
00	ISSUED FOR TENDER 06/03/29	LL	2005/11/08

 Frederickson Cooper ARCHITECTS		 A Tetra International Ltd. Company	
DESIGNED BY	JT	CHECKED BY	ND
DRAWN BY	KJ	APPROVED BY	AHL
SCALE:	NTS	RELEASED FOR CONSTRUCTION BY:	R. SOROKOWSKI
DATE	2005/11/08	DATE	2006/03/29

ENGINEER'S SEAL
ORIGINAL SIGNED BY
L.D. LLEWELLYN
2006/03/29
CONSULTANT DRAWING NO.
WB-E0570

THE CITY OF WINNIPEG WATER AND WASTE DEPARTMENT ENGINEERING DIVISION	
WATER TREATMENT PLANT MAIN BUILDING MECHANICAL AND ELECTRICAL	
ELECTRICAL	
CONTROL DIAGRAM	
CITY FILE NUMBER	
SHEET	OF
CITY DRAWING NUMBER	1-0601B-H-E0570-001-000