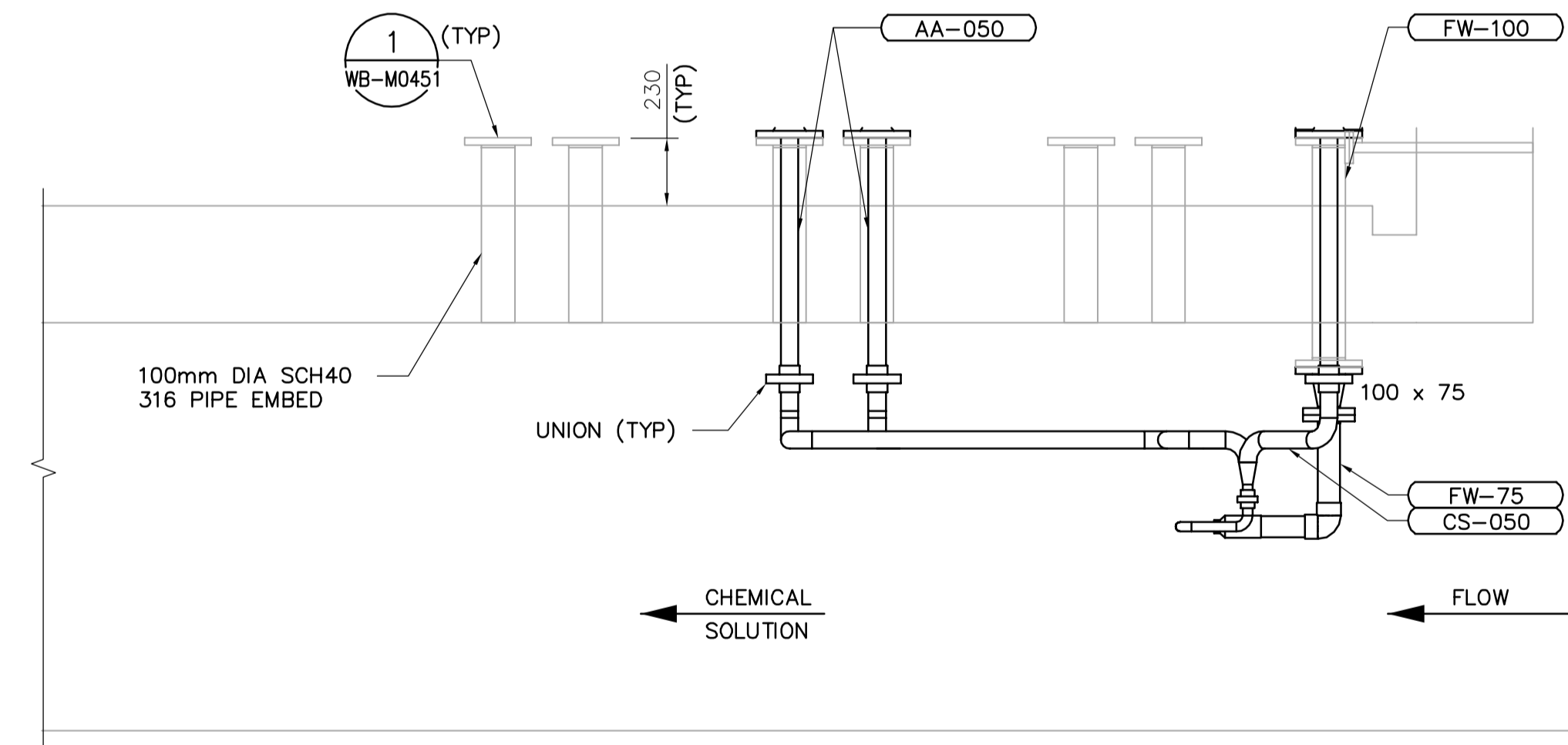
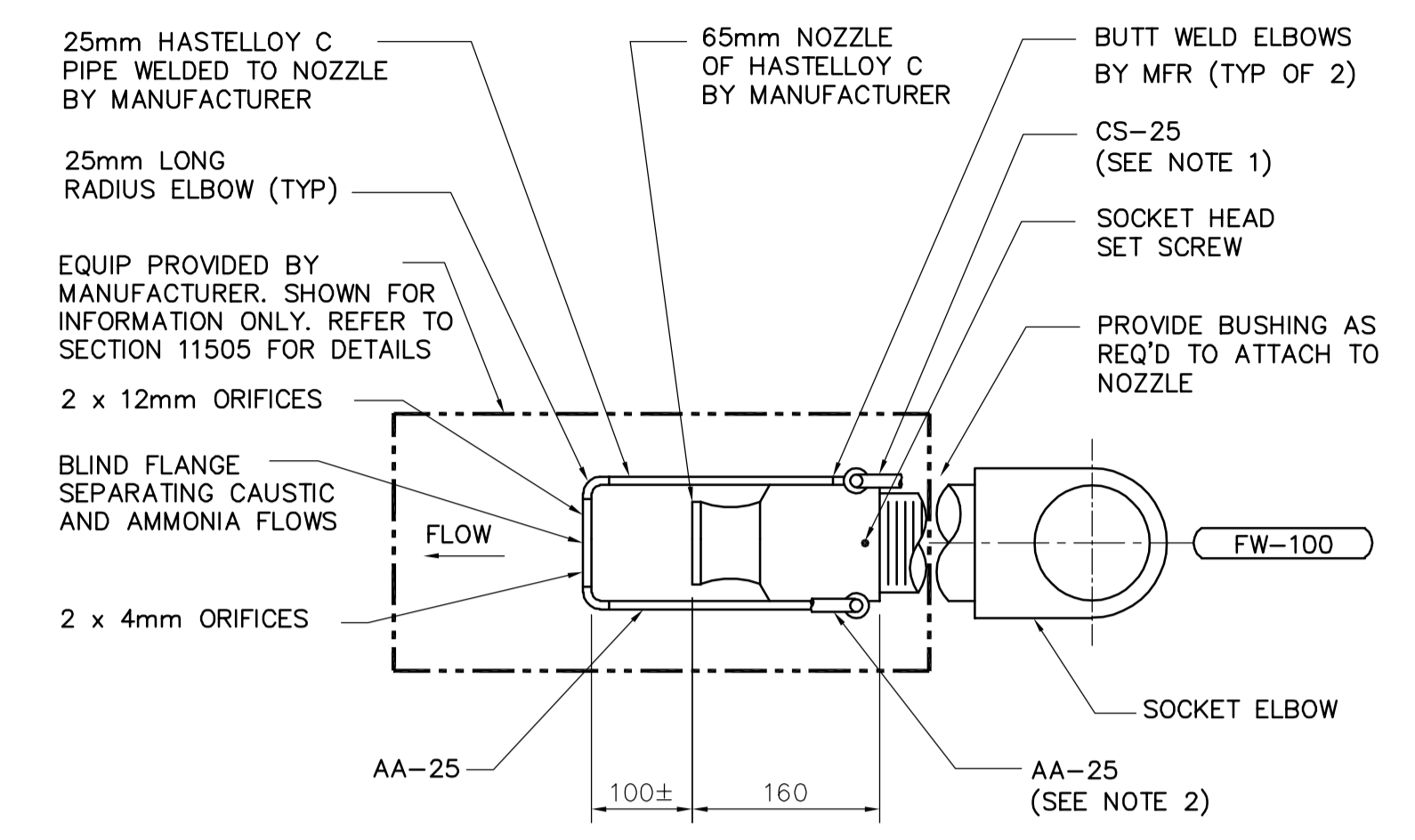


PLAN
1:20



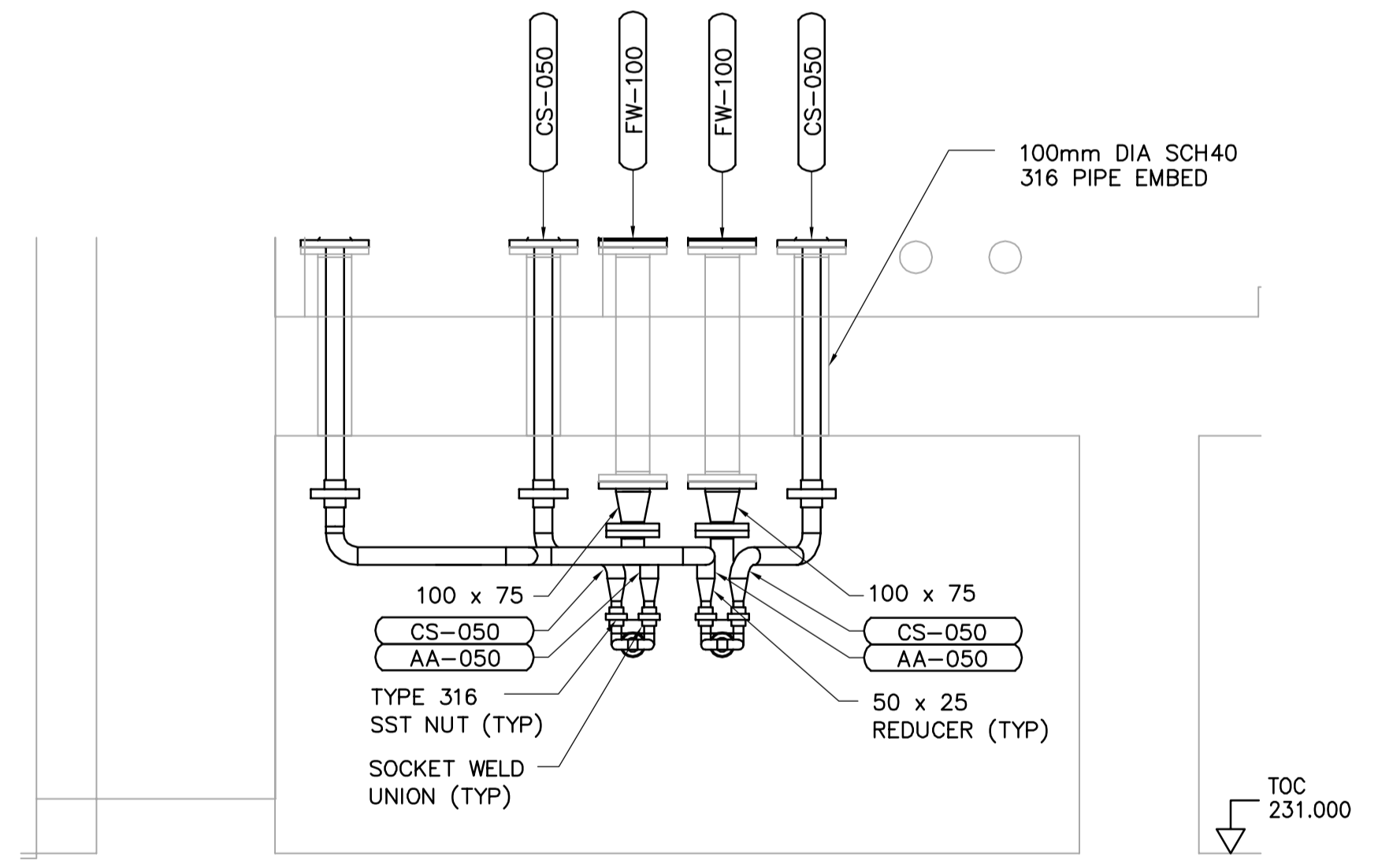
A SECTION
1:20



NOTES:

1. THE CS-25 PIPE SHALL CONNECT TO THE NOZZLE PIPE THAT HAS A 2 x 12mm DRILLED ORIFICE.
2. THE AA-25 PIPE SHALL CONNECT TO THE NOZZLE PIPE THAT HAS A 2 x 4mm DRILLED ORIFICE.

C DETAIL
N.T.S.



B SECTION
1:20

NOTES:

1. ALL CAUSTIC PIPING AND FITTINGS SHALL BE RATED FOR 100° CELSIUS.

1 DETAIL
WC-M0209 NTS
WF-M0401
WC-M0456

<p>APEGN Certificate of Authorization CH2M HILL Canada Ltd. No. 1441 Expiry: April 30, 2006</p>	<p>Frederickson Cooper ARCHITECTS</p>	<p>EarthTech A Tyco International Ltd. Company</p>	ENGINEER'S SEAL	<p>THE CITY OF WINNIPEG WATER AND WASTE DEPARTMENT ENGINEERING DIVISION</p>
			DESIGNED BY: KS CHECKED BY: NN DRAWN BY: YFS APPROVED BY: AHL SCALE: NTS RELEASED FOR CONSTRUCTION BY: R. SOROKOWSKI	
00 ISSUED FOR TENDER 06/03/29 KS INQ. REVISIONS DATE BY DATE 2006/01/27 DATE 2006/03/29	PROCESS MECHANICAL CHEMICAL AREA DETAILS		CITY DRAWING NUMBER 1-0601C-A-M0455-001-000	