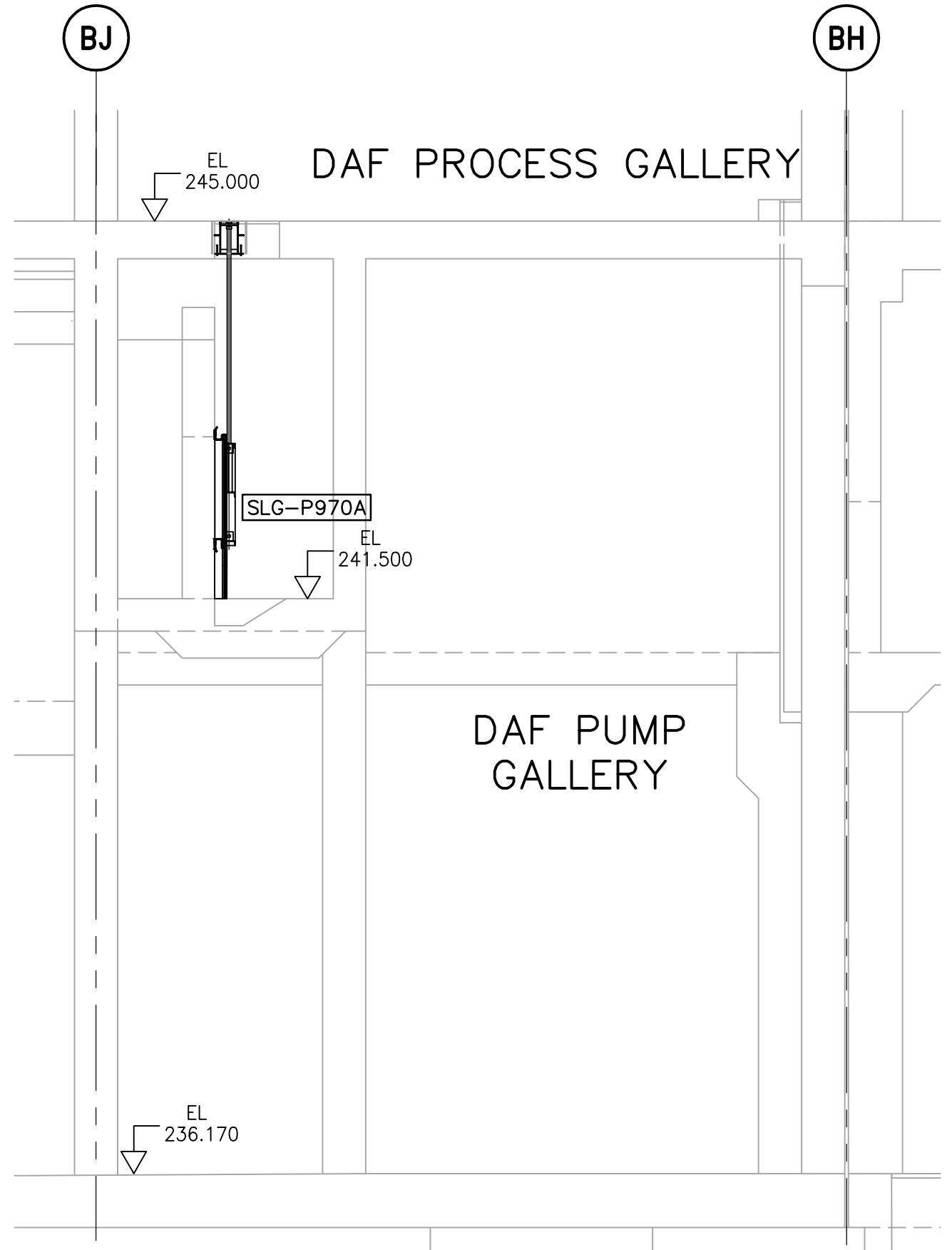


SEE DWG. WP-M0209 FOR LARGER SCALE DRAWING OF FLOAT AND RECYCLE PUMPS

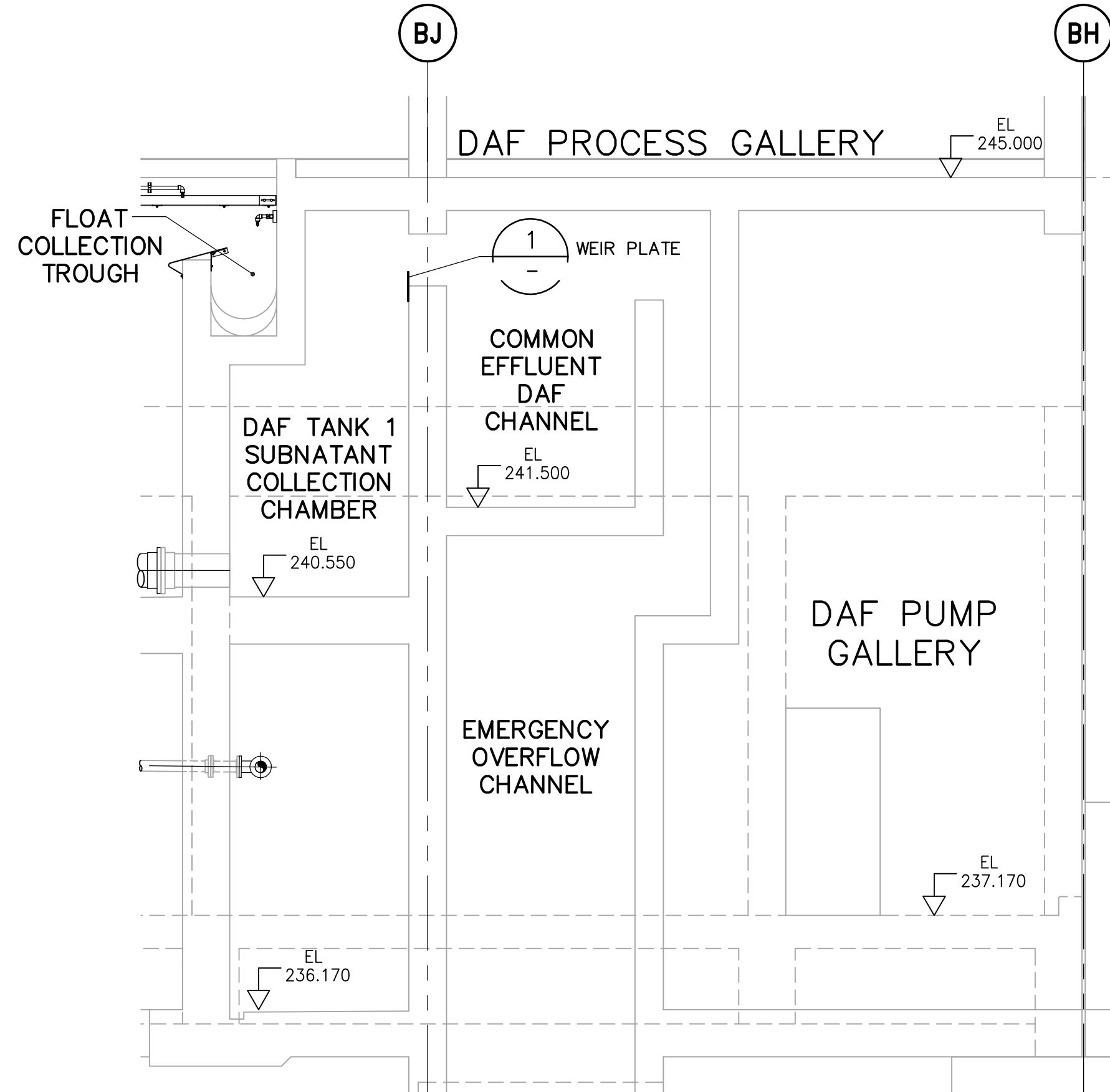
**F SECTION - SATURATION AND RECYCLE SYSTEM**

WP-M0110 1:150  
 WP-M0115  
 WP-M0120  
 WP-M0130



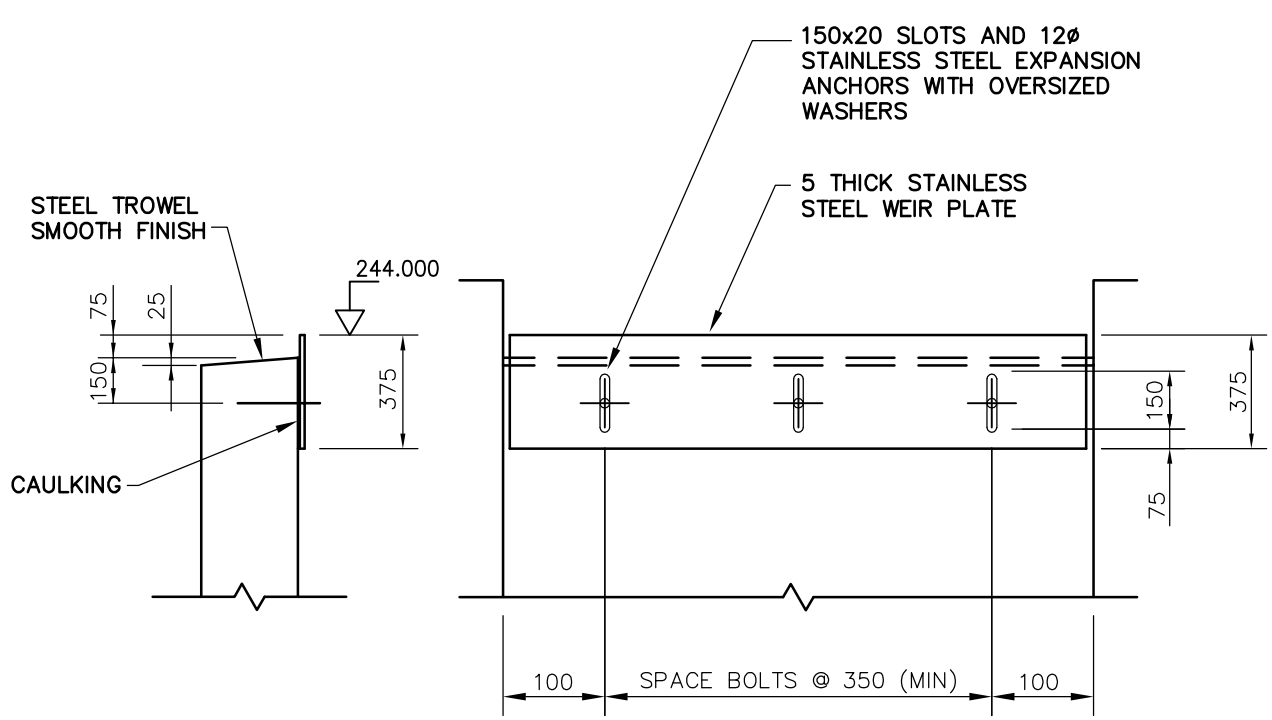
**J SECTION - OVERFLOW WEIR**

WP-M0110 1:50  
 WP-M0115 WP-M0120  
 WP-M0130

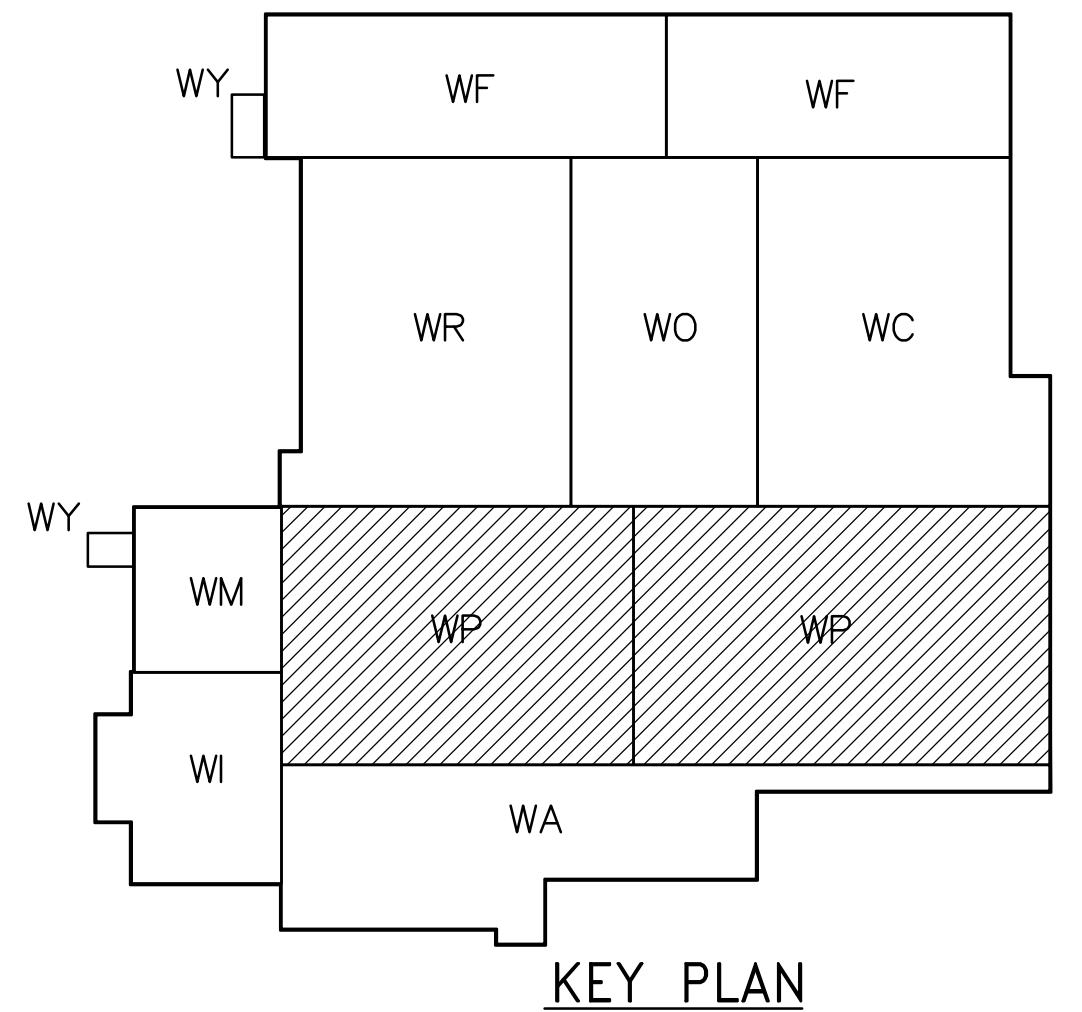


**Q SECTION - OVERFLOW WEIR**

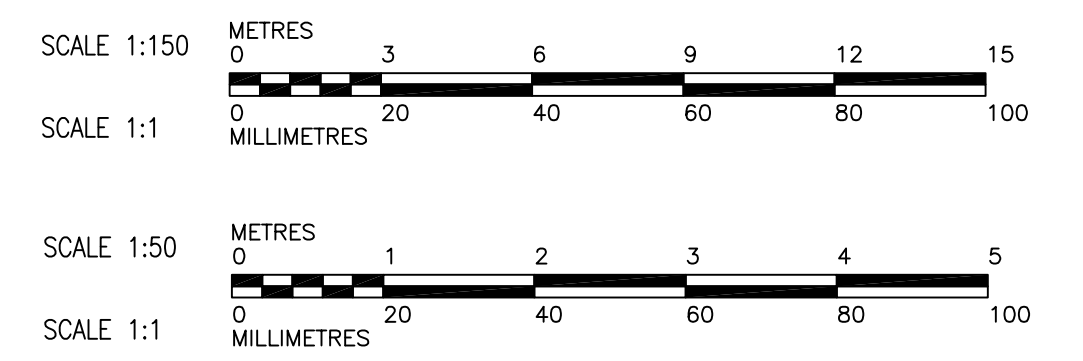
WP-M0110 1:50  
 WP-M0115 WP-M0120  
 WP-M0130



**1 WEIR PLATE DETAIL**



**KEY PLAN**



NOTES:  
 1. FOR ADDITIONAL INFORMATION ON PIPE EMBEDS, REFER TO SERIES WP-M9000 DRAWINGS.  
 2. COORDINATE DF-100 PIPE RUN WITH UNDERSIDE OF CABLE TRAYS.



B.M. ELEV.		<b>CH2MHILL</b>	ENGINEER'S SEAL
		Frederickson Cooper ARCHITECTS	ORIGINAL SIGNED BY S.M. BREESE
		DESIGNED BY K.A.S.	2006/03/29
		DRAWN BY P.L./LPT/LC	CONSULTANT DRAWING NO. WP-M0204
		SCALE: 1:150	
		RELEASED FOR CONSTRUCTION BY: R. SOROKOWSKI	
00 ISSUED FOR TENDER	06/03/29	DATE 2005/09/30	DATE 2006/03/29
NO. REVISIONS	DATE	DATE	DATE

**THE CITY OF WINNIPEG**  
 WATER AND WASTE DEPARTMENT  
 ENGINEERING DIVISION

WATER TREATMENT PLANT  
 FLOCCULATION AND DAF  
 MECHANICAL AND ELECTRICAL

PROCESS MECHANICAL SECTIONS F, J & Q

CITY FILE NUMBER  
 SHEET OF  
 CITY DRAWING NUMBER  
 1-0601P-A-M0204-001-00D