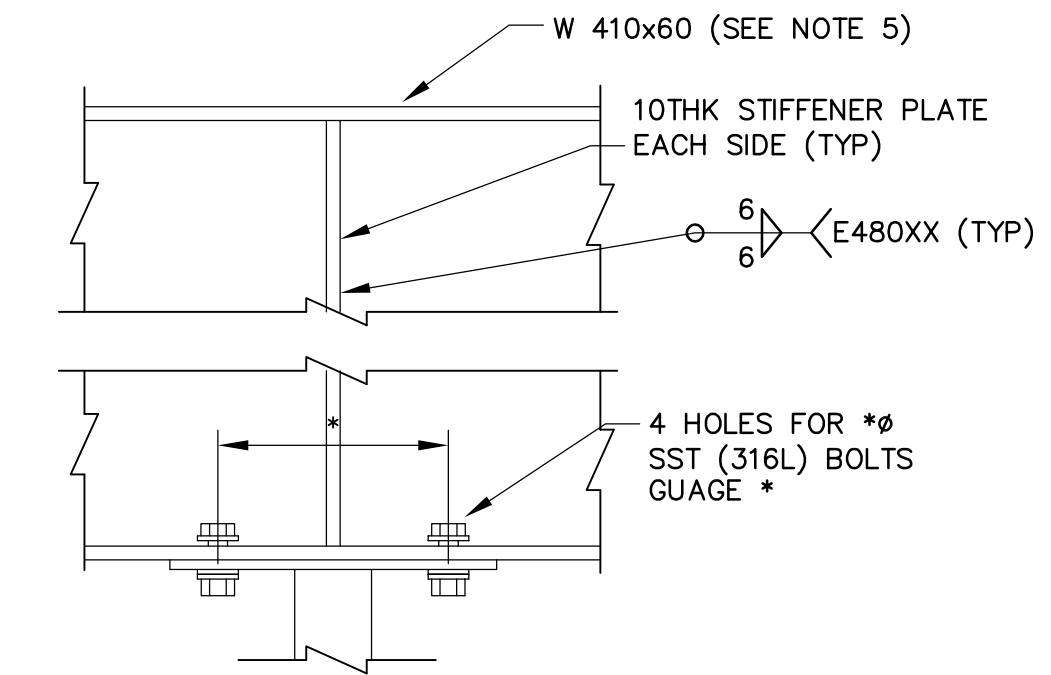
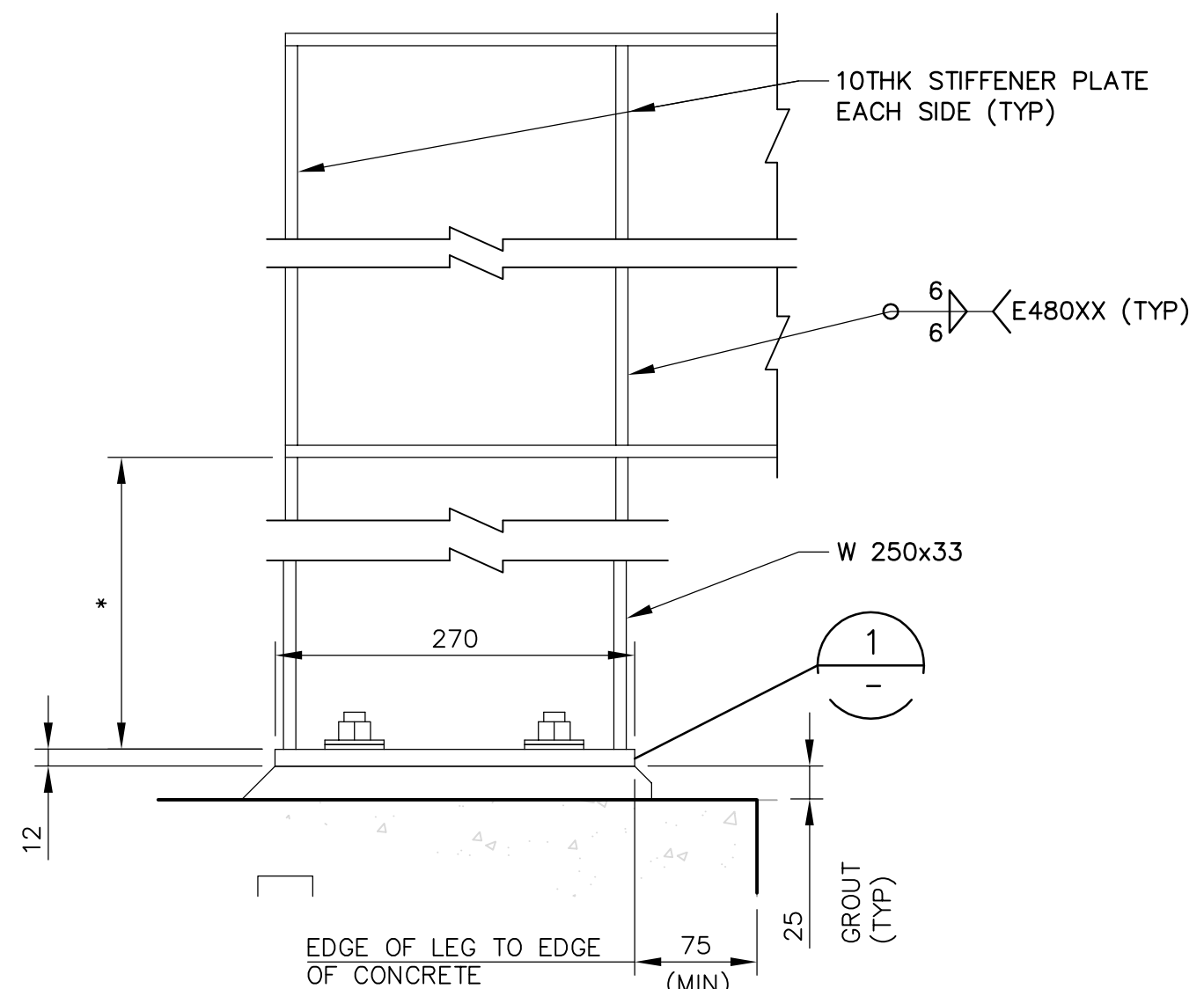


1 BASE PLATE DETAILS
1:5

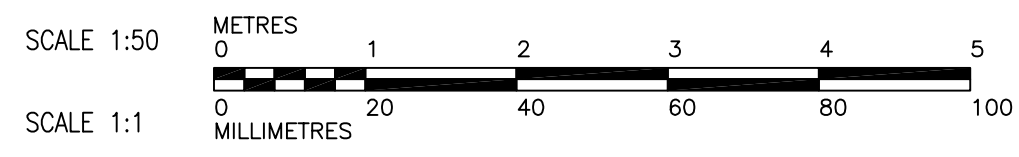


2 BEAM STIFFENER DETAILS
1:5



3 SUPPORT DETAILS
1:5

- NOTES:
- DIMENSIONS INDICATED THUS * AS PER SUPPLY CONTRACTOR PACKAGE
 - TOTAL 24 ASSEMBLIES REQUIRED FOR 8 TANKS.
 - PLATE MATERIAL CSA G40.21, 300W
 - W410 AND W250 PLATE MATERIAL CSA G40.21, 350W
 - PROVIDE EPOXY COATING SUITABLE FOR CHEMICALLY CORROSIVE EXPOSURE. REFER TO SPECIFICATION SECTION 09901: PROTECTIVE COATING SYSTEMS.
 - PROVIDE DISSIMILAR METAL PROTECTION BETWEEN BOLTS AND FRAME.
 - COMPLETE FORM 102: "CERTIFICATE OF SATISFACTORY INSTALLATION" PRIOR TO DAF EQUIPMENT INSTALLATION.



D SECTION - DAF TANKS 1 & 2
WP-M0115 1:50

WP-M0120 WP-M0130 WP-M0202

NOTES:
1. FOR ADDITIONAL INFORMATION ON PIPE EMBEDS, REFER TO SERIES WP-M9000 DRAWINGS.

APEGM
Certificate of Authorization
Earth Tech Canada Inc.
No. 730 Expiry: April 30, 2006

NO.	REVISIONS	DATE	BY	DATE
00	ISSUED FOR TENDER	06/03/29	PL	

DESIGNED BY	KAS	CHECKED BY	SMB
DRAWN BY	P.L./LC	APPROVED BY	AHL
SCALE:	1:50	RELEASED FOR CONSTRUCTION BY:	R. SOROKOWSKI
DATE	2005/11/17	DATE	2006/03/29

ENGINEER'S SEAL
ORIGINAL SIGNED BY
S.M. BREESE
2006/03/29
CONSULTANT DRAWING NO.
WP-M0212

THE CITY OF WINNIPEG
WATER AND WASTE DEPARTMENT
ENGINEERING DIVISION

WATER TREATMENT PLANT
FLOCCULATION AND DAF
MECHANICAL AND ELECTRICAL

PROCESS MECHANICAL
SECTION D
DAF TANKS 1 & 2

CITY FILE NUMBER
SHEET OF
CITY DRAWING NUMBER
1-0601P-A-M0212-001-000