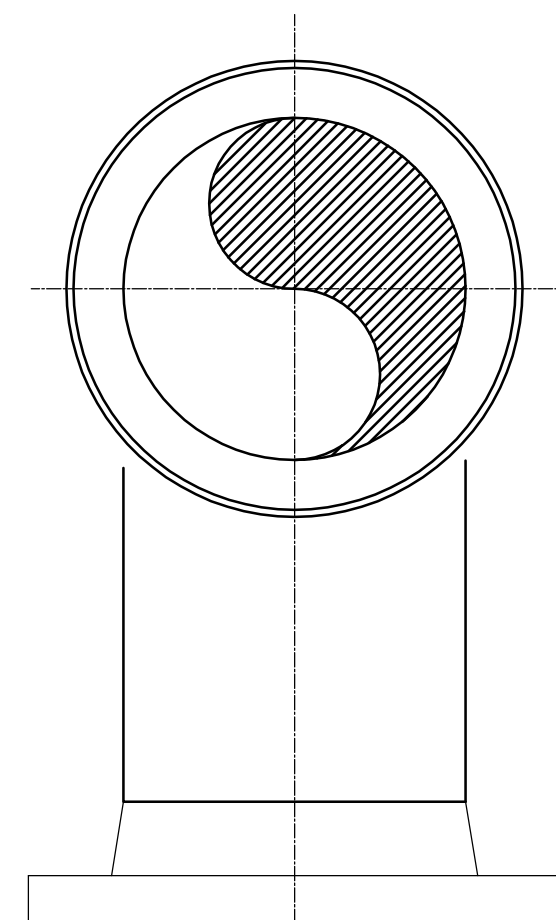


ELEVATION - TOP

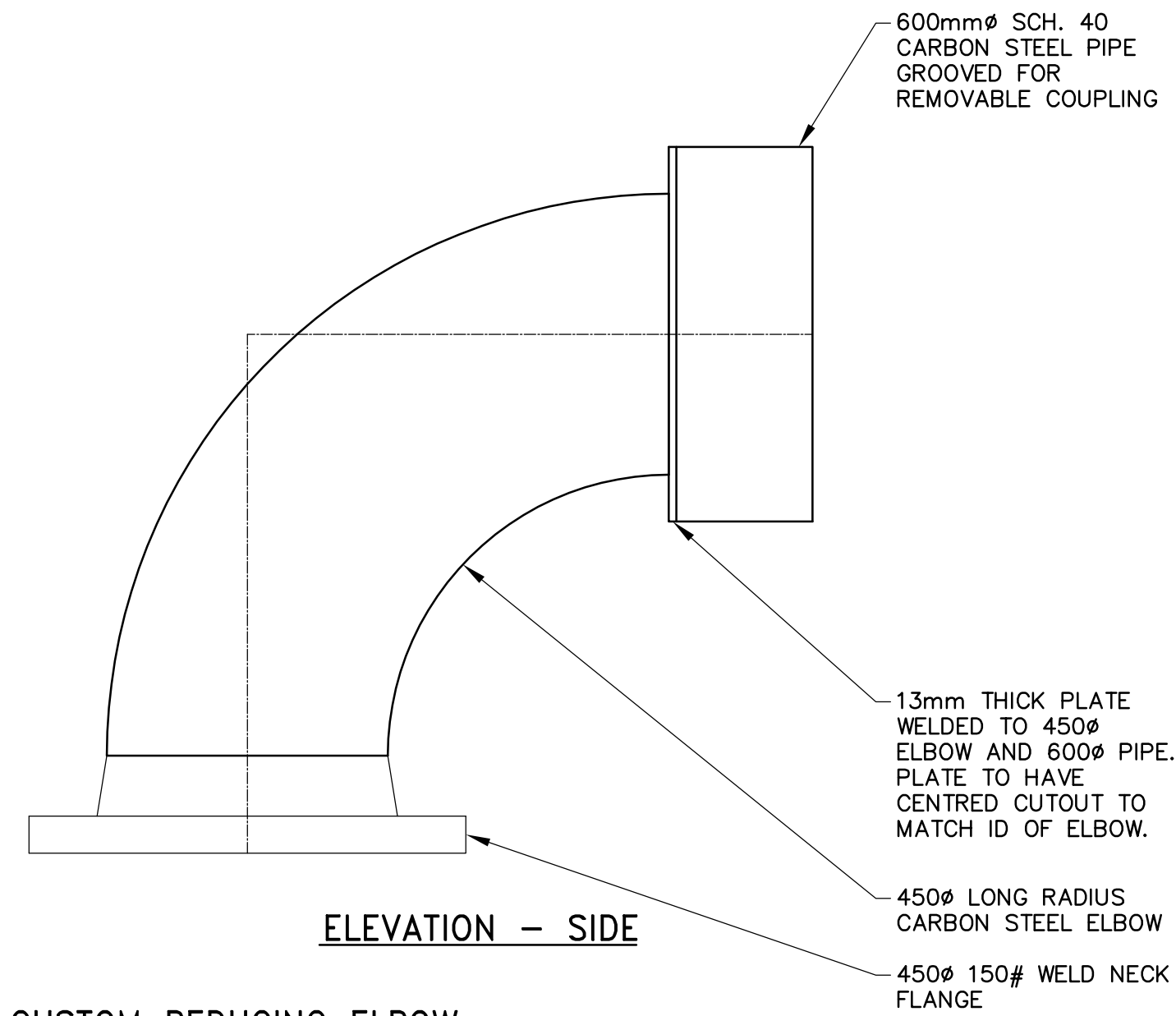


ELEVATION - END

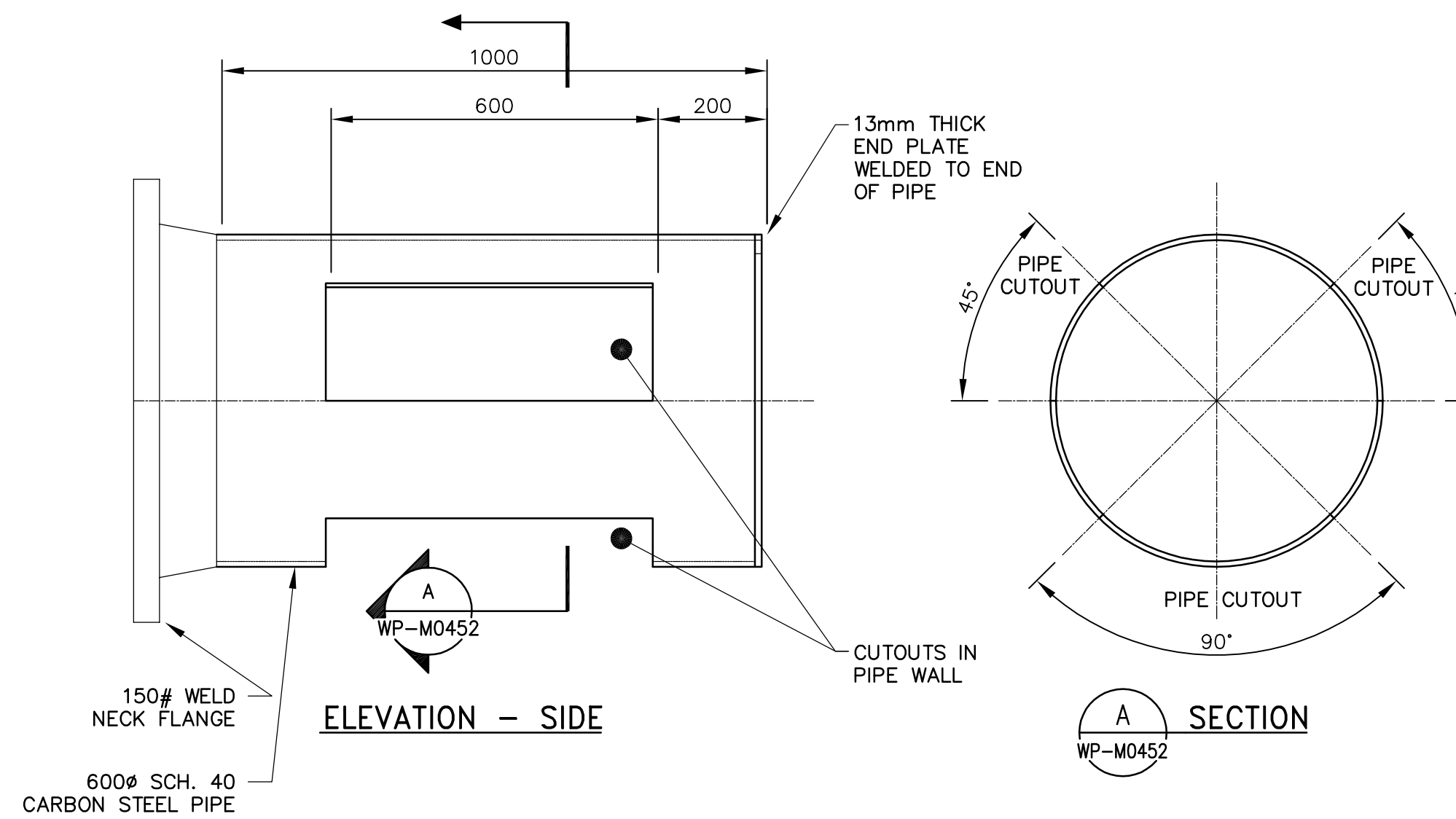
8 DETAIL - CUSTOM REDUCING ELBOW

WP-M0120 1:10
WP-M0206 WP-M0207

NOTE: CUSTOM ELBOW ASSEMBLY TO BE EPOXY COATED



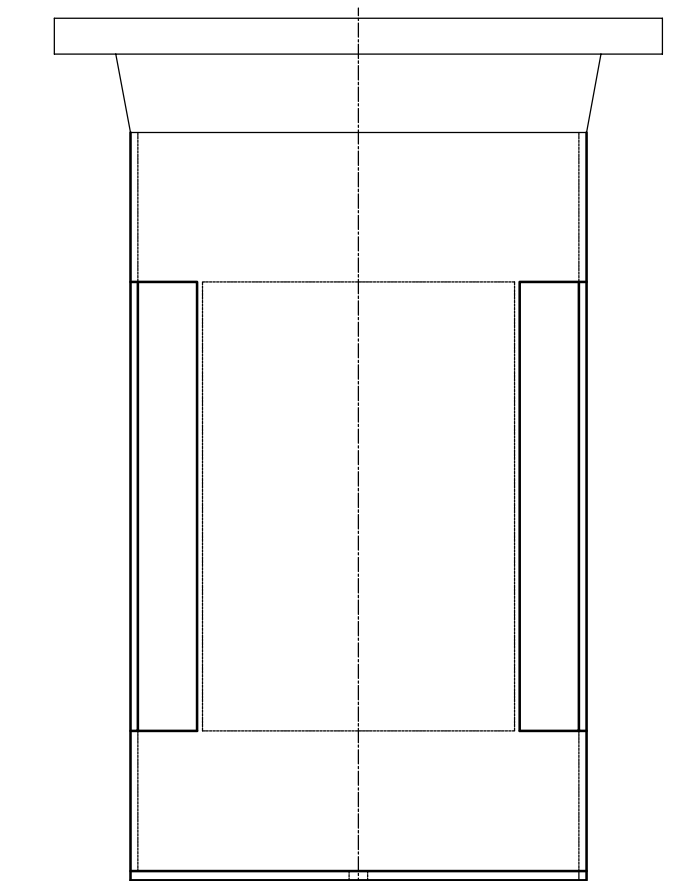
ELEVATION - SIDE



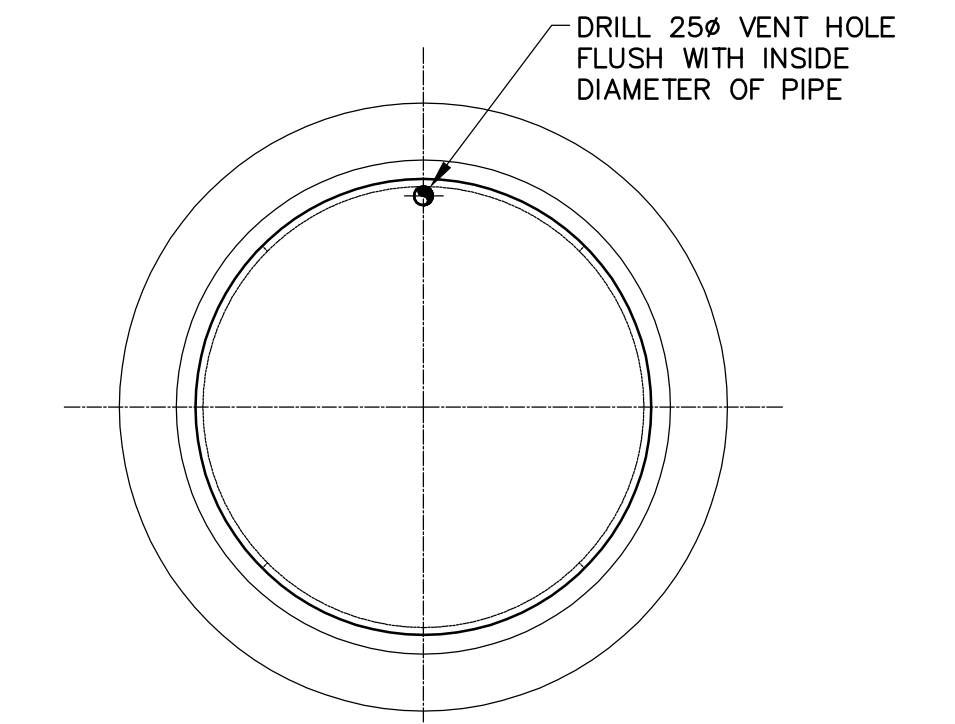
9 DETAIL - ENERGY DISSIPATOR

WP-M0120 1:10
WP-M0206 WP-M0207

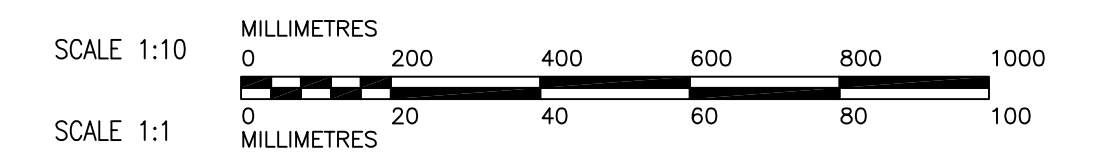
NOTE: DISSIPATOR ASSEMBLY TO BE EPOXY COATED



PLAN



ELEVATION - END



<p>Certificate of Authorization Earth Tech Canada Inc. No. 730 Expiry: April 30, 2006</p>	<p>B.M. ELEV.</p> <table border="1"> <tr><td> </td><td> </td><td> </td></tr> <tr><td> </td><td> </td><td> </td></tr> <tr><td> </td><td> </td><td> </td></tr> <tr><td> </td><td> </td><td> </td></tr> </table>													<p>Frederickson Cooper ARCHITECTS</p>	<p>ENGINEER'S SEAL</p>	<p>THE CITY OF WINNIPEG WATER AND WASTE DEPARTMENT ENGINEERING DIVISION</p>
<p>DESIGNED BY: SB</p> <p>DRAWN BY: PL</p> <p>SCALE: AS SHOWN</p>	<p>CHECKED BY: SMB</p> <p>APPROVED BY: AHL</p> <p>RELEASED FOR CONSTRUCTION BY: R. SOROKOWSKI</p>	<p>ORIGINAL SIGNED BY: S.M. BREESE</p> <p>2006/03/29</p>	<p>CONSULTANT DRAWING NO. WP-M0452</p>	<p>WATER TREATMENT PLANT FLOCCULATION AND DAF MECHANICAL AND ELECTRICAL</p>												
<p>00 ISSUED FOR TENDER 06/03/29 PL</p> <p>NO. REVISIONS DATE BY</p>	<p>DATE 2005/11/09</p>	<p>DATE 2006/03/29</p>	<p>PROCESS MECHANICAL STANDARD DETAILS</p>	<p>CITY FILE NUMBER</p> <p>SHEET OF</p> <p>CITY DRAWING NUMBER 1-0601P-A-M0452-001-000</p>												