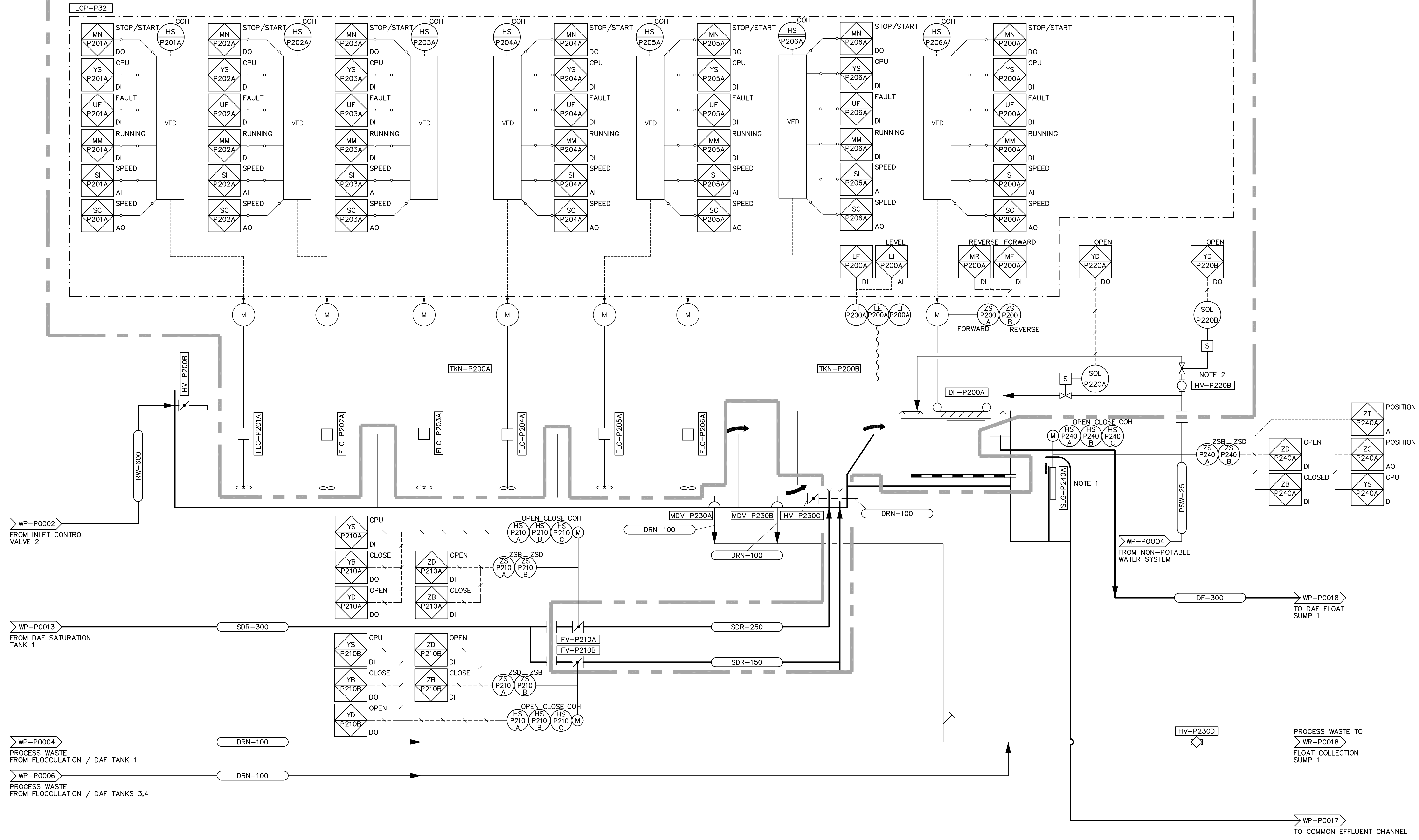


SUPPLY CONTRACTOR PACKAGE



- NOTES:
- GATE IS PART OF VENDOR PACKAGE.
 - BALL VALVE NOT PART OF LEOPOLD'S SCOPE OF SUPPLY.



B.M. ELEV.		CH2MHILL Frederickson Cooper ARCHITECTS		EarthTech A Type International Ltd. Company	
DESIGNED BY	KAS	CHECKED BY	SMB	ENGINEER'S SEAL	
DRAWN BY	LAE	APPROVED BY	AHL	ORIGINAL SIGNED BY	S.M. BREESE
SCALE:	NONE	RELEASED FOR CONSTRUCTION BY:	R. SOROKOWSKI	DATE	2006/03/29
00 ISSUED FOR TENDER	06/03/29	GLG		CONSULTANT DRAWING NO.	WP-P0005
NO. REVISIONS	DATE	BY	DATE	2005/02/16	2006/03/29

THE CITY OF WINNIPEG
WATER AND WASTE DEPARTMENT
ENGINEERING DIVISION

WATER TREATMENT PLANT
FLOCCULATION AND DAF
MECHANICAL AND ELECTRICAL

PROCESS
FLOCCULATION/DAF TANK 2
PROCESS AND INSTRUMENTATION DIAGRAM

CITY FILE NUMBER
SHEET OF
CITY DRAWING NUMBER
1-0601P-G-P0005-001-000