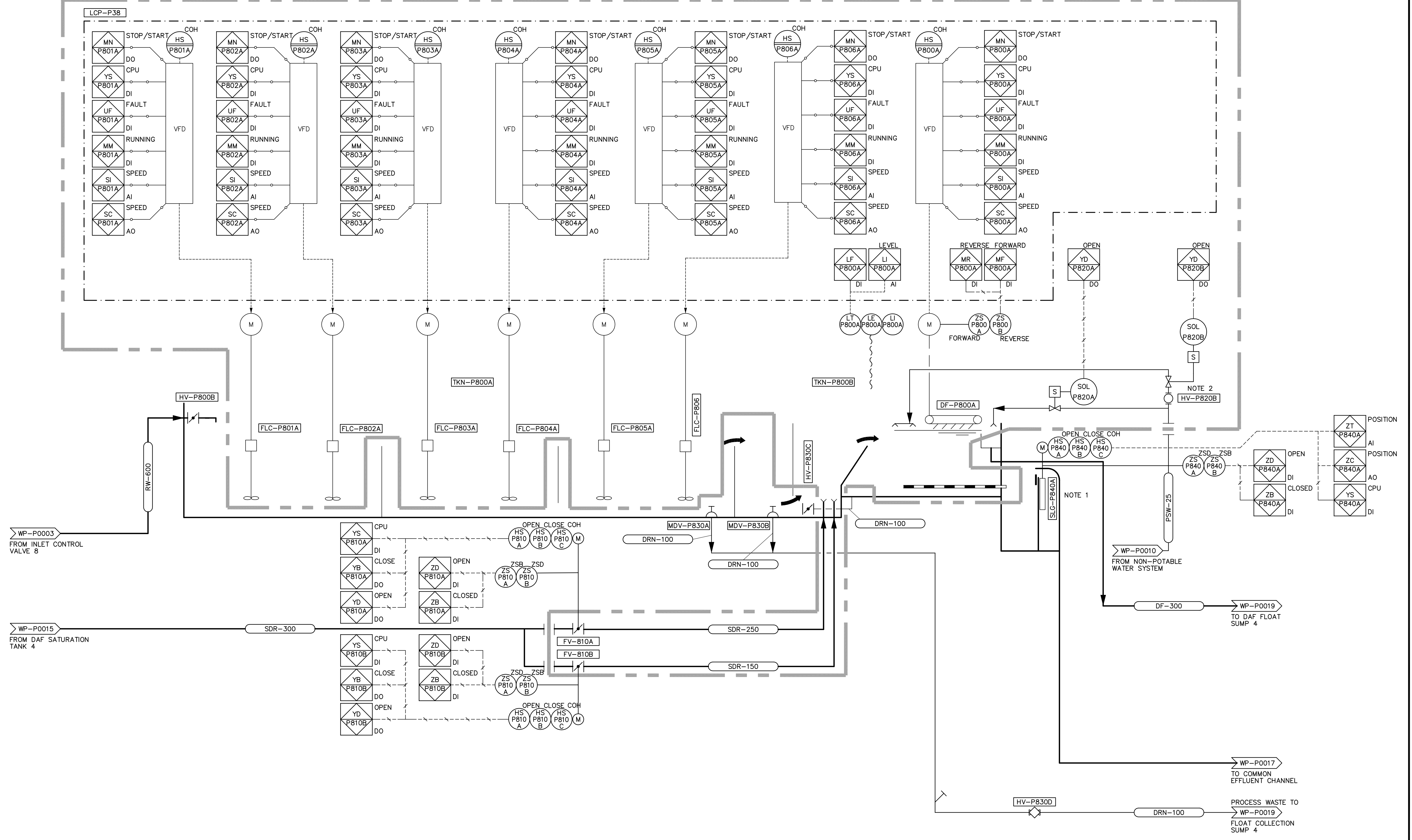


SUPPLY CONTRACTOR PACKAGE



- NOTES:
- GATE IS PART OF VENDOR PACKAGE.
  - BALL VALVE NOT PART OF LEOPOLD'S SCOPE OF SUPPLY.

**APECIA**  
 Certificate of Authorization  
 Earth Tech Canada Inc.  
 No. 730 Expiry: April 30, 2006

B.M. ELEV.					
DESIGNED BY	KAS	CHECKED BY	SMB		
DRAWN BY	LAE	APPROVED BY	AHL		
SCALE:	NONE	RELEASED FOR CONSTRUCTION BY:	R. SOROKOWSKI		
00 ISSUED FOR TENDER	06/03/29	LAE			
NO. REVISIONS	DATE	BY	DATE	2005/02/16	2006/03/29

ENGINEER'S SEAL  
 ORIGINAL SIGNED BY  
 S.M. BREESE  
 2006/03/29  
 CONSULTANT DRAWING NO.  
 WP-P0011

**THE CITY OF WINNIPEG**  
 WATER AND WASTE DEPARTMENT  
 ENGINEERING DIVISION

WATER TREATMENT PLANT  
 FLOCCULATION/DAF TANK 8  
 MECHANICAL AND ELECTRICAL

PROCESS  
 FLOCCULATION/DAF TANK 8  
 PROCESS AND INSTRUMENTATION DIAGRAM

CITY FILE NUMBER  
 SHEET OF  
 CITY DRAWING NUMBER  
 1-0601P-G-P0011-001-000