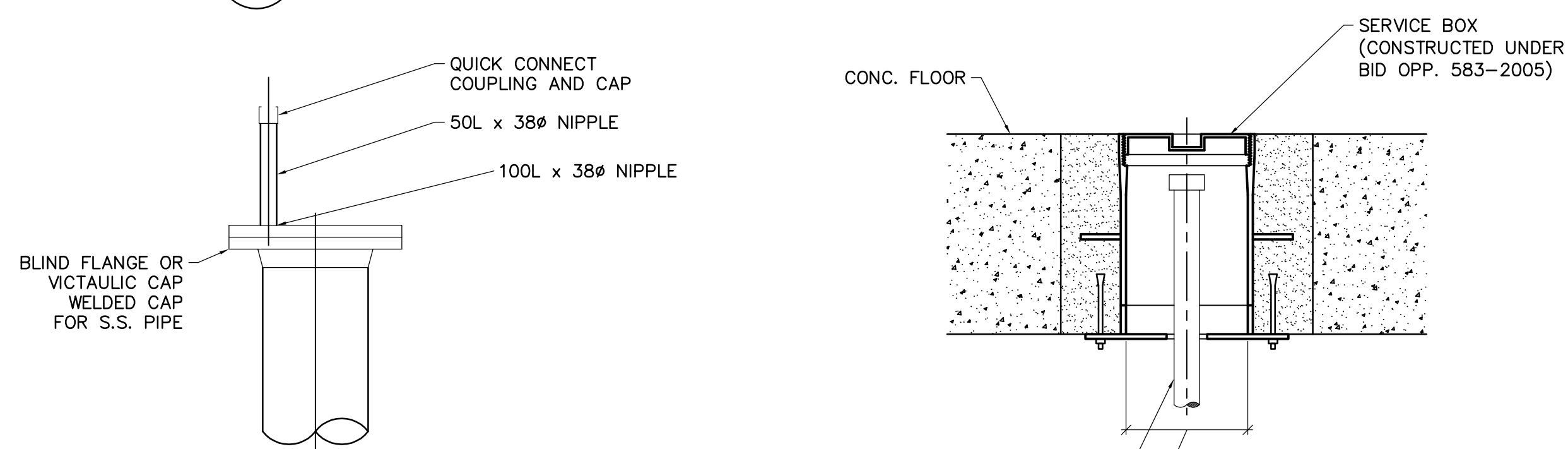
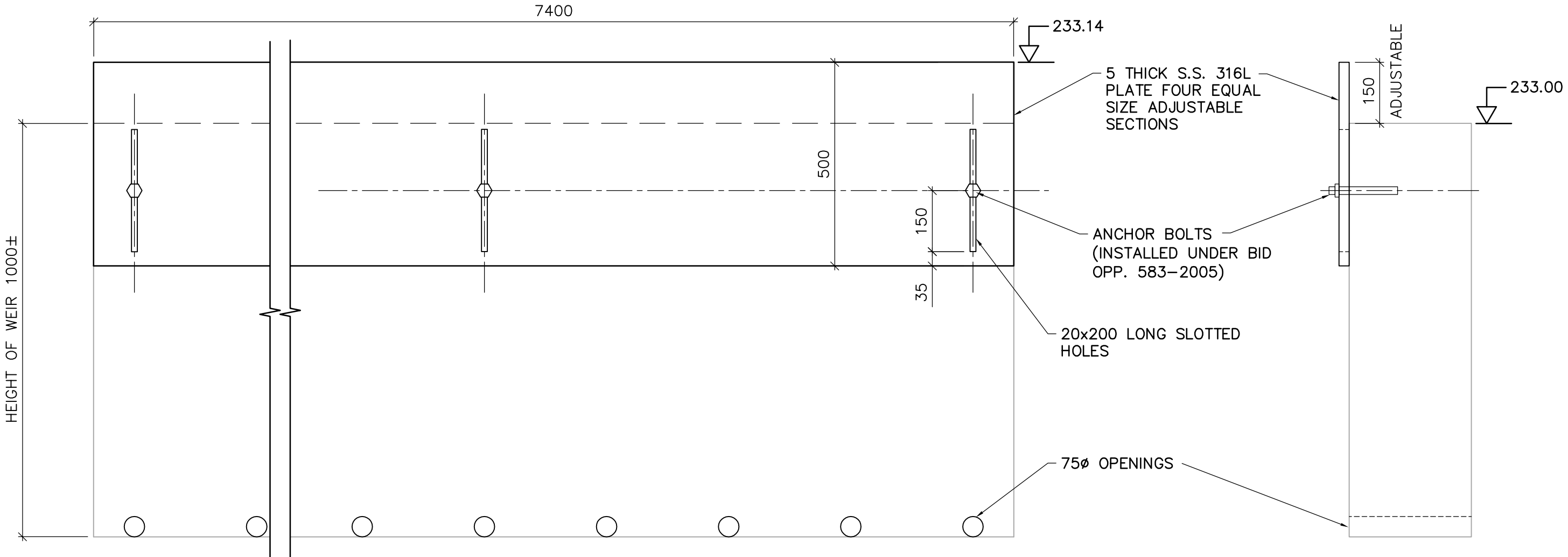


A SECTION
WR-M0101 1:50

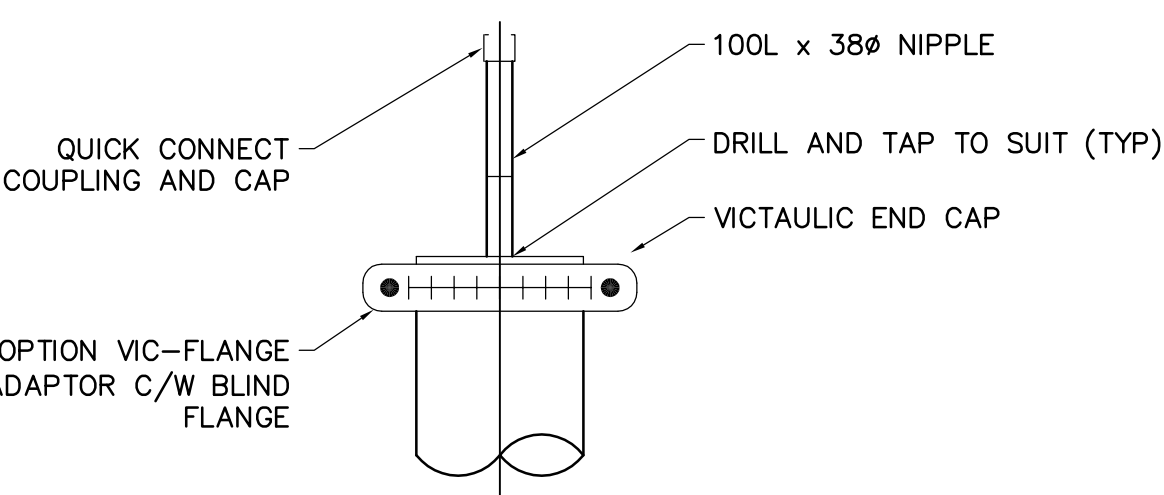


1 SERVICE BOX DETAIL
WR-M0201 NTS



2 WEIR PLATE DETAIL
WR-M0201 1:50

FLUSHING CONNECTION "WELDED"



3 FLUSHING CONNECTION
WR-M0201 NTS

NOTE:
1. FOR ADDITIONAL INFORMATION ON PIPE EMBEDS REFER TO SERIES WR-M9000 DRAWINGS.

	B.M. ELEV.			ENGINEER'S SEAL			
				DESIGNED BY SM		CHECKED BY SRB	ORIGINAL SIGNED BY S.R. BILEVICIUS
				DRAWN BY JBC		APPROVED BY AHL	2006/03/29
				SCALE: 1:50		RELEASED FOR CONSTRUCTION BY: R. SOROKOWSKI	CONSULTANT DRAWING NO. WR-M0201
	00			ISSUED FOR TENDER		06/03/29	JBC

CITY FILE NUMBER: _____ SHEET OF: _____ CITY DRAWING NUMBER: 1-0601R-A-M0201-001-000