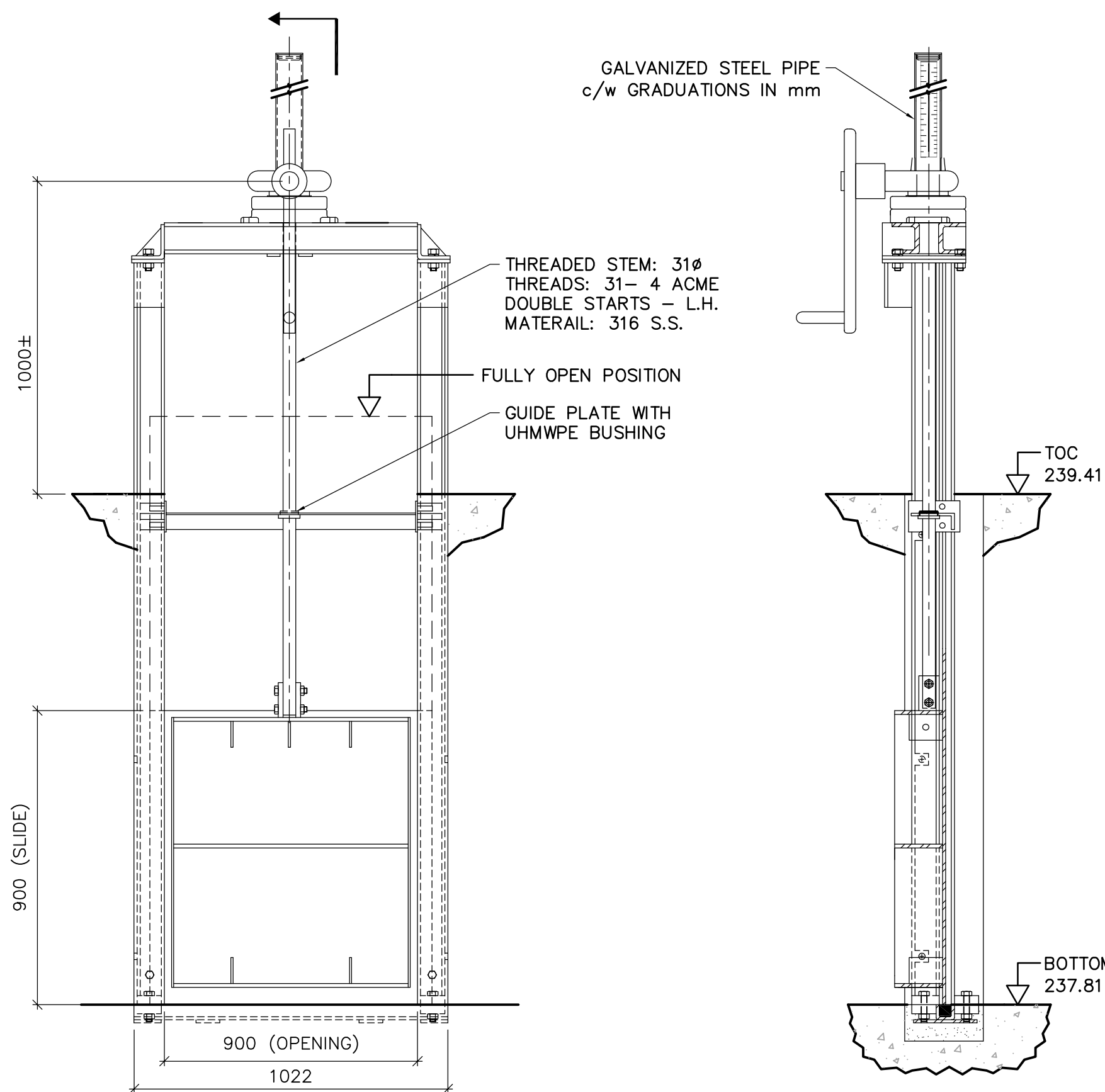
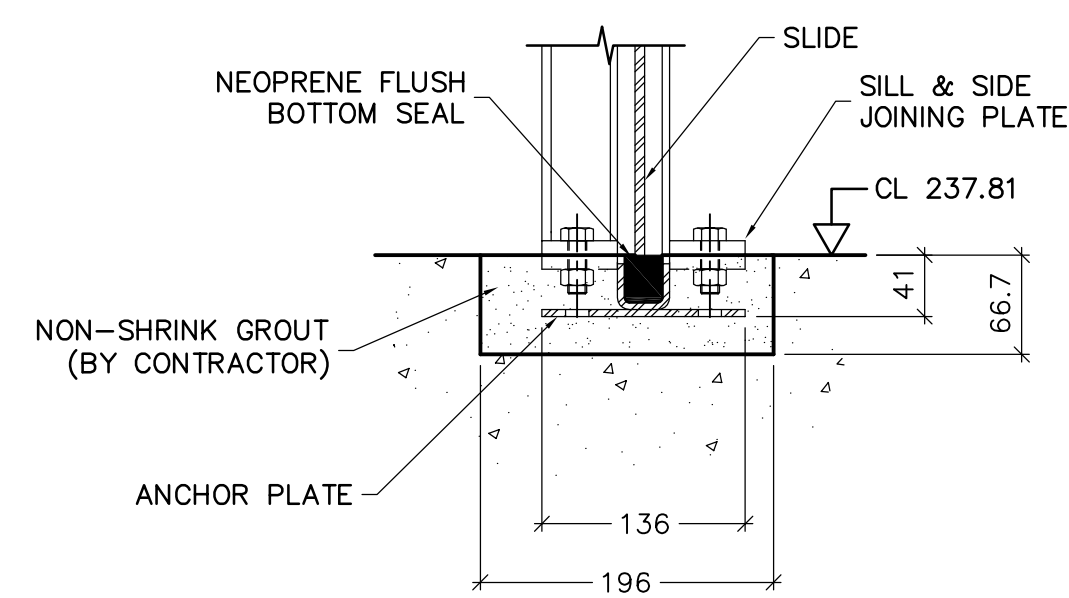


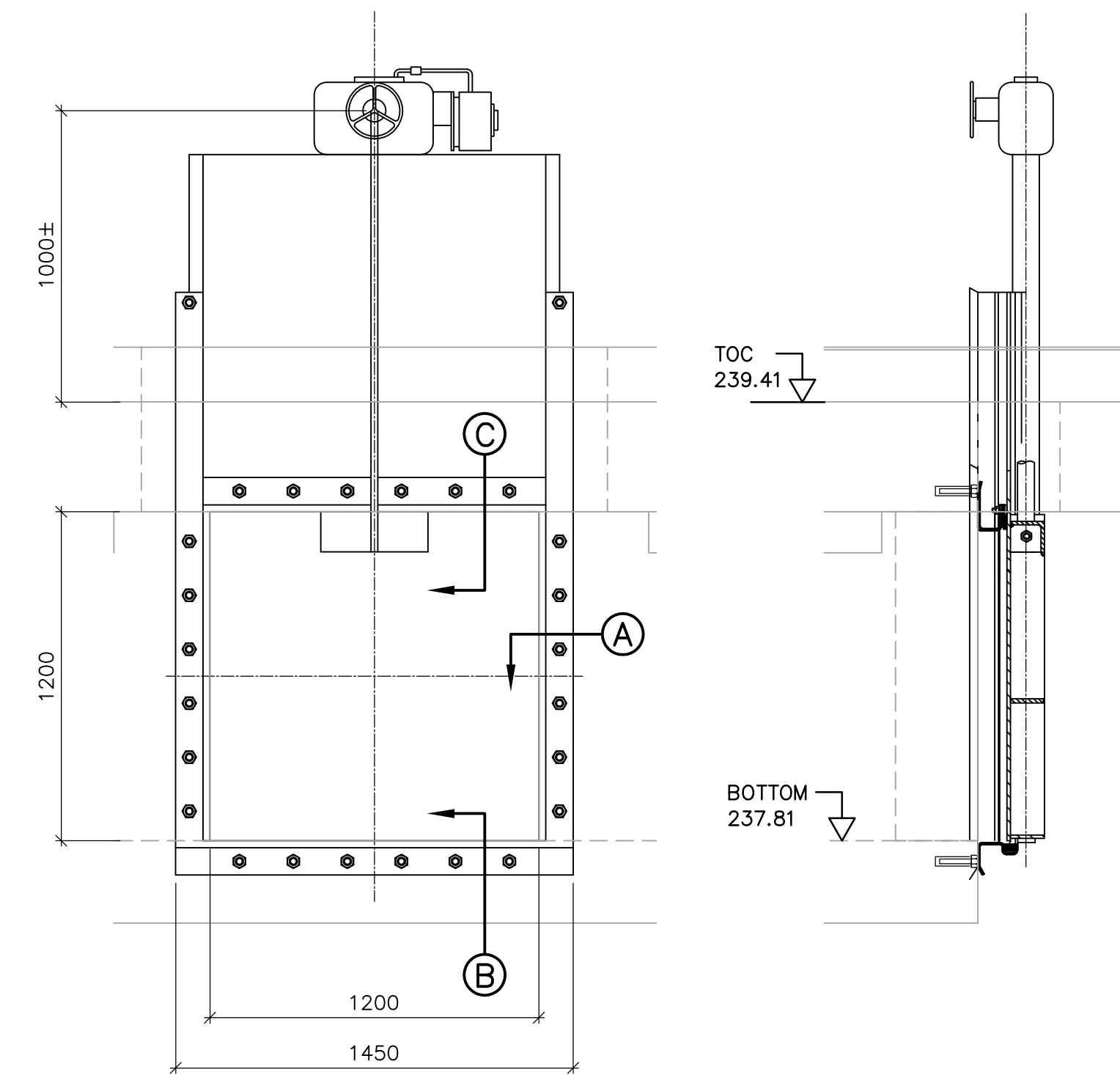
D SECTION
WR-M0101 1:50



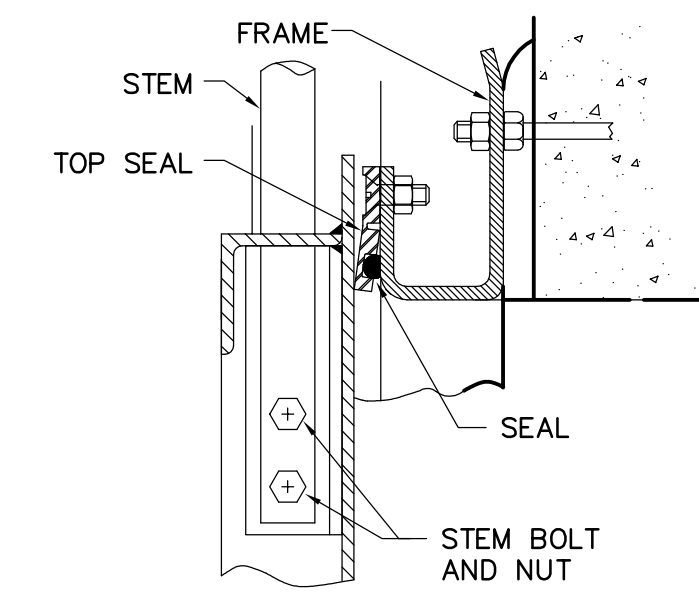
NOTE:
1. ALL SLUICE GATES TO BE SUPPLIED UNDER BID OPPORTUNITY No. 561-2005 AND INSTALLED UNDER THIS CONTRACT.



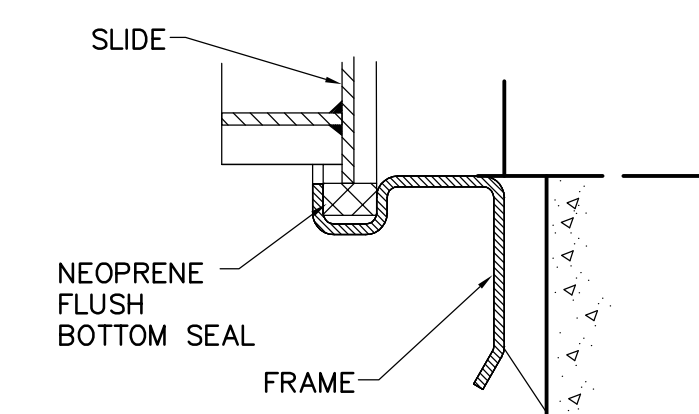
3 FLUSH BOTTOM FRAME DETAIL
NTS



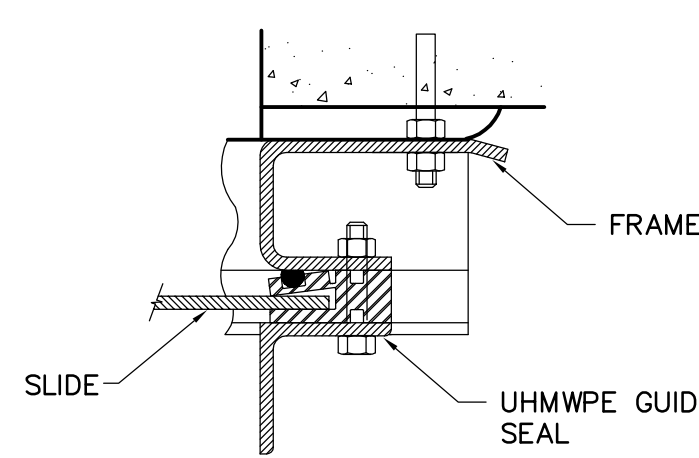
4 1200x1200 SLUICE GATE DETAIL
NTS



SECTION C



SECTION B



SECTION A

1 ELEVATION
NTS

2 SECTION
NTS

<p>Certificate of Authorization Earth Tech Canada Inc. No. 730 Expiry: April 30, 2006</p>	<p>B.M. ELEV.</p>	<p>Frederickson Cooper ARCHITECTS</p>	<p>A Type International Ltd. Company</p>	<p>ENGINEER'S SEAL</p> <p>ORIGINAL SIGNED BY S.R. BILEVICIUS 2006/03/29</p>	<p>THE CITY OF WINNIPEG WATER AND WASTE DEPARTMENT ENGINEERING DIVISION</p>
	<p>DESIGNED BY: SM DRAWN BY: JBC SCALE: 1:50</p>				
<p>00 ISSUED FOR TENDER 06/03/29 JBC</p>	<p>NO. REVISIONS DATE BY</p>	<p>DATE 2005/09/29</p>	<p>DATE 2006/03/29</p>	<p>2006/03/29</p>	<p>PROCESS MECHANICAL SECTIONS AND DETAILS</p>