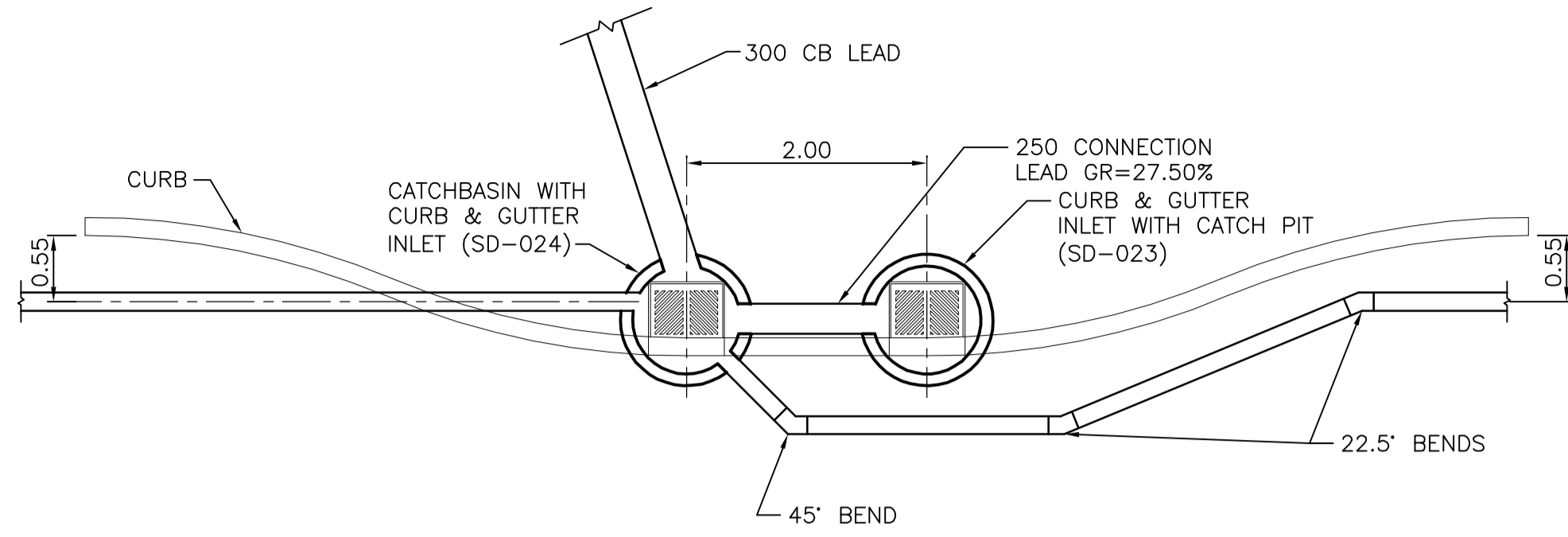
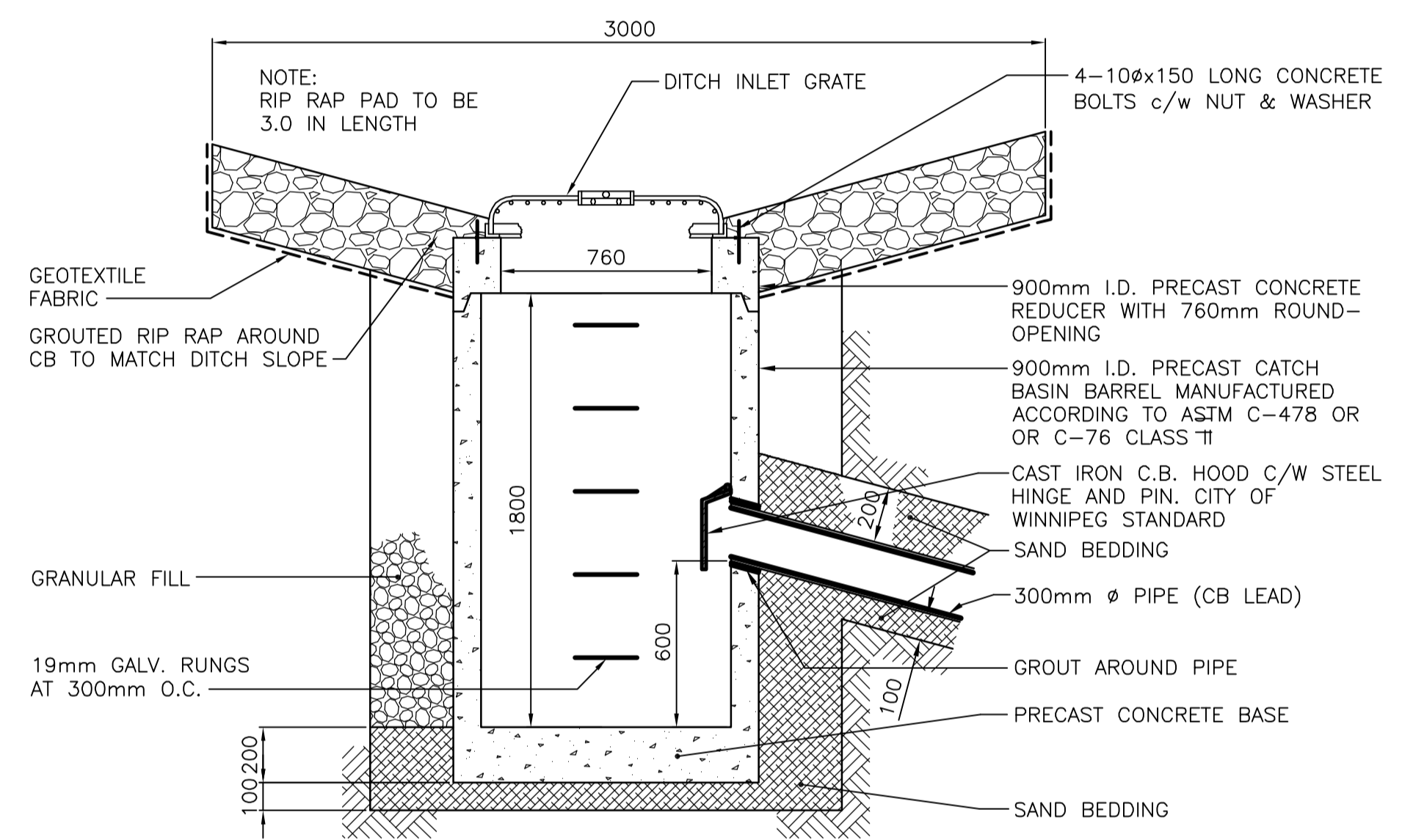


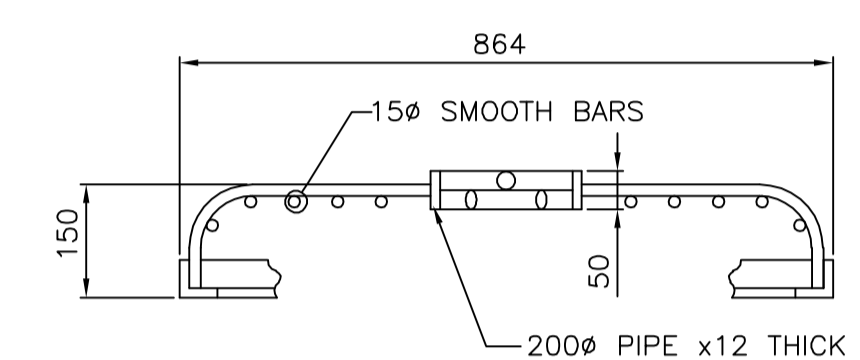
**1 DUAL INLETS WITH LEADS**  
 32 51 1:50



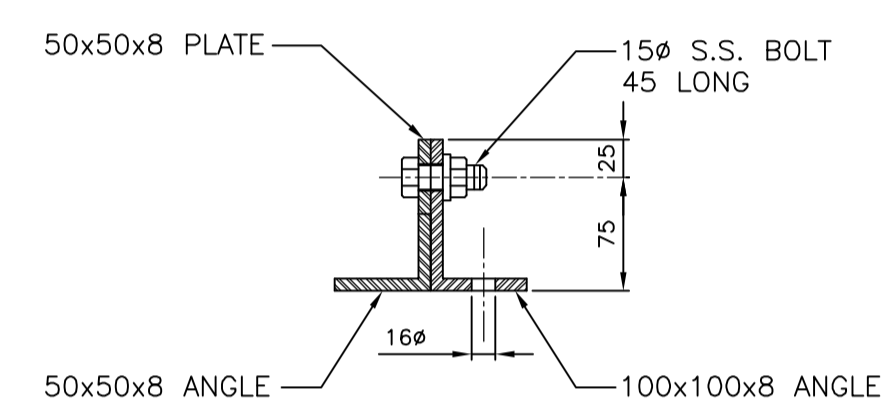
**3 DUAL INLETS WITH LEADS**  
 34 51 1:50



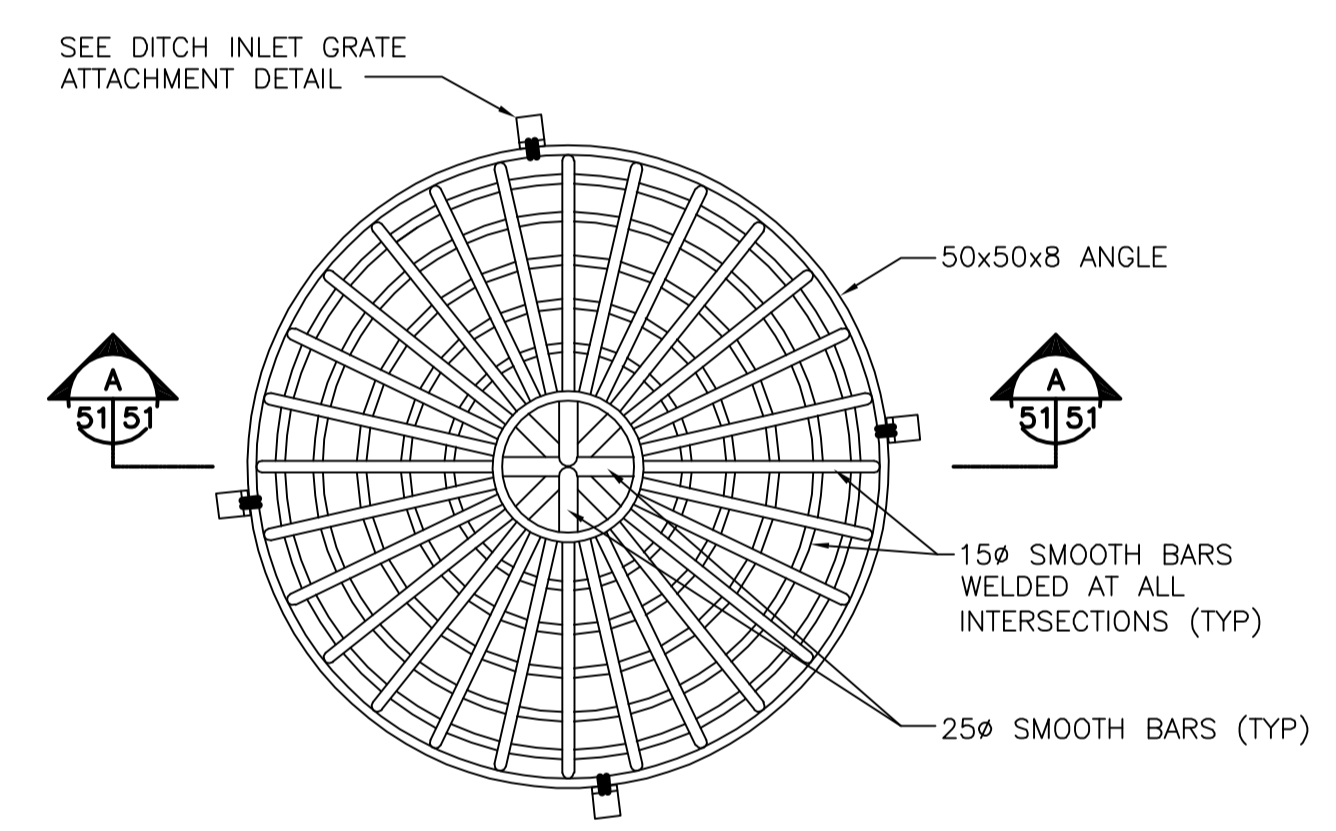
**2 DITCH CATCHBASIN DETAIL**  
 32 51 1:25



**A SECTION**  
 51 51 1:10



**DITCH INLET GRATE ATTACHMENT**  
 1:5



NOTES:  
 DITCH INLET GRATE TO BE SHOPOST IRONWORKS MK A1 OR APPROVED EQUAL.  
 GALVANIZE ENTIRE ASSEMBLY AFTER FABRICATION.

**3 DITCH INLET GRATE DETAIL**  
 51 51 1:10

K:\1170342\1170342 - Kenaston U/G - RASOS\ACAD\DWG-SET\CONTRACT\UG-PLAN\DETAILS-UG.dwg  
 2005-03-24 11:25AM By: jgd

**METRIC**  
 WHOLE NUMBERS INDICATE MILLIMETRES  
 DECIMALIZED NUMBERS INDICATE METRES

**WARNING**  
 IF POWER EQUIPMENT OR EXPLOSIVES ARE TO BE USED FOR EXCAVATION ON THIS PROJECT THE CONTRACTOR MUST:  
 1) NOTIFY THE GAS COMPANY OF THE PROPOSED LOCATION OF EXCAVATION.  
 2) TAKE PRECAUTION TO AVOID DAMAGE TO GAS COMPANY INSTALLATIONS.  
 SEE PROVINCIAL REGULATION 140/92 FOR DETAILS

LOCATION APPROVED UNDERGROUND STRUCTURES			
SUPV. U/G STRUCTURES COMMITTEE	DATE		
NOTE: LOCATION OF UNDERGROUND STRUCTURES AS SHOWN ARE BASED ON THE BEST INFORMATION AVAILABLE BUT NO GUARANTEE IS GIVEN THAT ALL EXISTING UTILITIES ARE SHOWN OR THAT THE GIVEN LOCATIONS ARE EXACT. CONFIRMATION OF EXISTENCE AND EXACT LOCATION OF ALL SERVICES MUST BE OBTAINED FROM THE INDIVIDUAL UTILITIES BEFORE PROCEEDING WITH CONSTRUCTION.			
NO.	REVISIONS	DATE	BY
1	ISSUED FOR TENDER	05.03.29	GWM
0	ISSUED FOR CLIENT REVIEW	05.02.28	AJR

B.M.	ELEV.

Stantec Consulting Ltd. 905 Waverley Street, Winnipeg, Manitoba Tel 204-489-5900 Fax 204-453-9012		ENGINEER'S SEAL	
		ORIGINAL SEALED BY A.J. RAPOSO P. ENG. 05.03.24	
DESIGNED BY	JKH, AJR	CHECKED BY	AJR
DRAWN BY	TAG	APPROVED BY	GWM
HOR. SCALE:	AS SHOWN	AUTHORIZED BY:	DATE
VERTICAL:	AS SHOWN	R. FINGAS	05.03.24
		R. FINGAS, P. ENG. BRIDGE PROJECTS ENGINEER	

CONSULTANT DRAWING NO.	<b>113703042-U21</b>
------------------------	----------------------

Certificate of Authorization  
 Stantec Consulting Ltd.  
 No. 1301 Expiry: April 30, 2005

**PRELIMINARY**  
 NOT FOR CONSTRUCTION

**THE CITY OF WINNIPEG**  
 PUBLIC WORKS DEPARTMENT  
 ENGINEERING DIVISION

**KENASTON UNDERPASS**  
 STERLING LYON PARKWAY (EAST)

SHEET	OF
51	60
CAD FILE DRAWING NUMBER	
details-ug.dwg	
CITY DRAWING NUMBER	
D-8631	