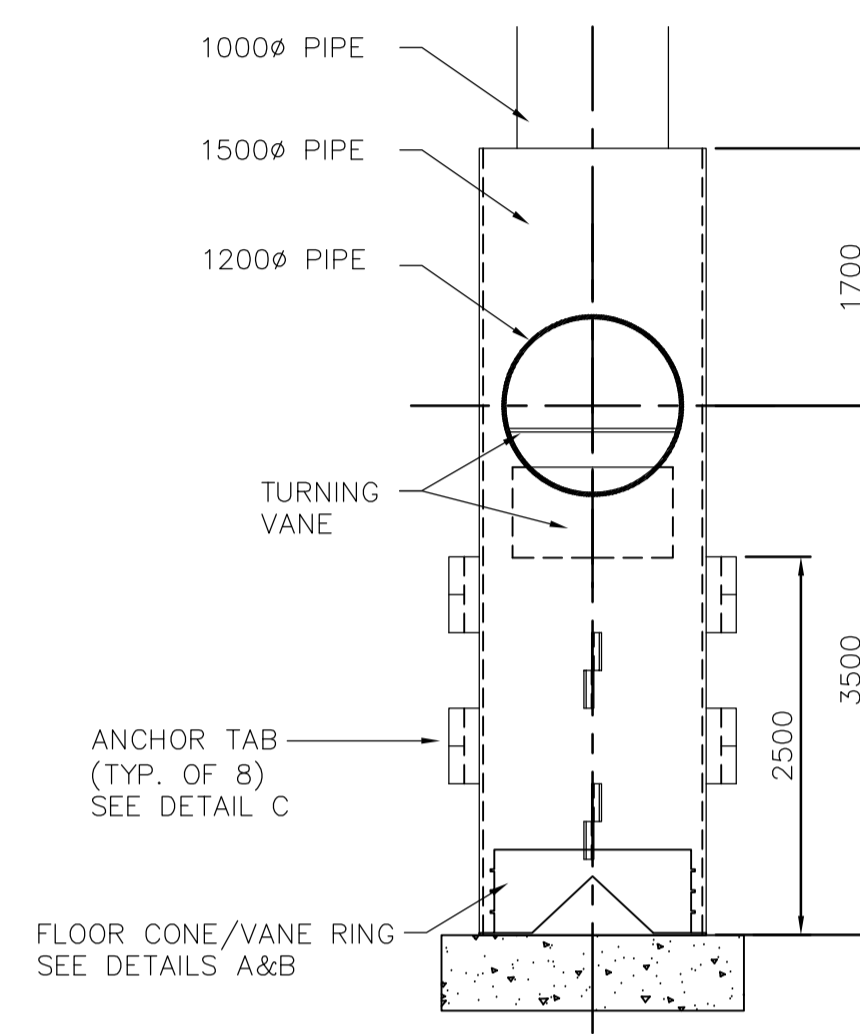
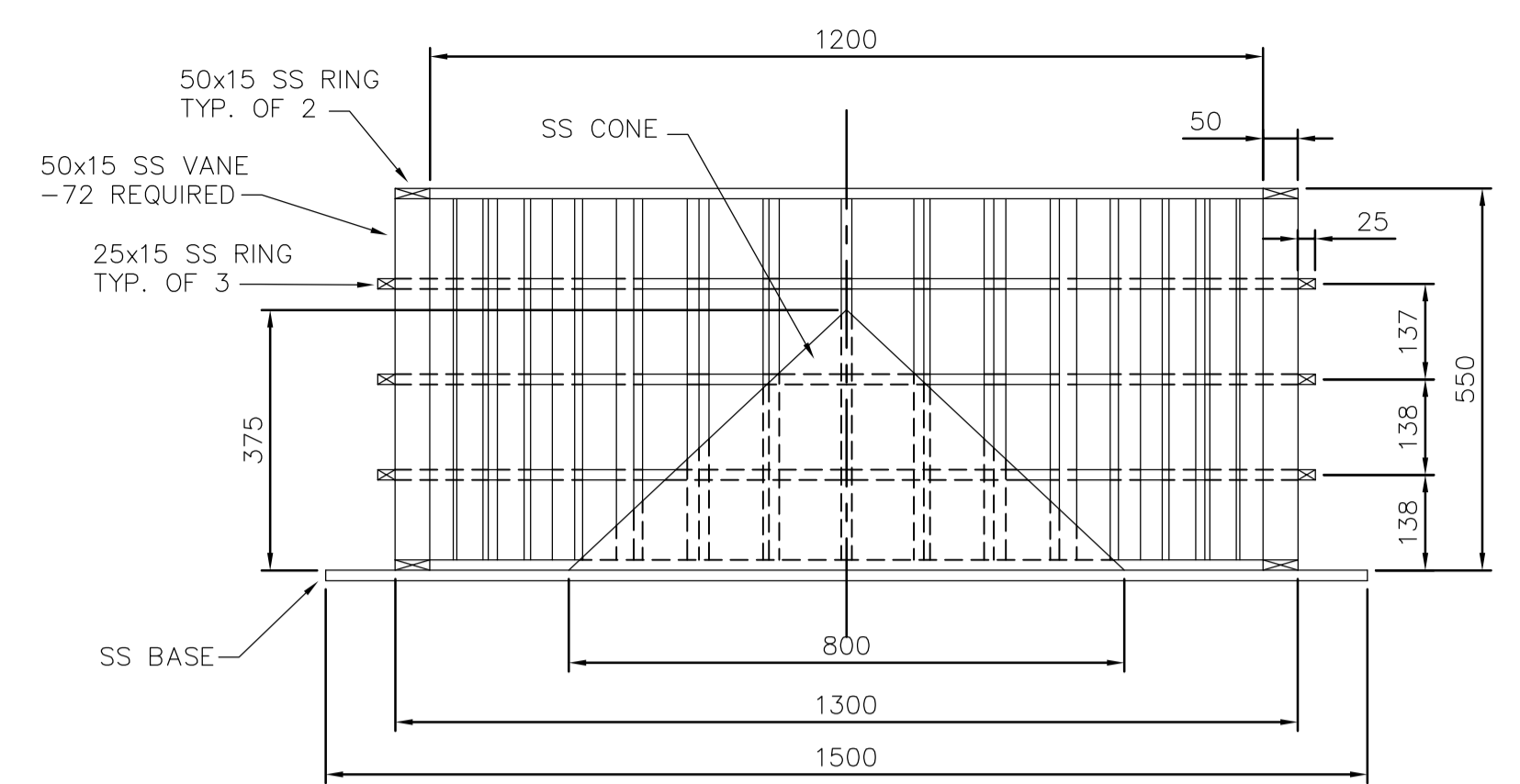


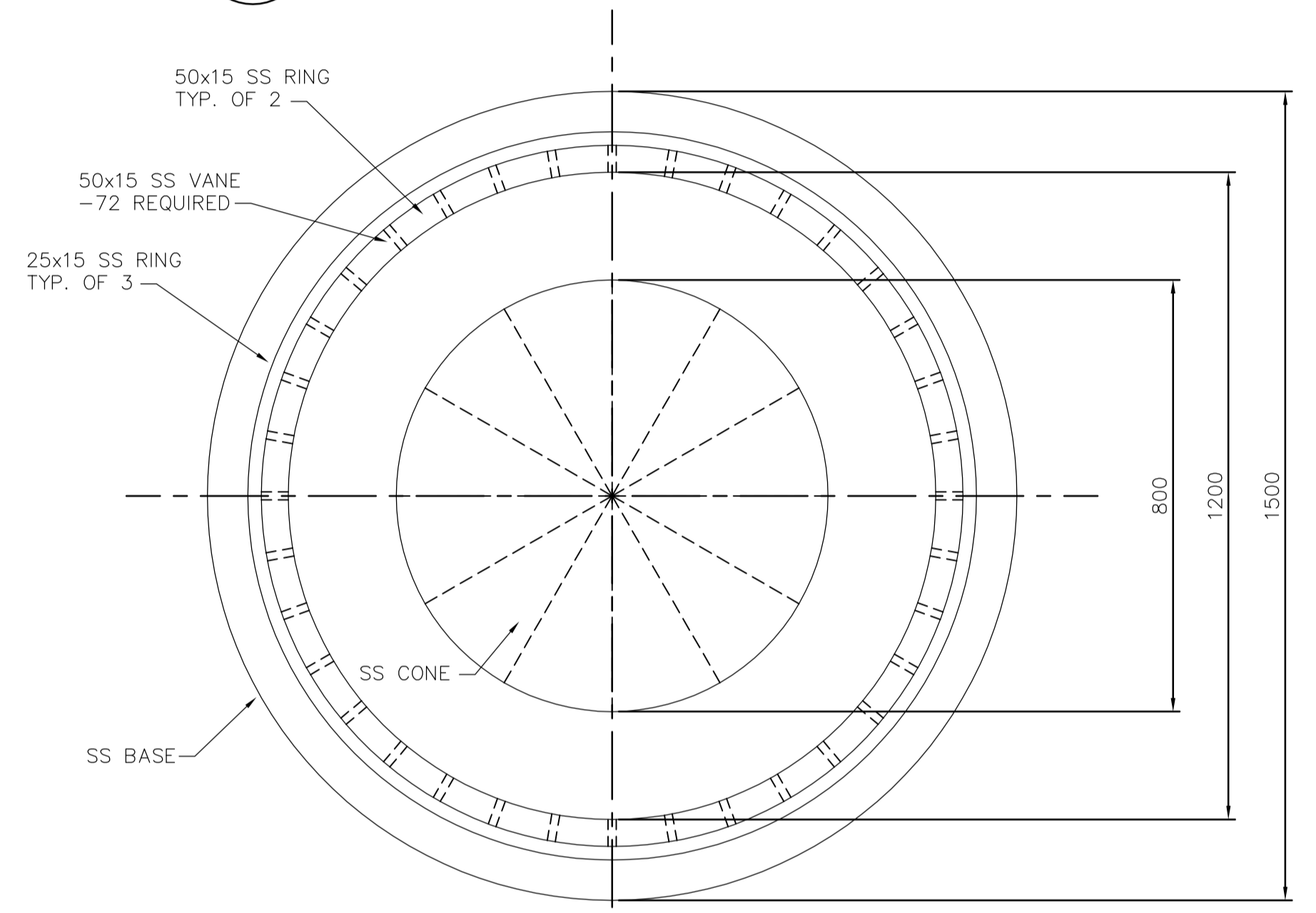
**1** DETAIL  
P1.02 SCALE 1:50



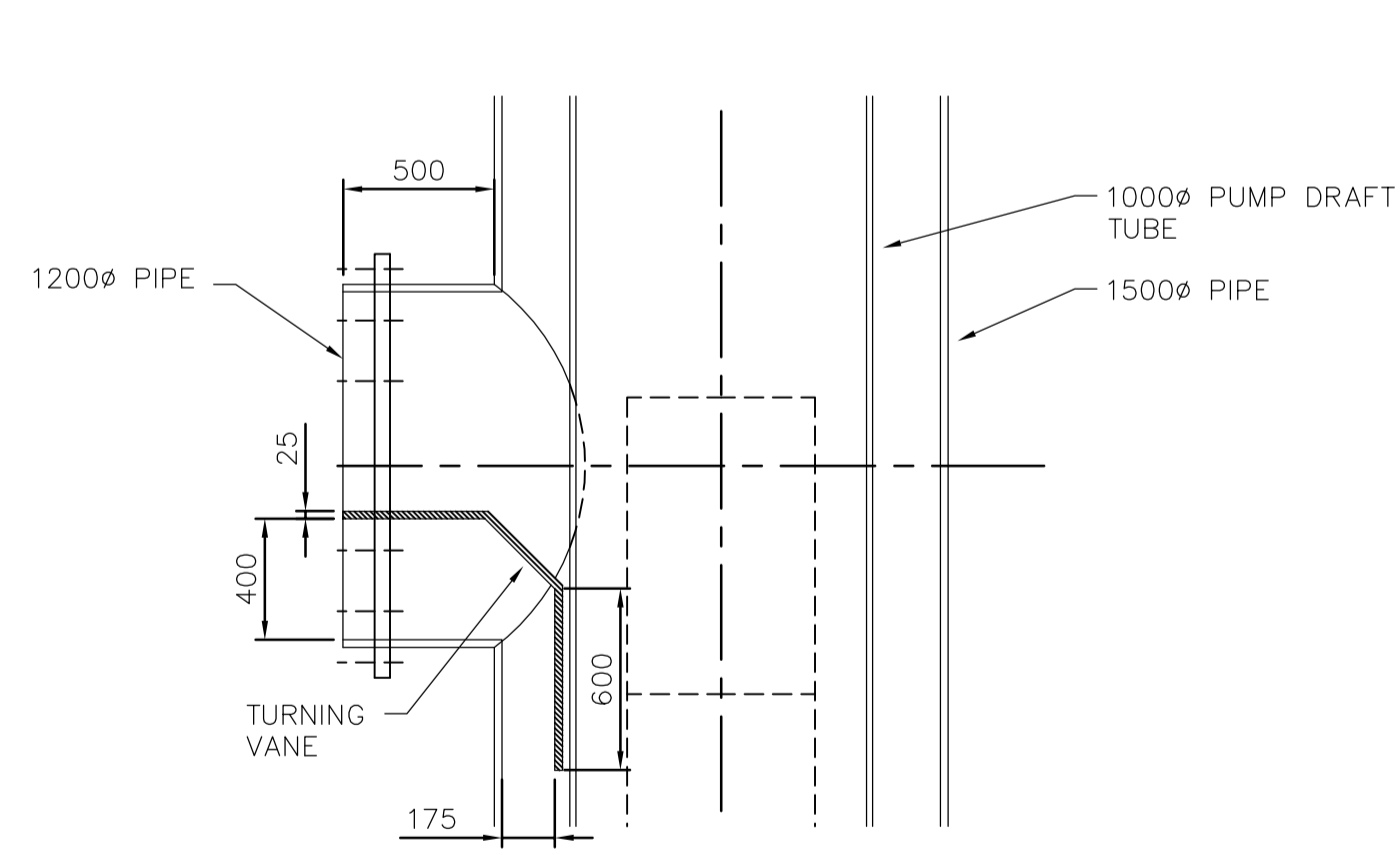
**2** SECTION  
P1.02 SCALE 1:50



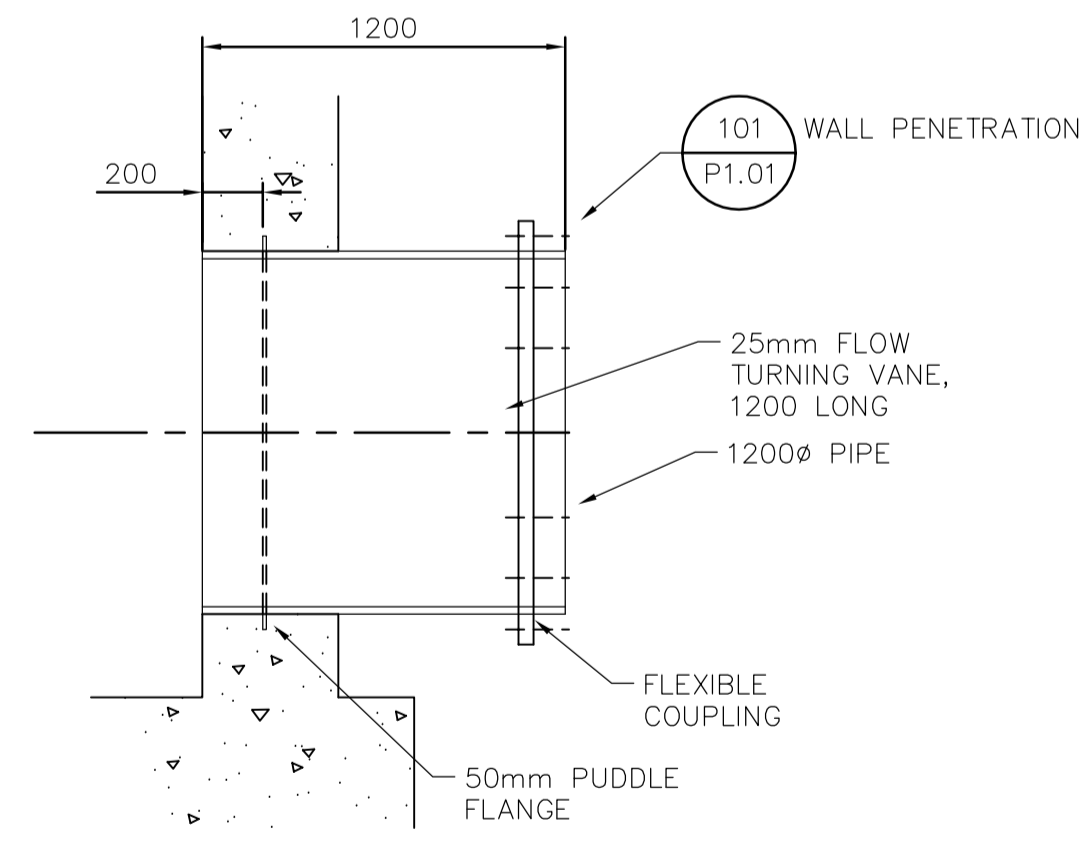
**A** FLOOR CONE/VANE RING DETAIL - SECTION  
P1.02 SCALE 1:10



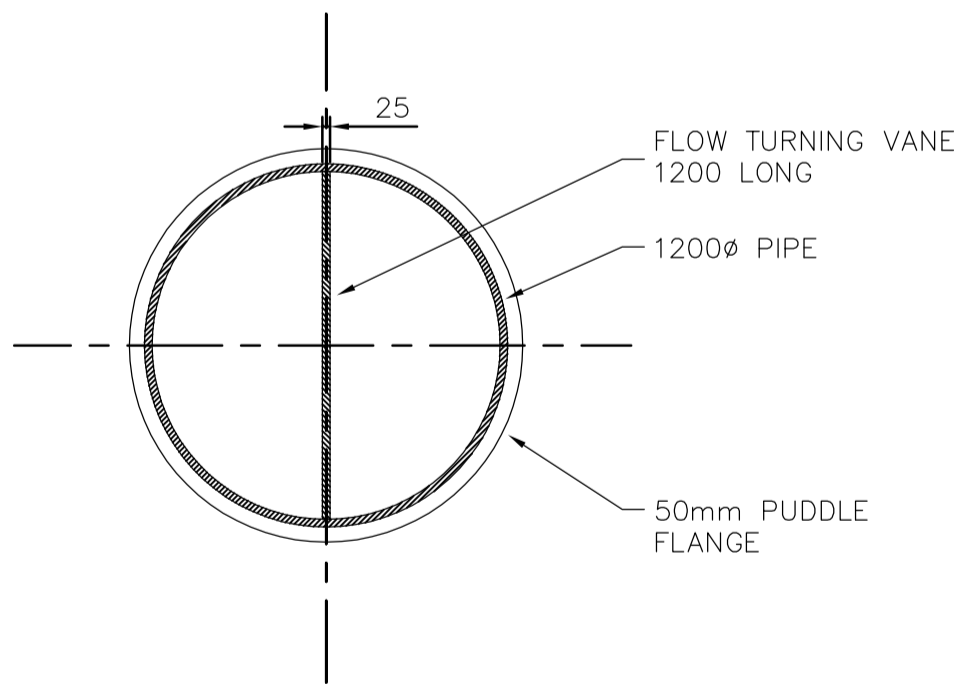
**B** FLOOR CONE/VANE RING DETAIL - PLAN  
P1.02 SCALE 1:10



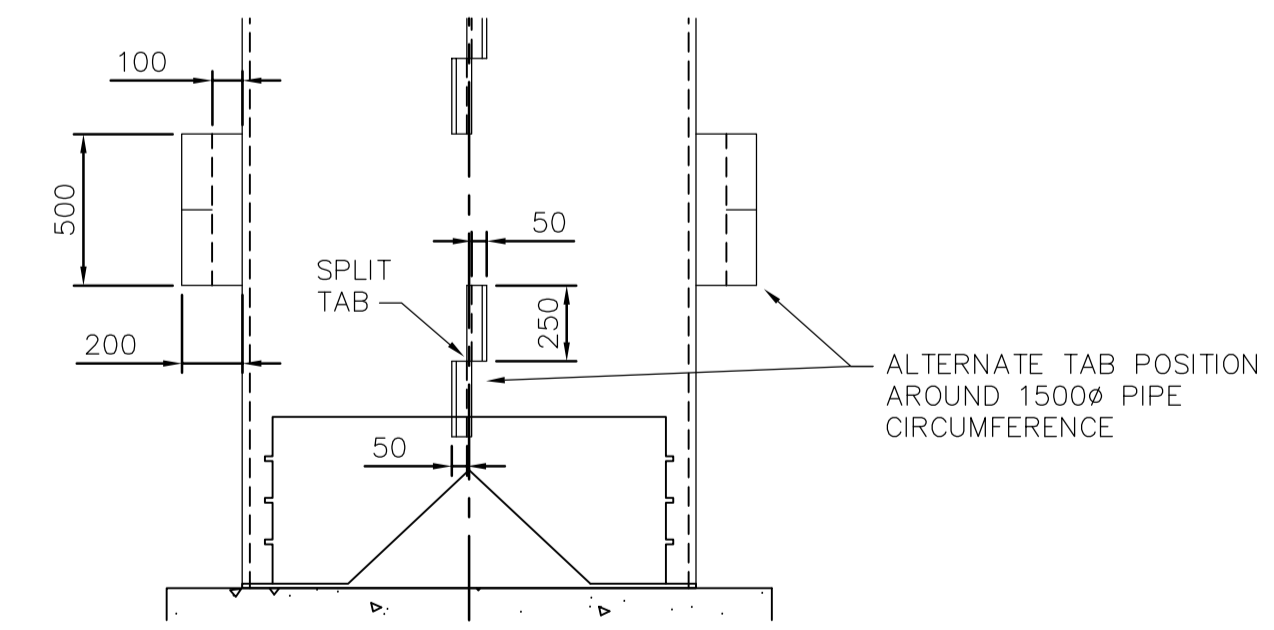
**3** DETAIL  
P1.02 SCALE 1:25



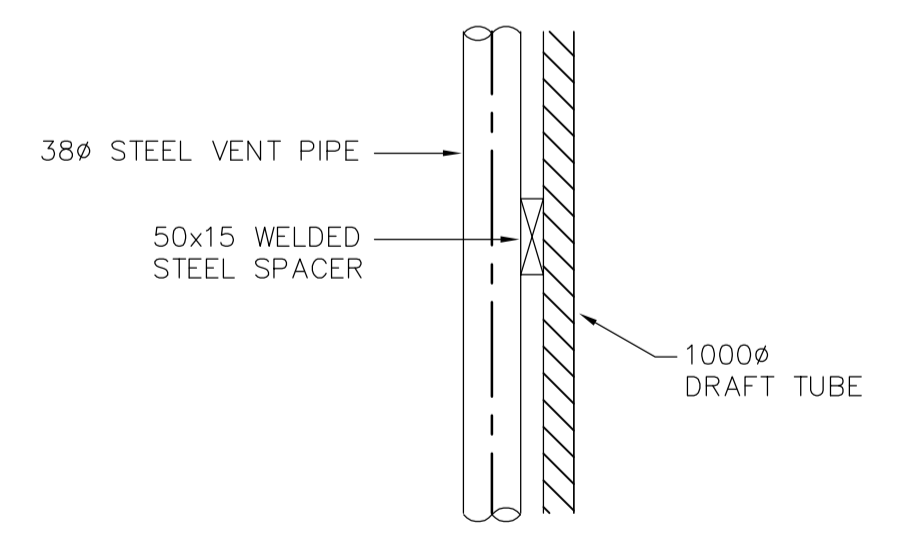
**4** DETAIL  
P1.02 SCALE 1:25



**5** SECTION  
P1.02 SCALE 1:25



**C** ANCHOR TAB DETAIL  
P1.02 SCALE 1:50



**D** VENT PIPE ATTACHMENT  
P1.02 SCALE 1:5

**NOTES**

1. MATERIALS: CARBON STEEL, GRADE TO BE DETERMINED BY PUMP MANUFACTURER
2. COATING AND FINISH AS SPECIFICATION SECTION 11901
3. DIMENSION SHOWN TO CONCRETE STRUCTURES ARE FIXED, PIPE THICKNESS TO BE DETERMINED BY THE CONTRACTOR.
4. PUMPS, DRAFT TUBES, INTERCONNECTING PIPES AND COUPLINGS PROVIDED BY THE CONTRACTOR, INSTALLED BY THE INSTALLATION CONTRACTOR.



B.M. ELEV.			
DESIGNED BY	HH	CHECKED BY	HH
DRAWN BY	KJW	APPROVED BY	JEH
HOR. SCALE:	AS NOTED	RELEASED FOR CONSTRUCTION BY:	D. GIBSON
VERTICAL SCALE:	AS NOTED	DATE	2005-03-22
ISSUED FOR TENDER	22/03/05	DATE	2005/03/22
NO. REVISIONS		DATE	

**EARTH TECH**  
Earth Tech (Canada) Inc. Winnipeg, Manitoba 204.477.5381

ENGINEER'S SEAL  
ORIGINAL SIGNED BY  
J.E. HUTCHISON  
MAR. 22/05  
CONSULTANT DRAWING NO.  
66303D-CP1.05C3

**THE CITY OF WINNIPEG**  
Winnipeg WATER AND WASTE DEPARTMENT

**NEWPC - SECONDARY EFFLUENT UV DISINFECTION FACILITY**

PROCESS  
AXIAL FLOW PUMP OUTLINE  
GENERAL ARRANGEMENT AND DETAILS

CITY FILE NUMBER	
SHEET # OF #S	
CITY DRAWING NUMBER	