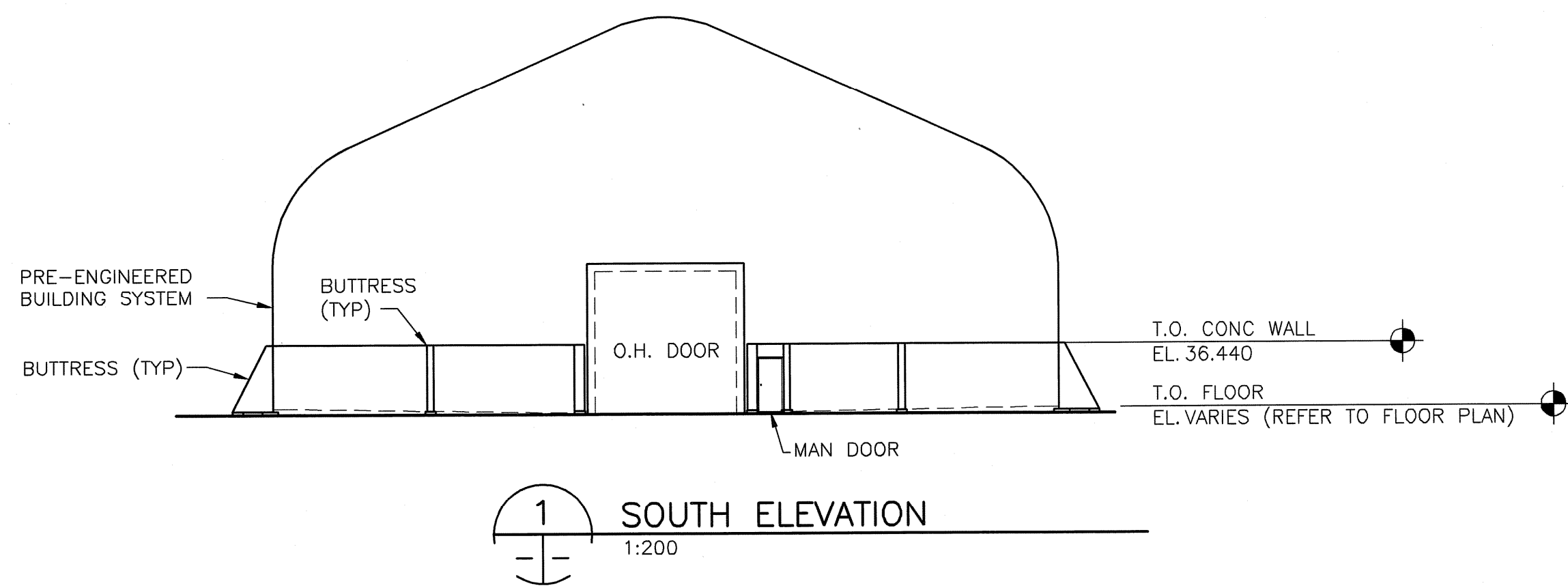
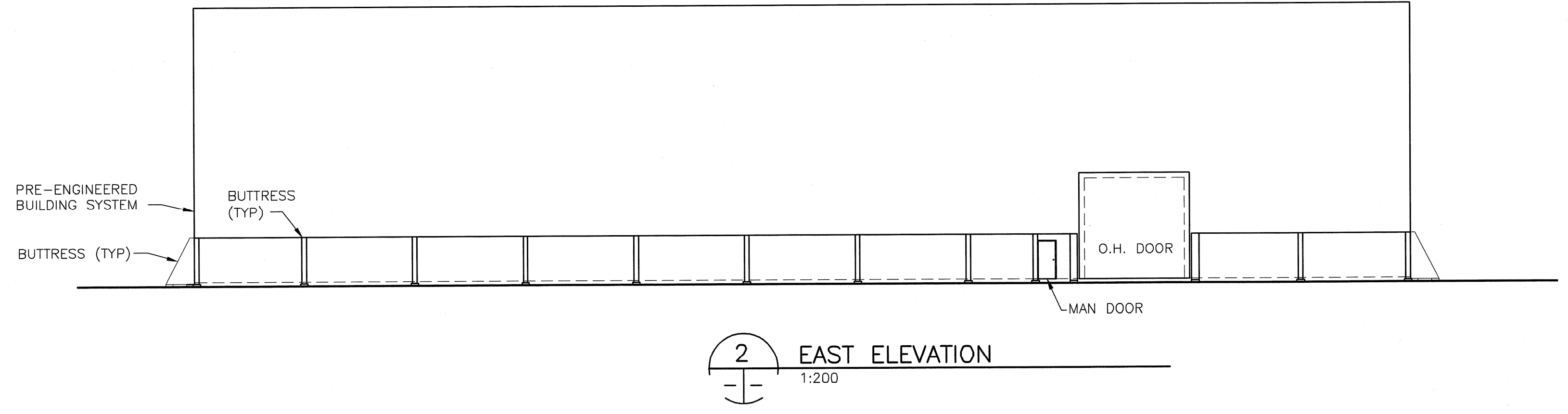


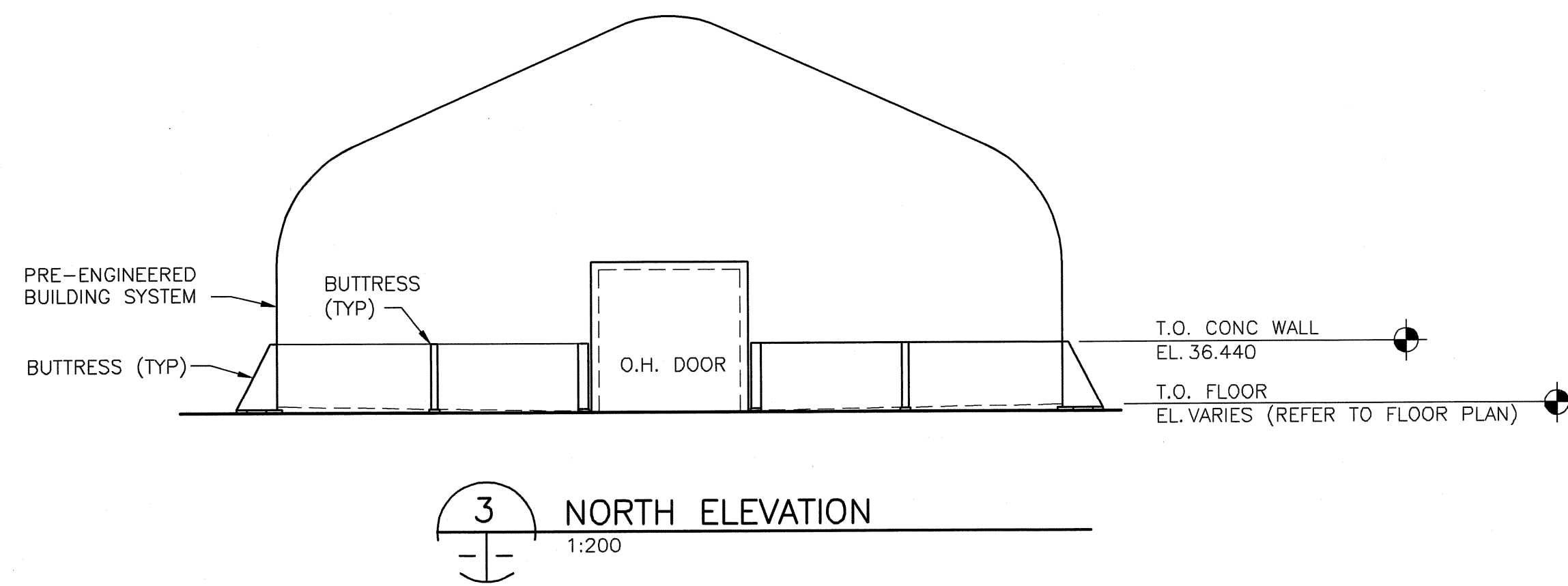
PLOT SCALE = 1:1
AutoCAD_16.is (LMS Tech) P:\0265\366-00\ALD\Sand Salt Facility_1539 Waverley.dwg\Structural\S-Bldg Elevations.dwg_2005-01-20 11:57am CGC



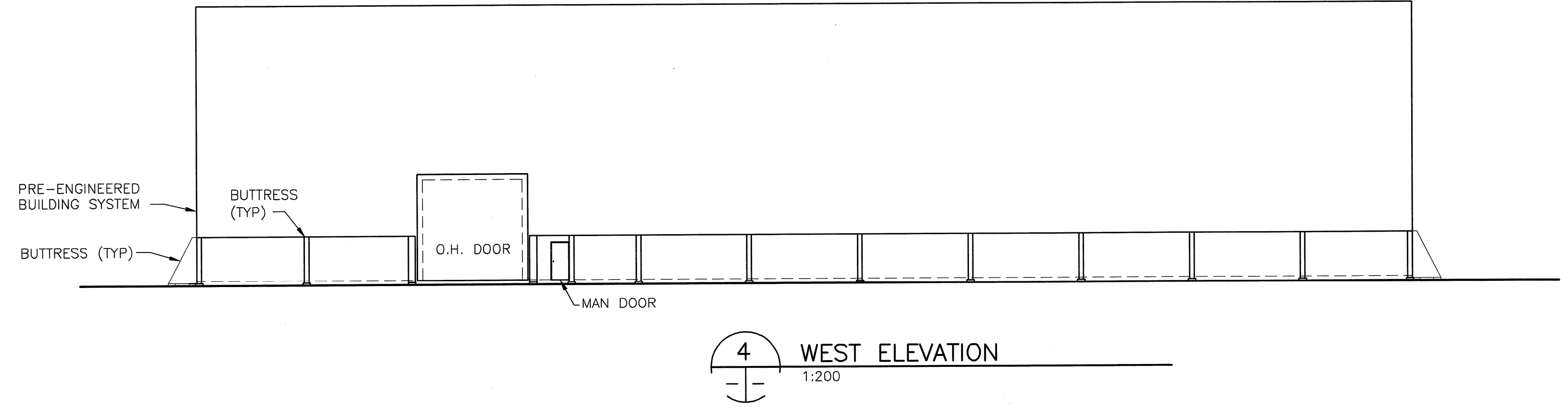
1 SOUTH ELEVATION
1:200



2 EAST ELEVATION
1:200

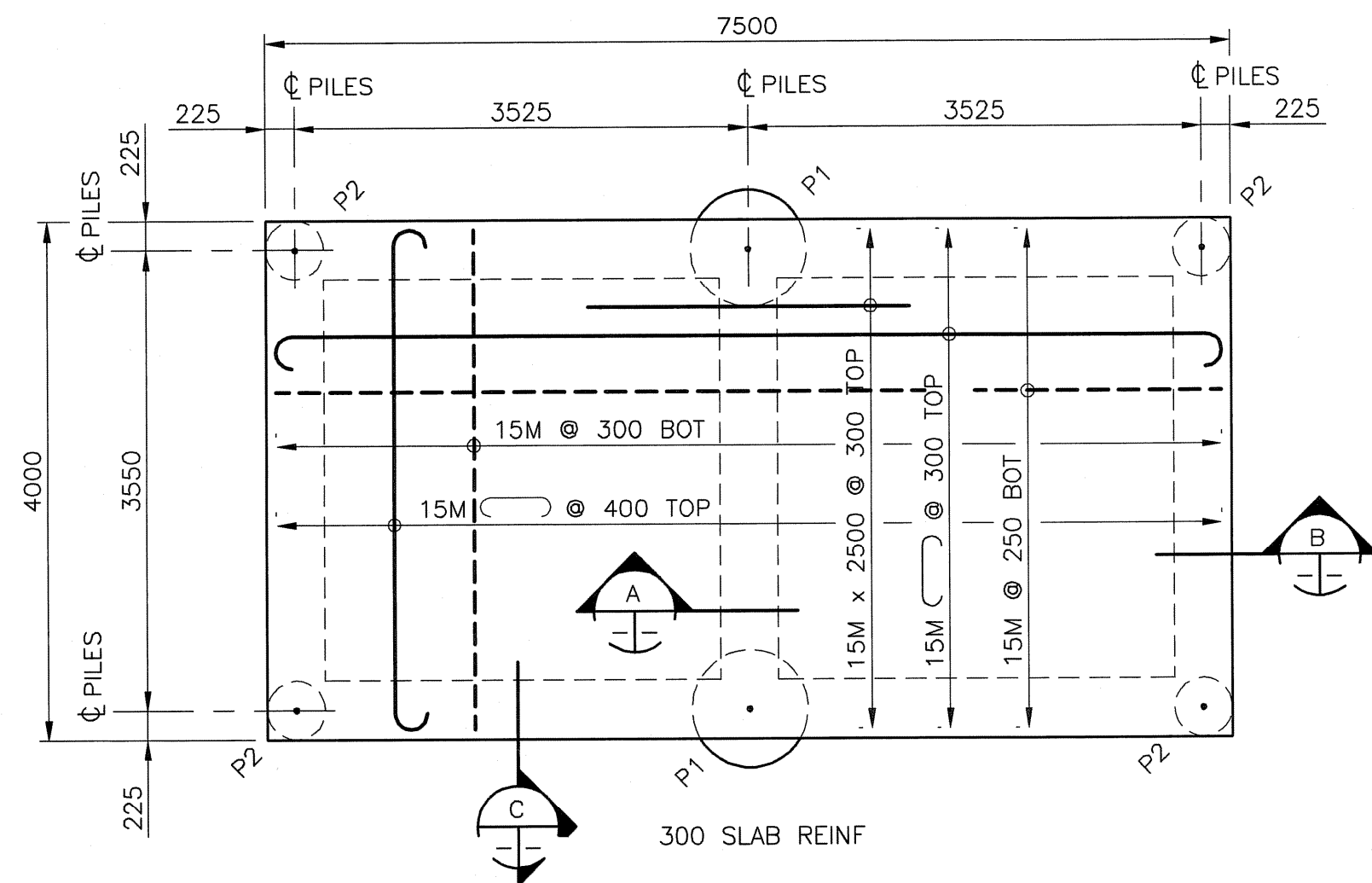


3 NORTH ELEVATION
1:200

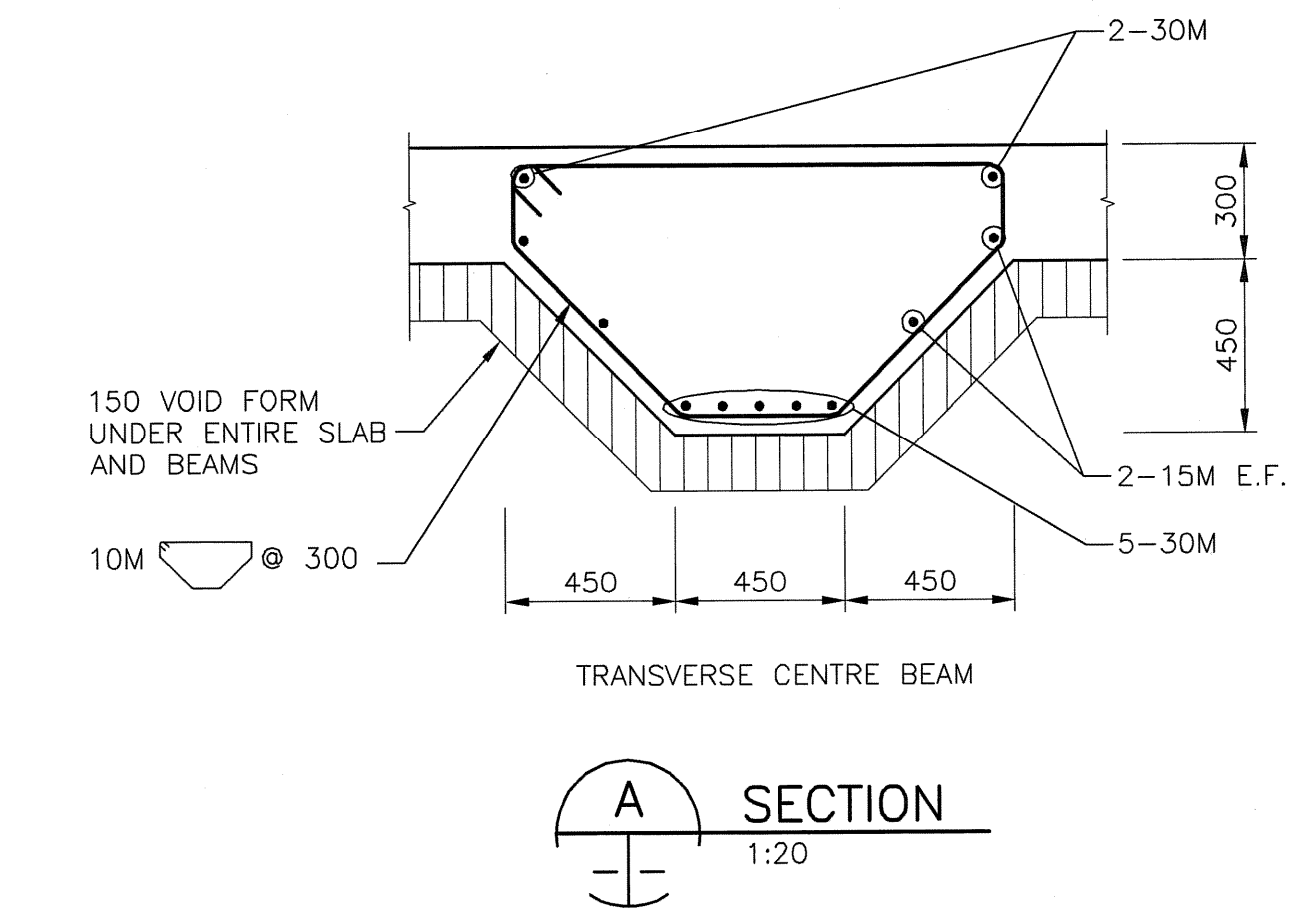


4 WEST ELEVATION
1:200

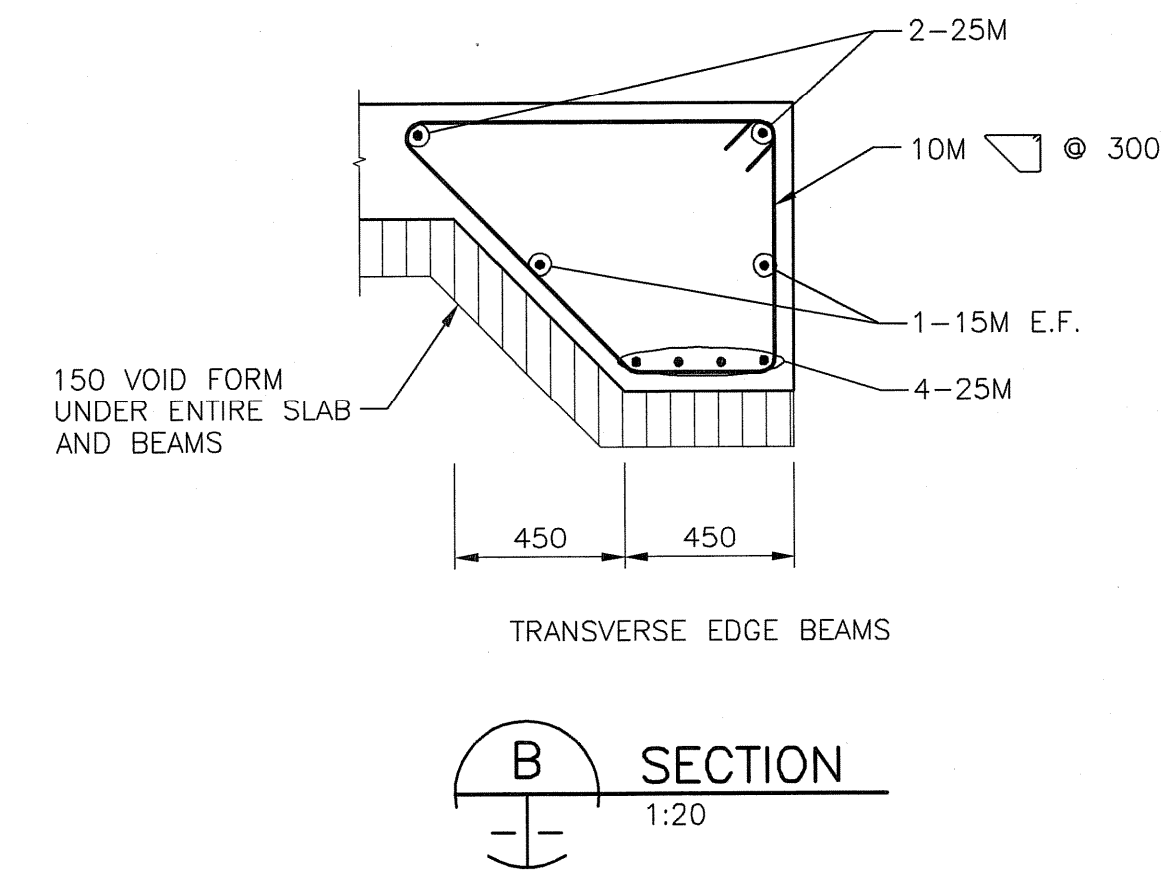
PILE LEGEND
P1 = 900ø x 13000 LONG, 8-25M VERT (FULL LENGTH, 4-20M x 1400 (700 INTO PILE) DOWELS TO GRADE BEAM, 10M @ 2 @ 150 TOP, REM @ 1000 O.C.
P2 = 450ø x 13000 LONG, 4-15M VERT (FULL LENGTH AND UP TO TOP OF GRADE BEAM, 10M @ 2 @ 150 TOP, REM @ 1000 O.C.



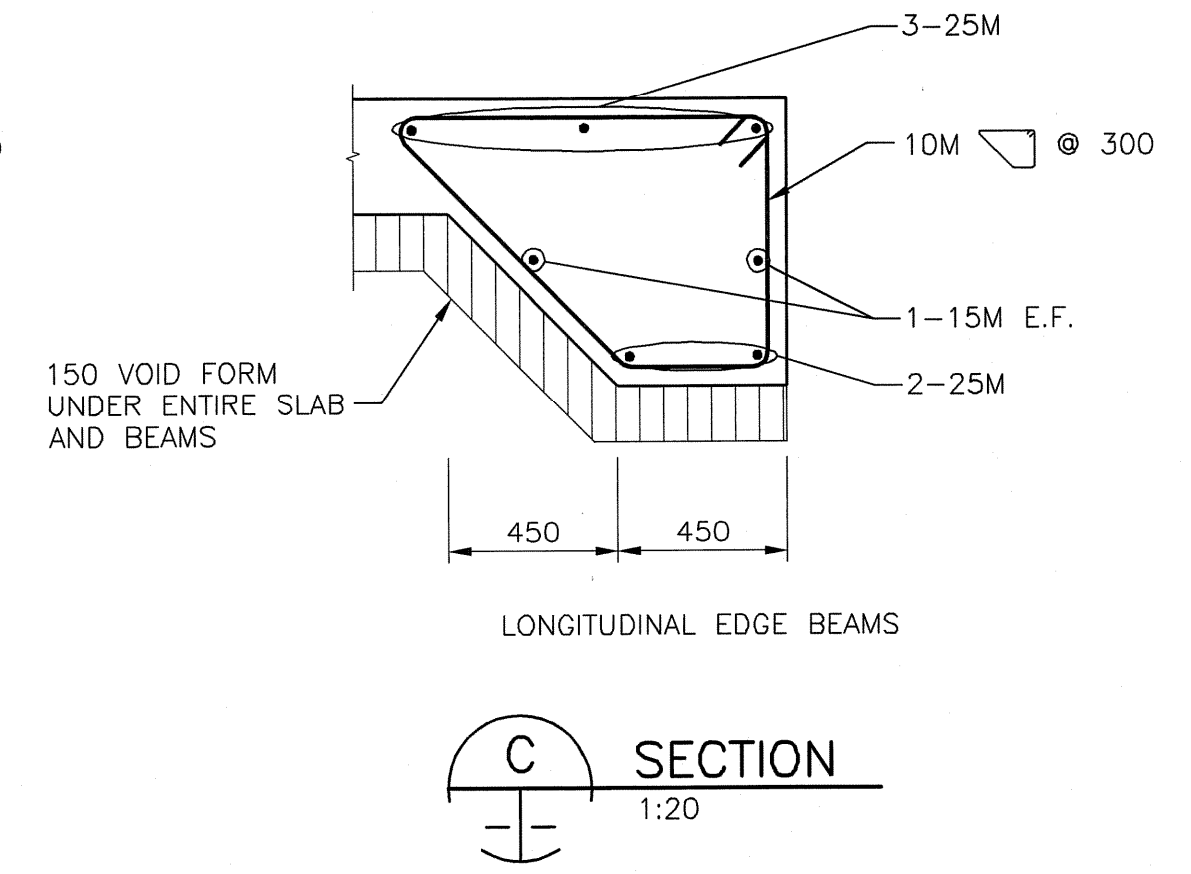
5 TANK PAD PLAN
1:50
FOR TWO 3050ø TANKS @ 3950 O.C.
SERVICE LOAD PER TANK ≤ 337 kN



A SECTION
1:20



B SECTION
1:20



C SECTION
1:20

BID OPPORTUNITY No 9-2005

METRIC
WHOLE NUMBERS INDICATE MILLIMETRES
DECIMALIZED NUMBERS INDICATE METRES

APECM
Certificate of Authorization
UMA Engineering Ltd.
No. 256 Expiry: April 30, 2005

NO.	REVISIONS	DATE	BY
2	RE-ISSUED FOR BID	05Feb01	DML
1	ISSUED FOR BID	04May05	CGC
0	ISSUED FOR REVIEW	04May04	CGC

LOCATION APPROVED UNDERGROUND STRUCTURES	B.M. ELEV.

UMA Engineering Ltd. • Consulting • Engineering • Construction • Management Services	
DESIGNED BY: SBB	CHECKED BY: <i>bl</i>
DRAWN BY: CGC	APPROVED BY: <i>Raymond Liben</i>
HOR. SCALE: AS NOTED	RELEASED FOR CONSTRUCTION
VERTICAL: N/A	DATE
Y/M/D: 04/03/22	DATE

ENGINEER'S SEAL
PROVINCE OF MANITOBA
S.B. BISWANGER
REGISTERED PROFESSIONAL ENGINEER
CONSULTANT DRAWING NO.
41-09-0265-366-00

THE CITY OF WINNIPEG
PUBLIC WORKS DEPARTMENT
ENGINEERING DIVISION

SAND/SALT STORAGE FACILITY
PUBLIC WORKS YARD
1539 WAVERLEY STREET

STRUCTURAL
BUILDING ELEVATIONS, PLAN & SECTIONS

CITY DRAWING NUMBER 02
SHEET 2 OF 11
02 2