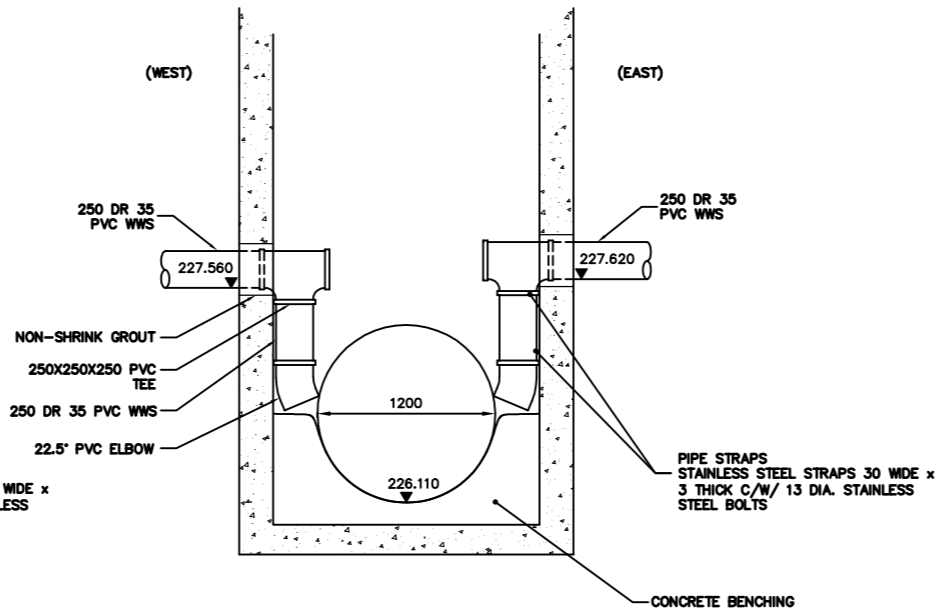
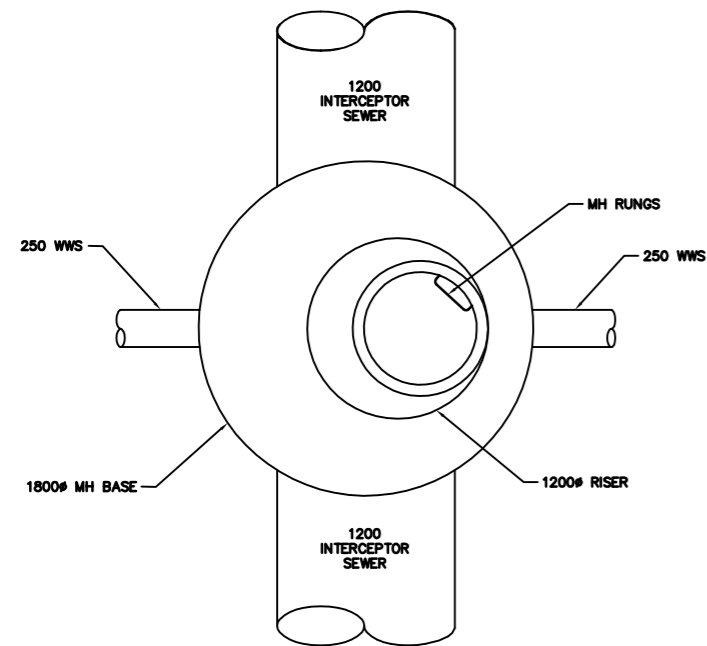


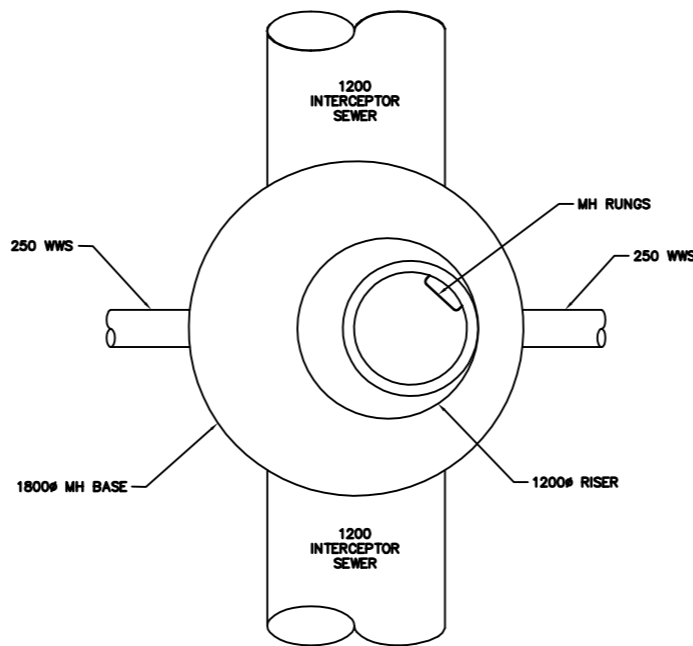
SIDE VIEW  
SCALE 1:25



SIDE VIEW  
SCALE 1:25



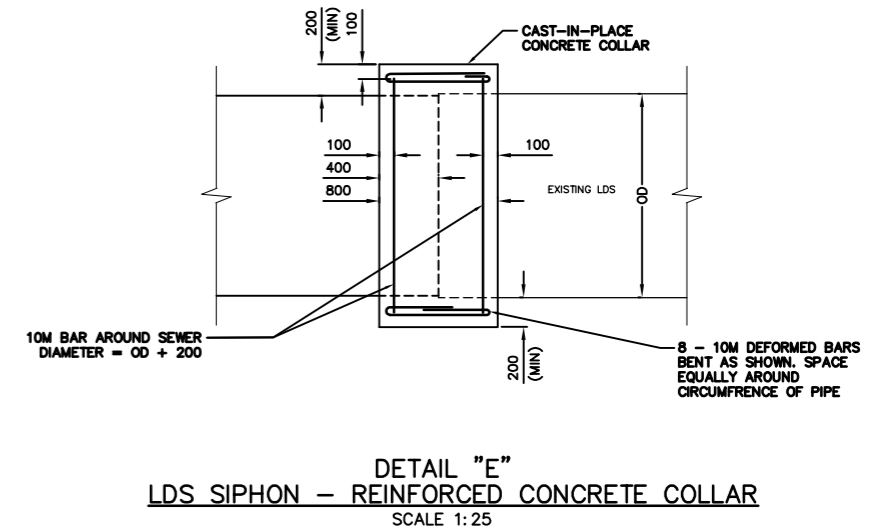
PLAN VIEW  
SCALE 1:25



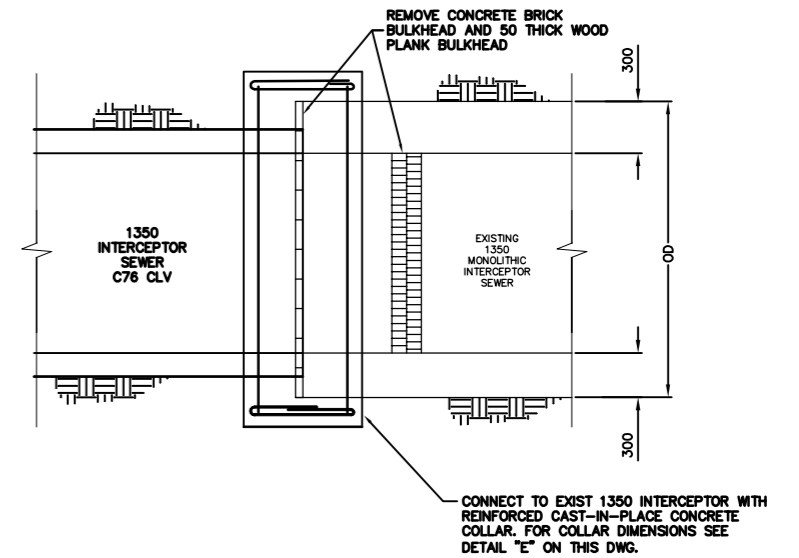
PLAN VIEW  
SCALE 1:25

DETAIL "G"  
INTERIOR DROP MANHOLE DETAIL  
AT GEORGE LAWRENCE BAY (S. LEG)  
SCALE 1:40

DETAIL "H"  
INTERIOR DROP MANHOLE DETAIL  
AT GEORGE LAWRENCE BAY (N. LEG)  
SCALE 1:40



DETAIL "E"  
LDS SIPHON - REINFORCED CONCRETE COLLAR  
SCALE 1:25



DETAIL "F"  
1350 INTERCEPTOR SEWER CONNECTION DETAIL  
SCALE 1:25

METRIC  
WHOLE NUMBERS INDICATE MILLIMETRES  
DECIMALIZED NUMBERS INDICATE METRES

**WARNING**  
IF POWER EQUIPMENT OR EXPLOSIVES ARE TO BE USED FOR EXCAVATION ON THIS PROJECT THE CONTRACTOR  
1) NOTIFY THE GAS COMPANY OF THE PROPOSED LOCATION OF EXCAVATION.  
2) TAKE PRECAUTION TO AVOID DAMAGE TO GAS COMPANY INSTALLATIONS.  
SEE PROVINCIAL REGULATION 210/72 FOR DETAILS

|          |                     |          |                   |             |                       |          |   |                |                |   |                           |  |  |  |
|----------|---------------------|----------|-------------------|-------------|-----------------------|----------|---|----------------|----------------|---|---------------------------|--|--|--|
| 200 WM   | WATERMAIN           | 200 WM   | SL, HYDRO         | 150 WM      | WATERMAIN             | 150 WM   | LOCATION APPROVED   | B.M. ELEV.     | FIELD BOOK #:  | CITY OF WINNIPEG<br>WATER AND WASTE<br>ENGINEERING DIVISION | ENGINEER'S SEAL           | THE CITY OF WINNIPEG<br>WATER AND WASTE DEPARTMENT | NORTHEAST INTERCEPTOR<br>STAGE VII<br>SEWER CONNECTIONS AND<br>MANHOLE DETAILS | SHEET 17 of 18<br>CITY DRAWING NUMBER<br>05561 |
| 525 LDS  | LAND DRAINAGE SEWER | 525 LDS  | TRAFFIC SIGNALS   | 300 LDS     | LAND DRAINAGE SEWER   | 300 LDS  | UNDERGROUND STRUCTURES  | POSTED TO LBIS | DESIGNED BY SC |   |                           |  |  |  |
| 375 WWS  | WASTEWATER SEWER    | 375 WWS  | SURVEY BAR        | 250 WWS     | WASTEWATER SEWER      | 250 WWS  | SUPV. U/G STRUCTURES COMMITTEE  | DATE           | DRAWN BY CJH   | APPROVED BY KZ  | RELEASED FOR CONSTRUCTION | PLOT DATE: 2005 03 31                              | FILENAME: 05533_to_05548_05561_D-8680.dwg                                      |  |
| ○        | MANHOLE             | ●        | FENCE             | ×           | PROFILE               | ⊕        | NOTE:   | NO. REVISIONS  | DATE           | DATE  | DATE                      |  |  |  |
| □        | CATCH BASIN         | ■        | POLE - HYDRO, MTS | ⋯           | GROUND ABOVE PIPE     | ⊖        | LOCATION OF UNDERGROUND STRUCTURES AS SHOWN ARE BASED ON THE BEST INFORMATION AVAILABLE BUT NO GUARANTEE IS GIVEN THAT ALL EXISTING UTILITIES ARE SHOWN OR THAT THE GIVEN LOCATIONS ARE EXACT. CONFIRMATION OF EXISTENCE AND EXACT LOCATION OF ALL SERVICES MUST BE OBTAINED FROM THE INDIVIDUAL UTILITIES BEFORE PROCEEDING WITH CONSTRUCTION. | DATE           | DATE           | DATE  | DATE                      |  |  |  |
| ▽        | CURB INLET          | ◊        | CURB STOP         | ⊕           | DITCH (NORTH & WEST)  | ⊖        |   |                |                |   |                           |  |  |  |
| ∇        | REDUCER             | ◊        | GUY ANCHOR        | ⊕           | DITCH (SOUTH & EAST)  | ⊖        |   |                |                |   |                           |  |  |  |
| ∩        | COUPLER             | ∩        | LIGHT STANDARD    | ⊕           | GUTTER (NORTH & WEST) | ⊖        |   |                |                |   |                           |  |  |  |
| ⊕        | ANODE               | ⊕        | TREE              | ⊕           | GUTTER (SOUTH & EAST) | ⊖        |   |                |                |   |                           |  |  |  |
| EXISTING | LEGEND-PLAN         | PROPOSED | EXISTING          | LEGEND-PLAN | PROPOSED              | EXISTING | LEGEND-PROFILE  | PROPOSED       |                |   |                           |  |  |  |