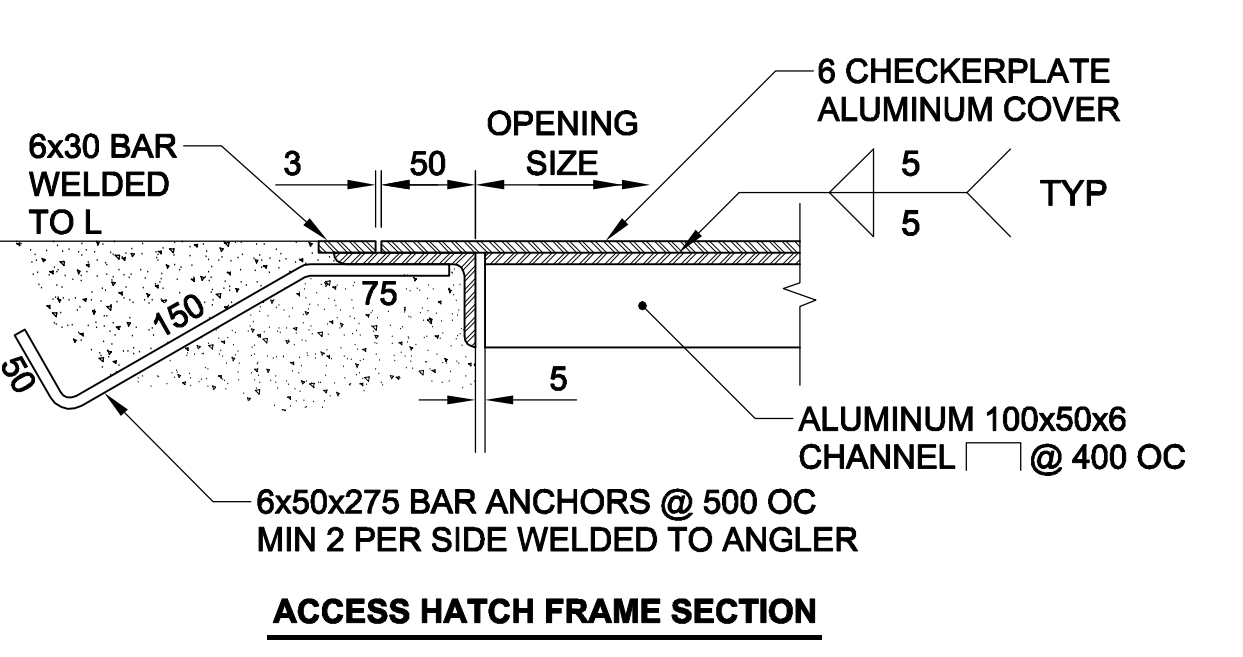
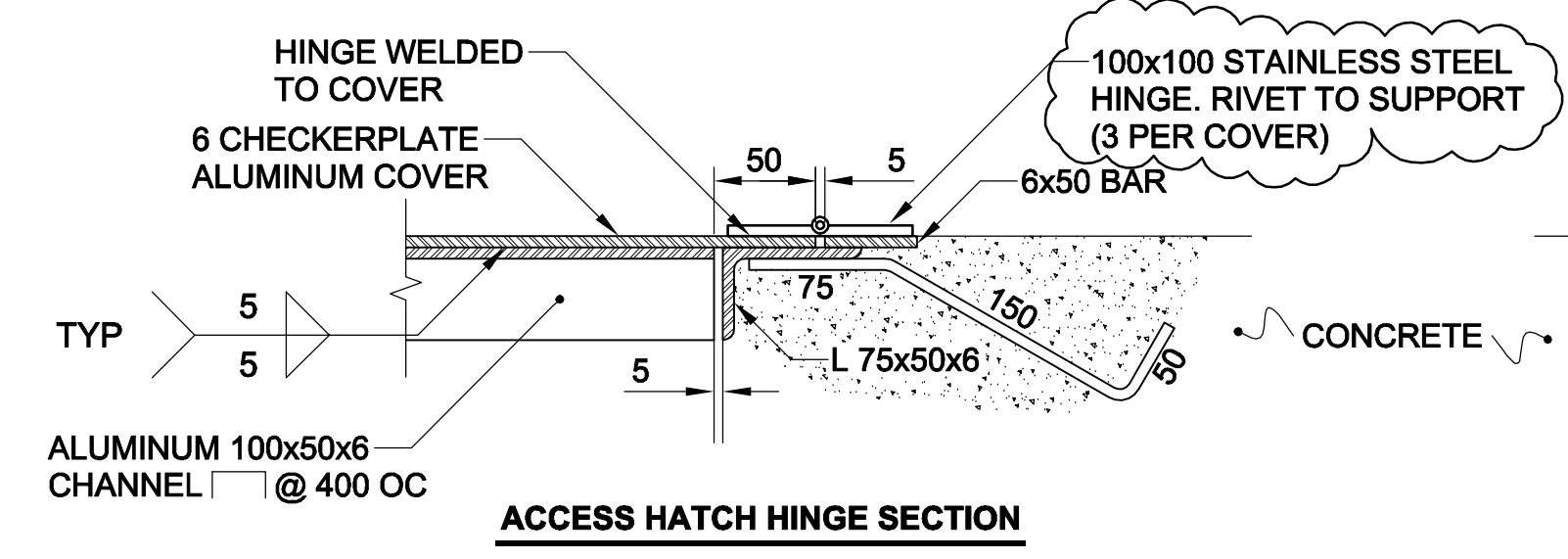
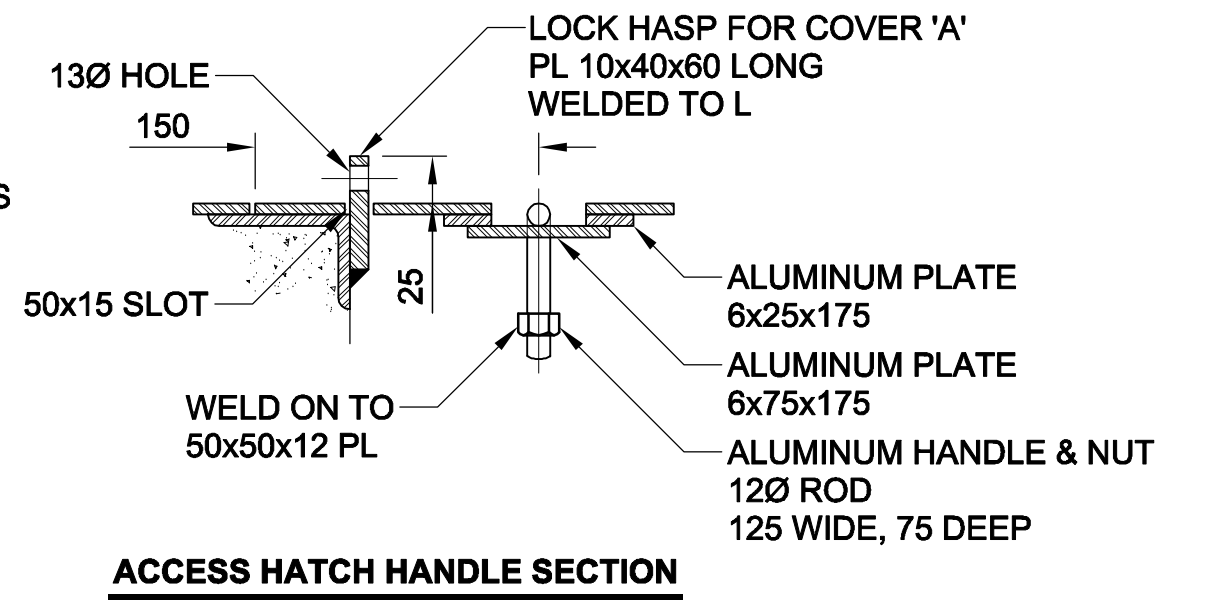
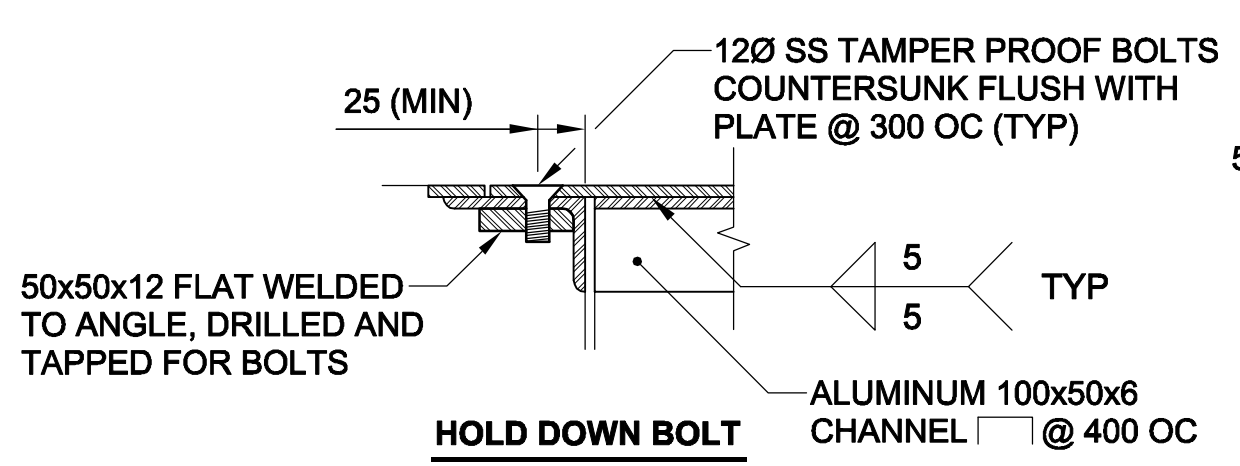
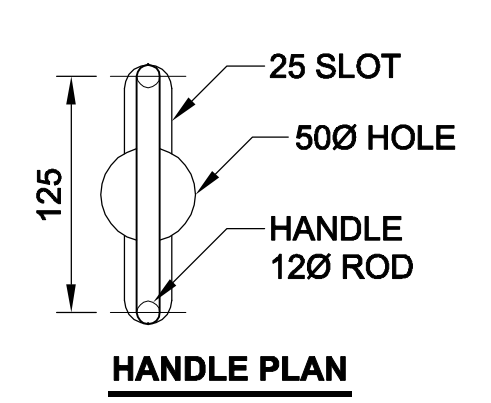
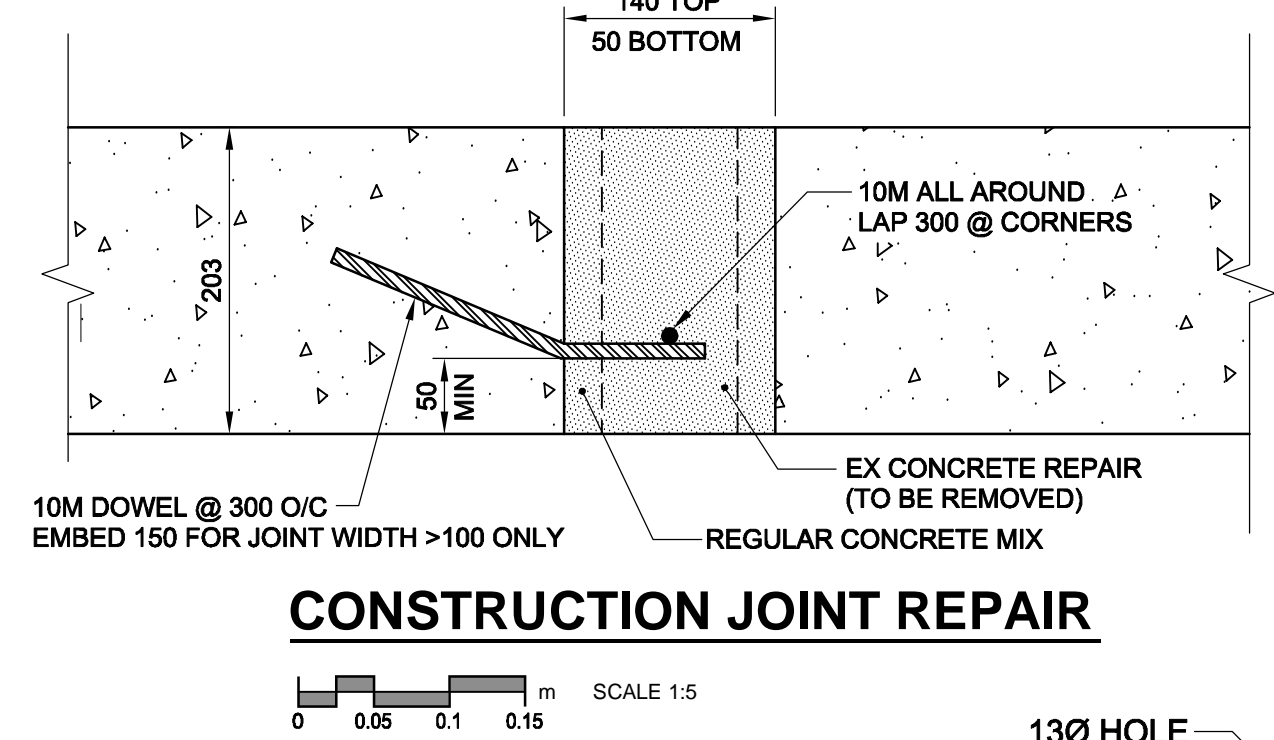
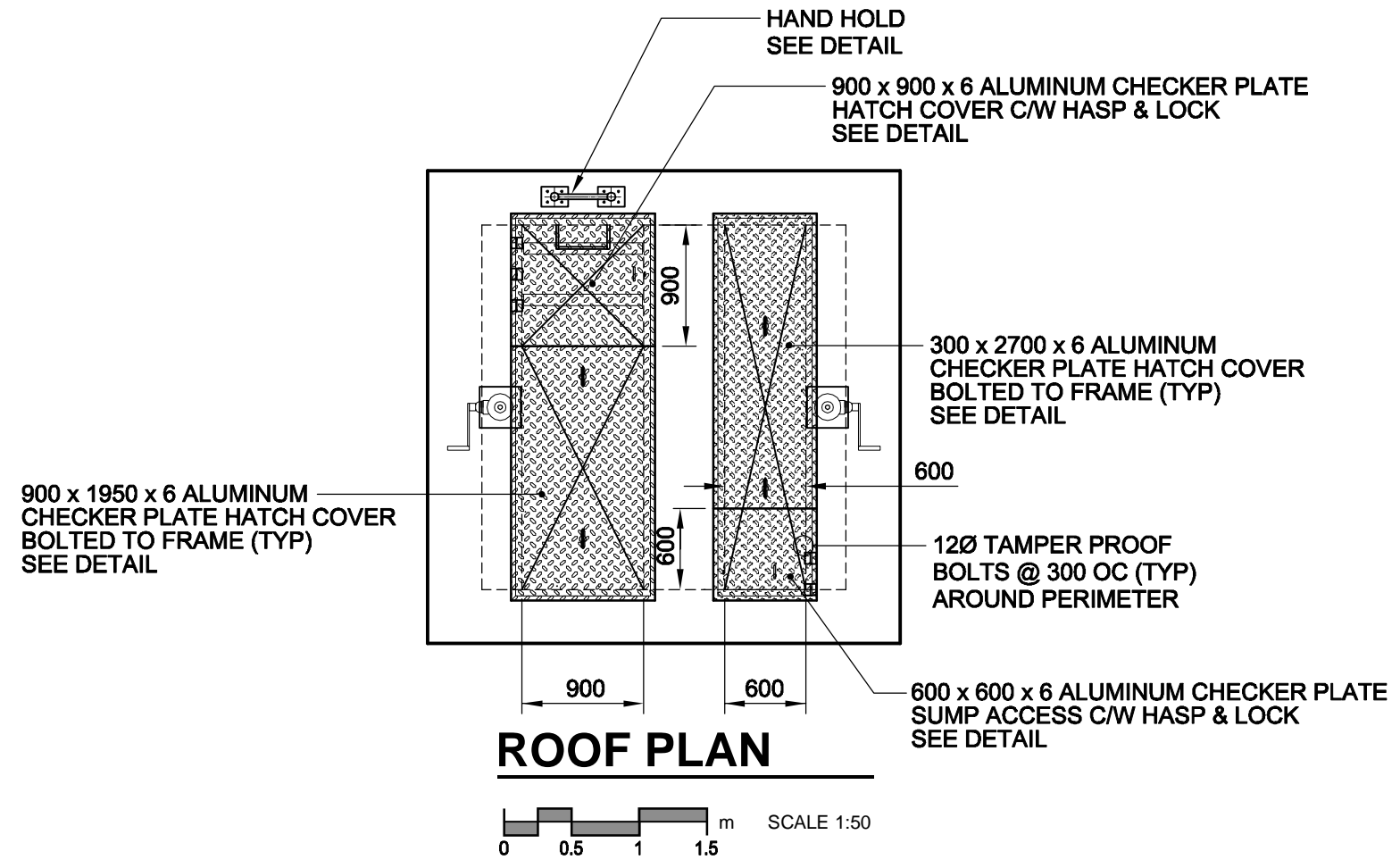
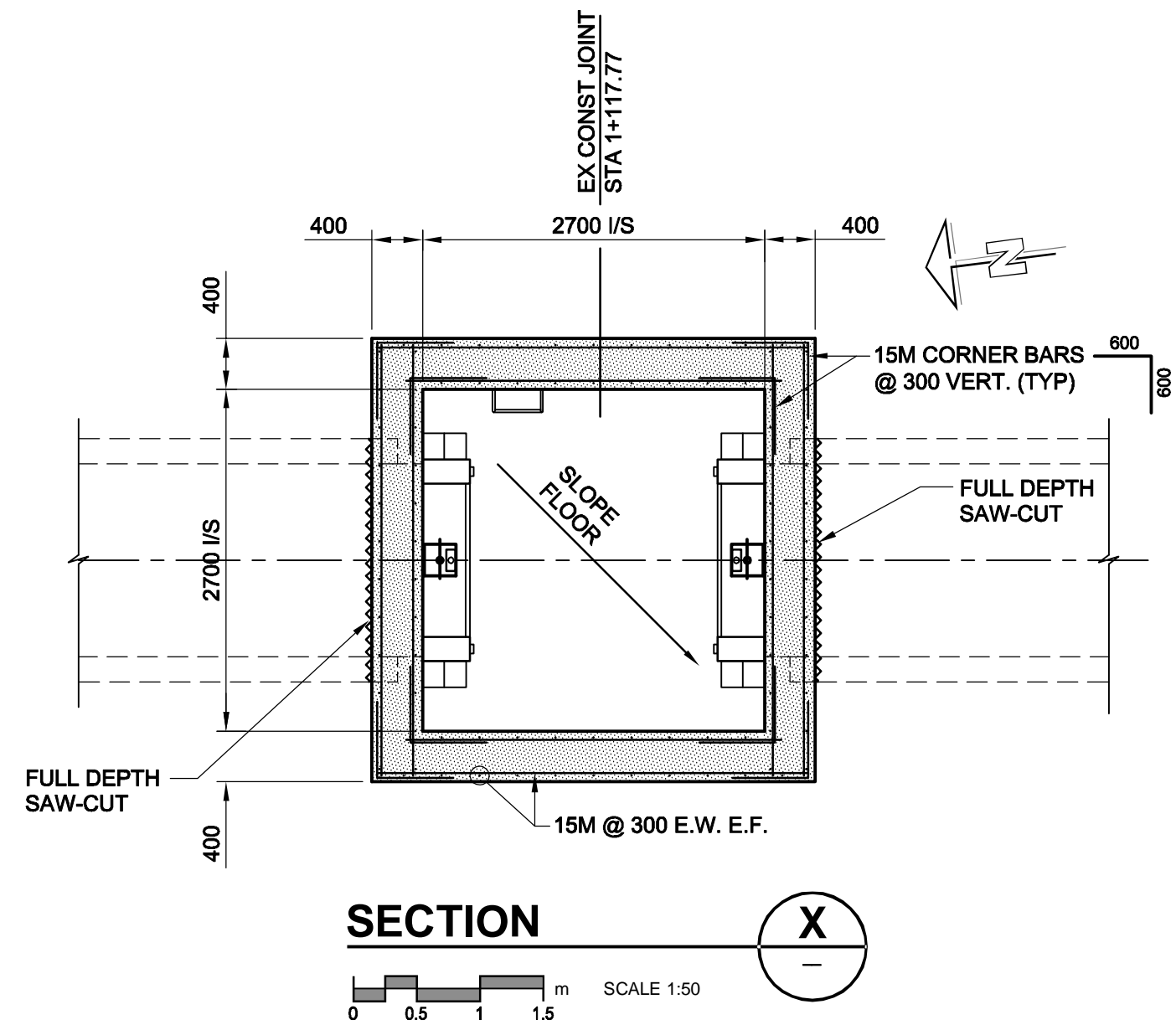
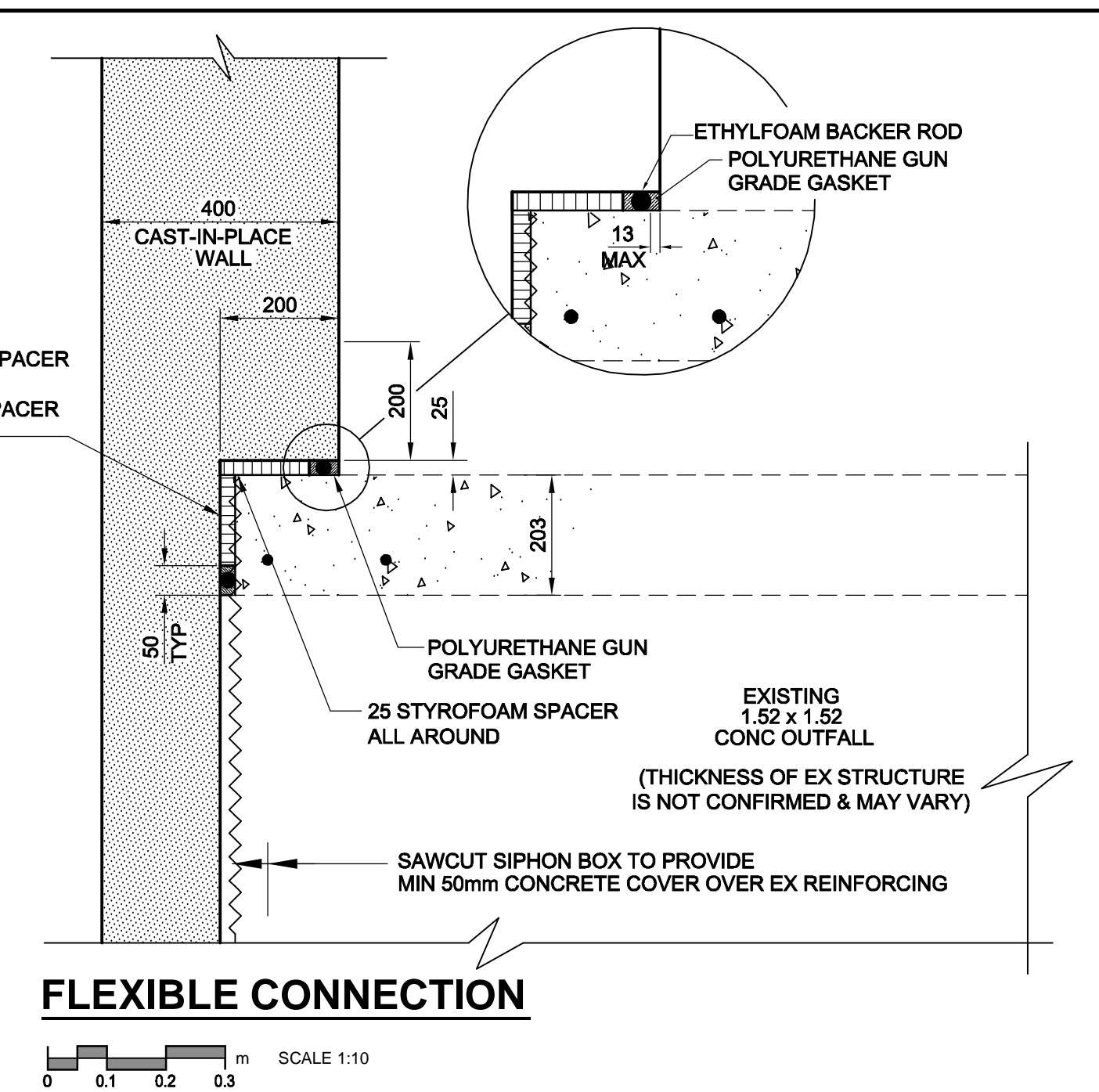
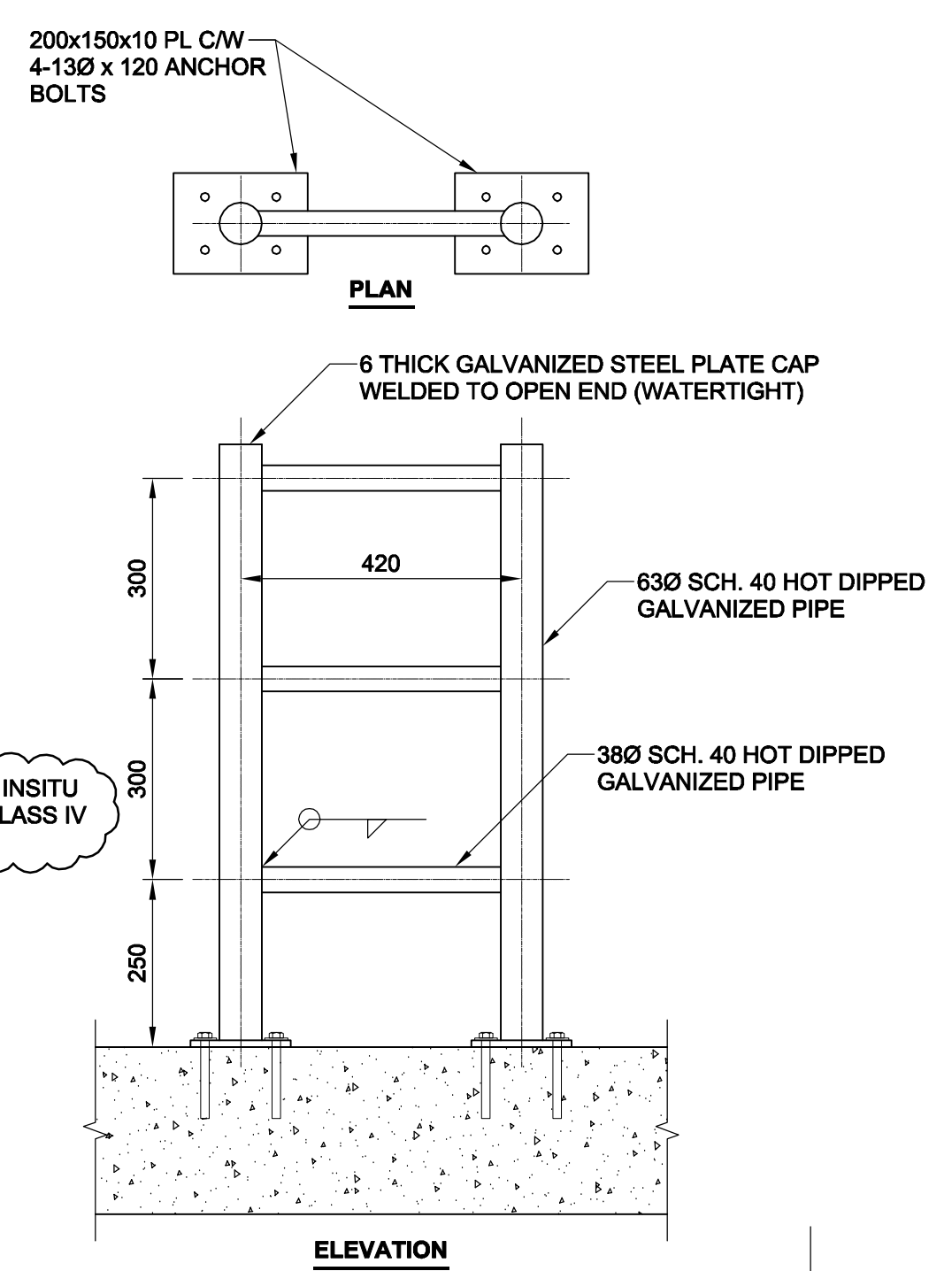
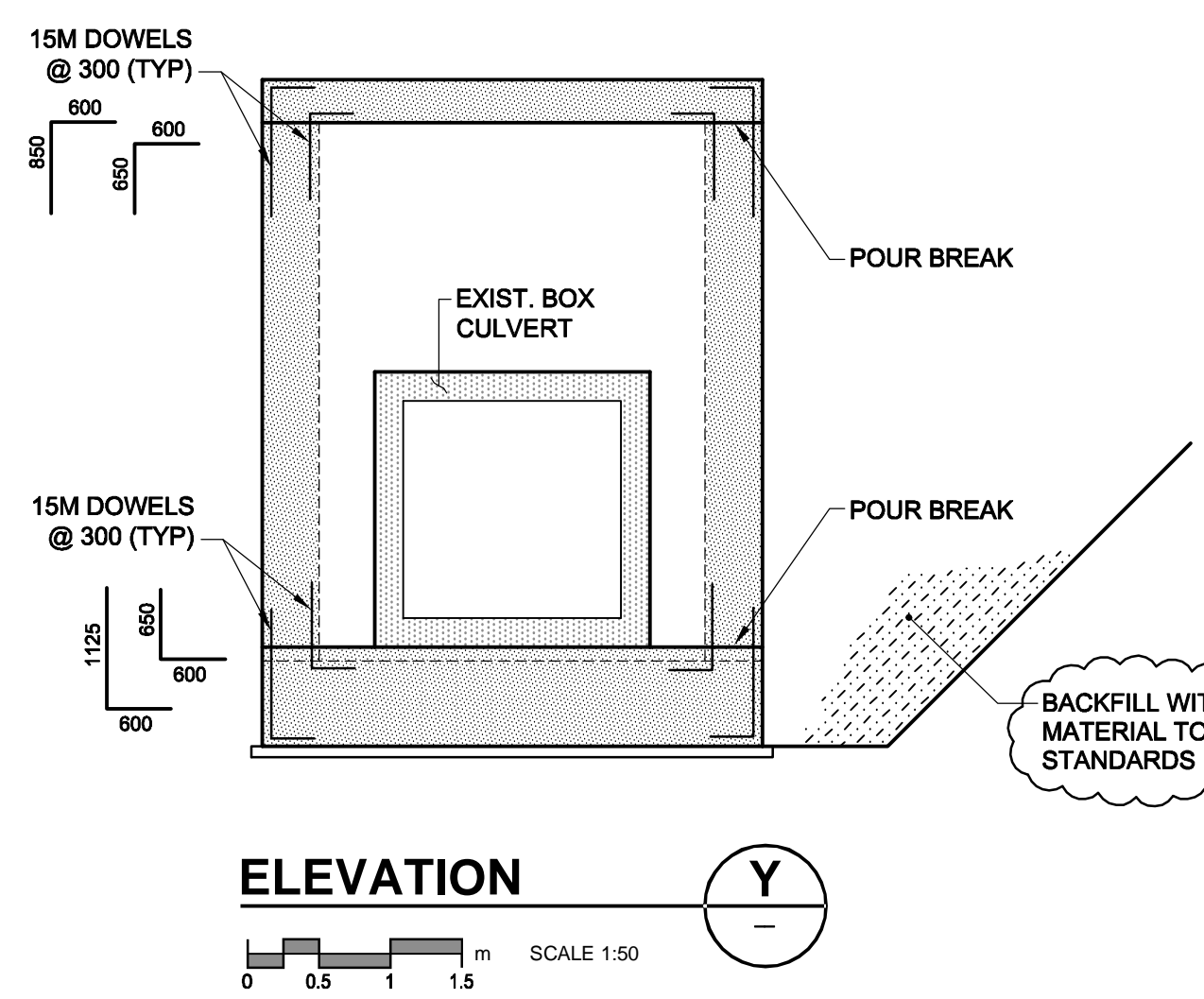
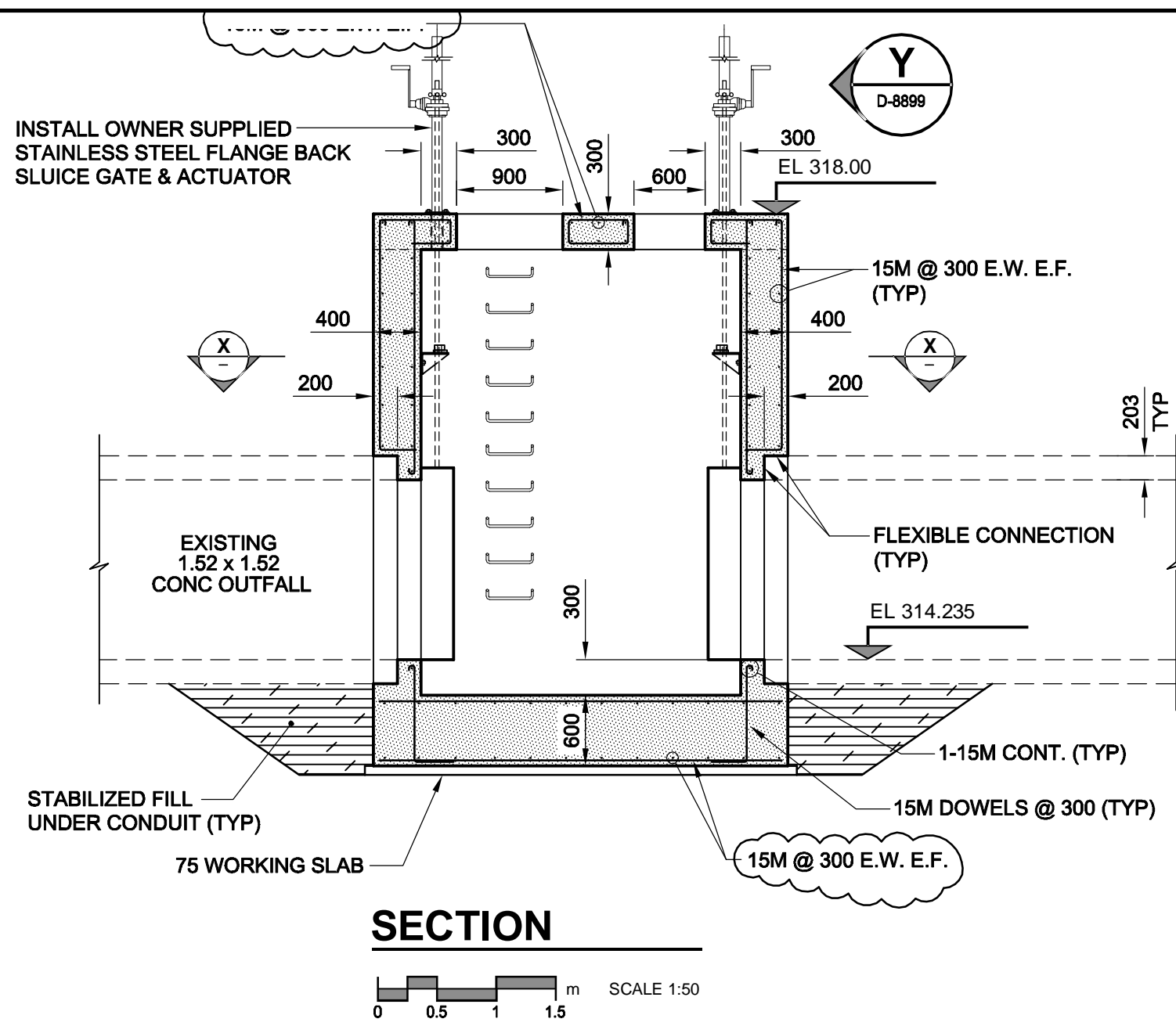


D SIZE 22" x 34" (559mm x 864mm)
 PLOT: 06/03/23 2:13:56 PM
 UMA FILE NAME: D265-200-00_01-C-1002_RX.dwg Saved By: WJBRIDG



DETAILS
SCALE: N.T.S.
ACCESS HATCH METAL FABRICATION

LOCATION APPROVED UNDERGROUND STRUCTURES

SUPR. U/G STRUCTURES	DATE	COMMITTEE

NOTE:
LOCATION OF UNDERGROUND STRUCTURES AS SHOWN ARE BASED ON THE BEST INFORMATION AVAILABLE. BUT NO GUARANTEE IS GIVEN THAT ALL EXISTING UTILITIES ARE SHOWN OR THAT THE GIVEN LOCATIONS ARE EXACT. CONFIRMATION OF EXISTENCE AND EXACT LOCATION OF ALL SERVICES MUST BE OBTAINED FROM THE INDIVIDUAL UTILITIES BEFORE PROCEEDING WITH CONSTRUCTION.

NO.	REVISIONS	DATE	BY
D	REVISED AS PER ADDENDUM No. 1	06/03/23	WJd
C	REVISED - ADDED SLUICE GATE	06/03/09	DML
B	ISSUED FOR CONSTRUCTION	06/02/24	WJd
A	ISSUED FOR REVIEW	06/02/13	WJd

DESIGNED BY	ESM / MGM	CHECKED BY	CCM
DRAWN BY	WJd	APPROVED BY	Bryan Weber
HOR. SCALE	AS NOTED	RELEASED FOR CONSTRUCTION	Geoff Patton
VERT. SCALE	AS NOTED	DATE	

PROFESSIONAL'S SEAL
 ORIGINAL SEALED BY:
 C. C. MACEY
 13 March 2006
 CONSULTANT DRAWING NO. 02
 D265-200-00

THE CITY OF WINNIPEG WATER AND WASTE DEPARTMENT

SHOAL LAKE AQUEDUCT ASSET PRESERVATION PROGRAM
 CONSTRUCTION OF MILE 83 SLUICE GATE CHAMBER
 GENERAL LAYOUT AND MISCELLANEOUS DETAILS

SHEET 2 OF 2
 CITY DRAWING NUMBER
D-8899

BID OPPORTUNITY NO. 138-2006