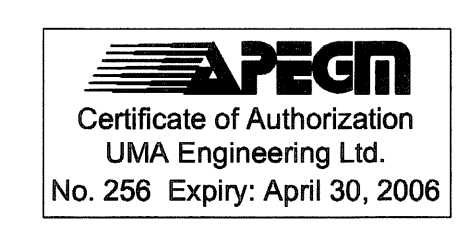
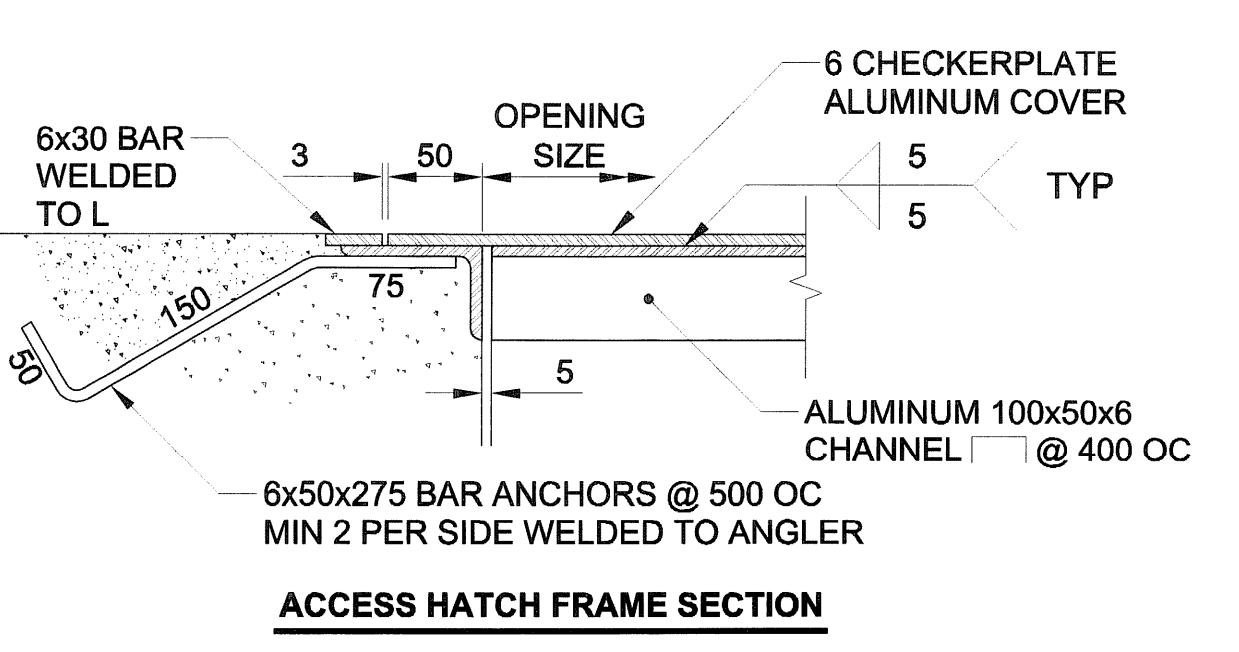
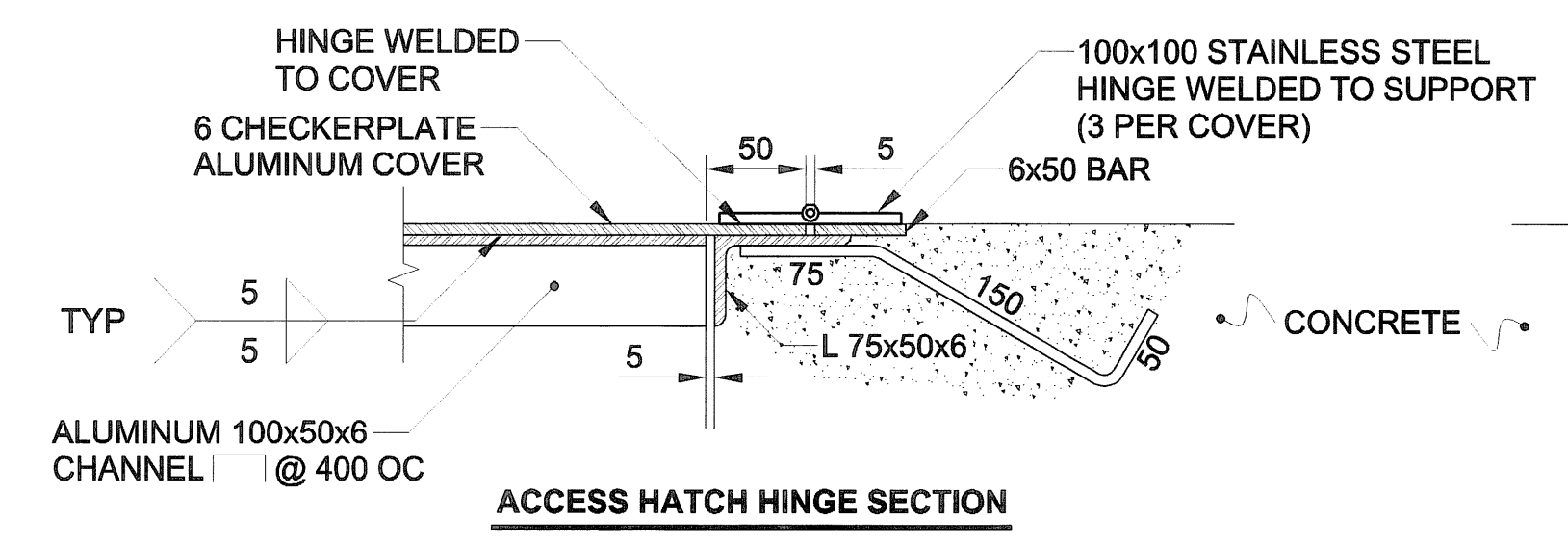
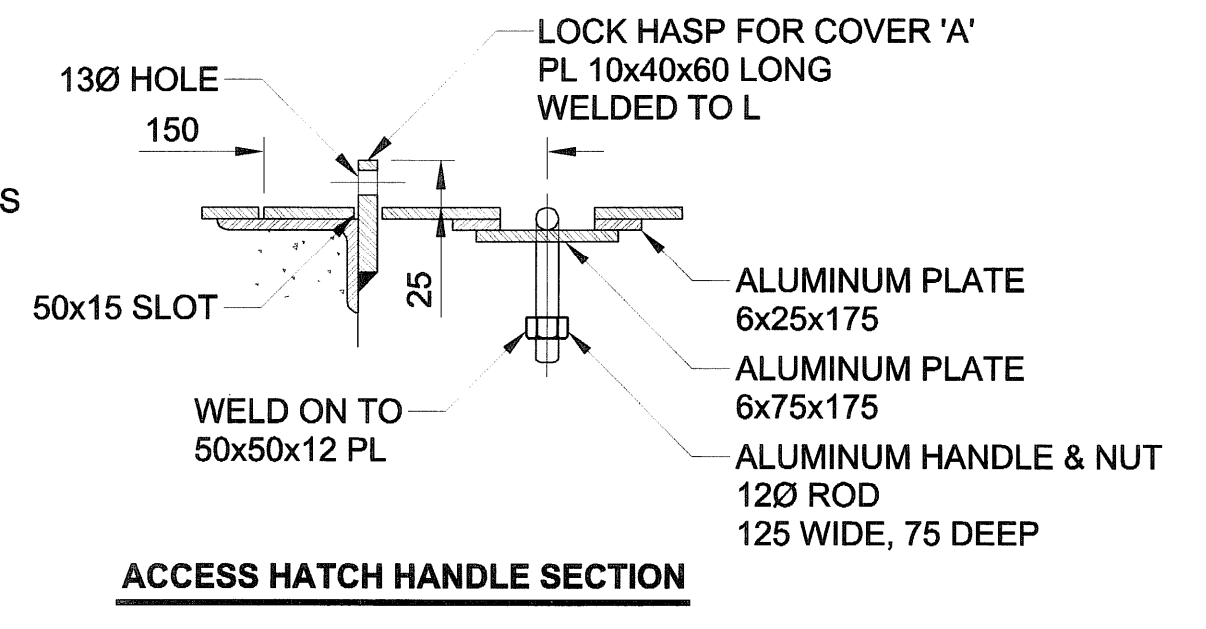
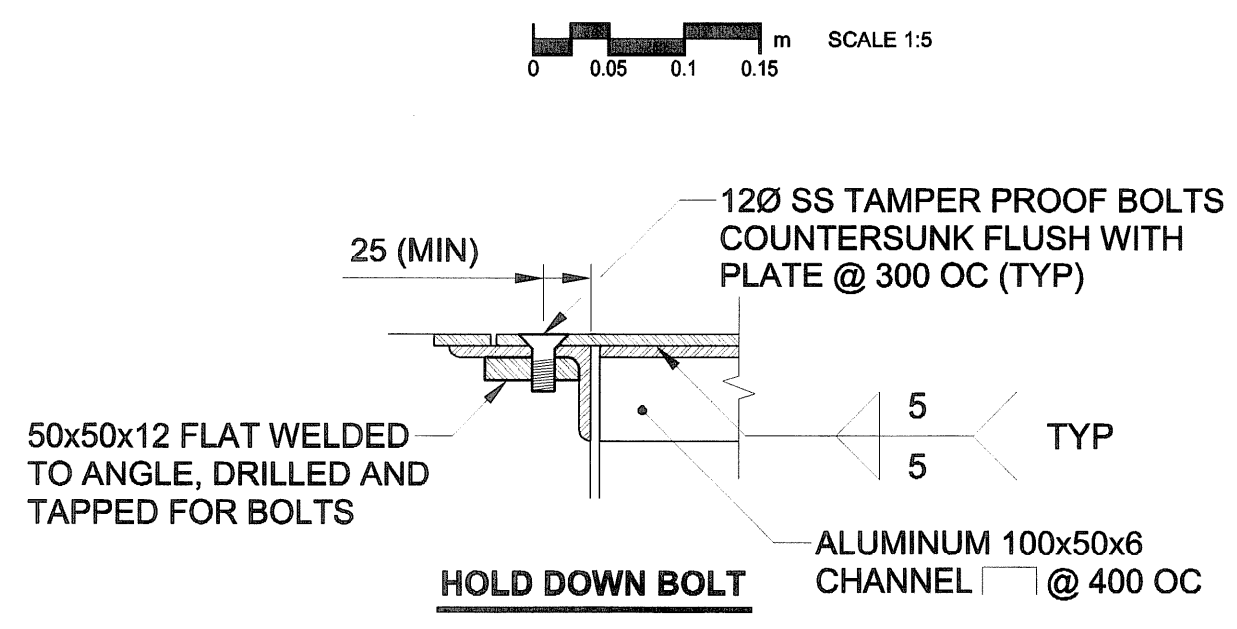
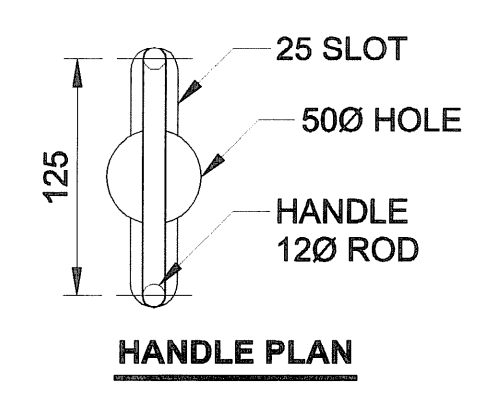
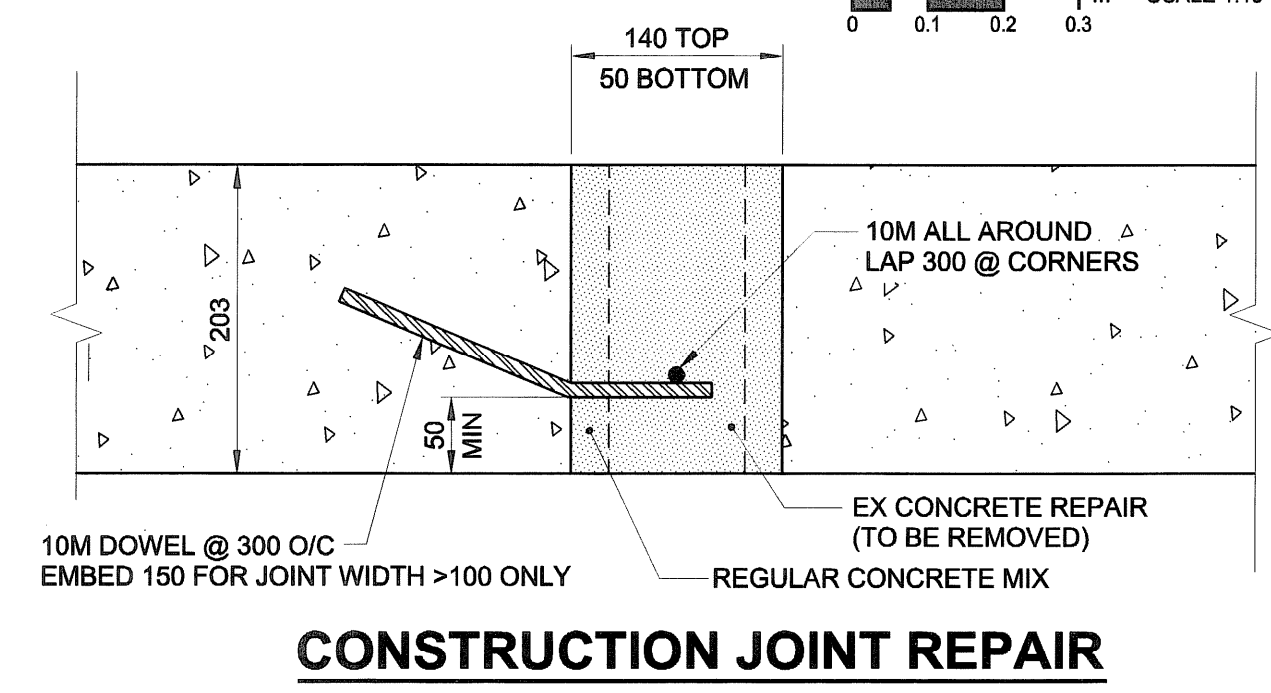
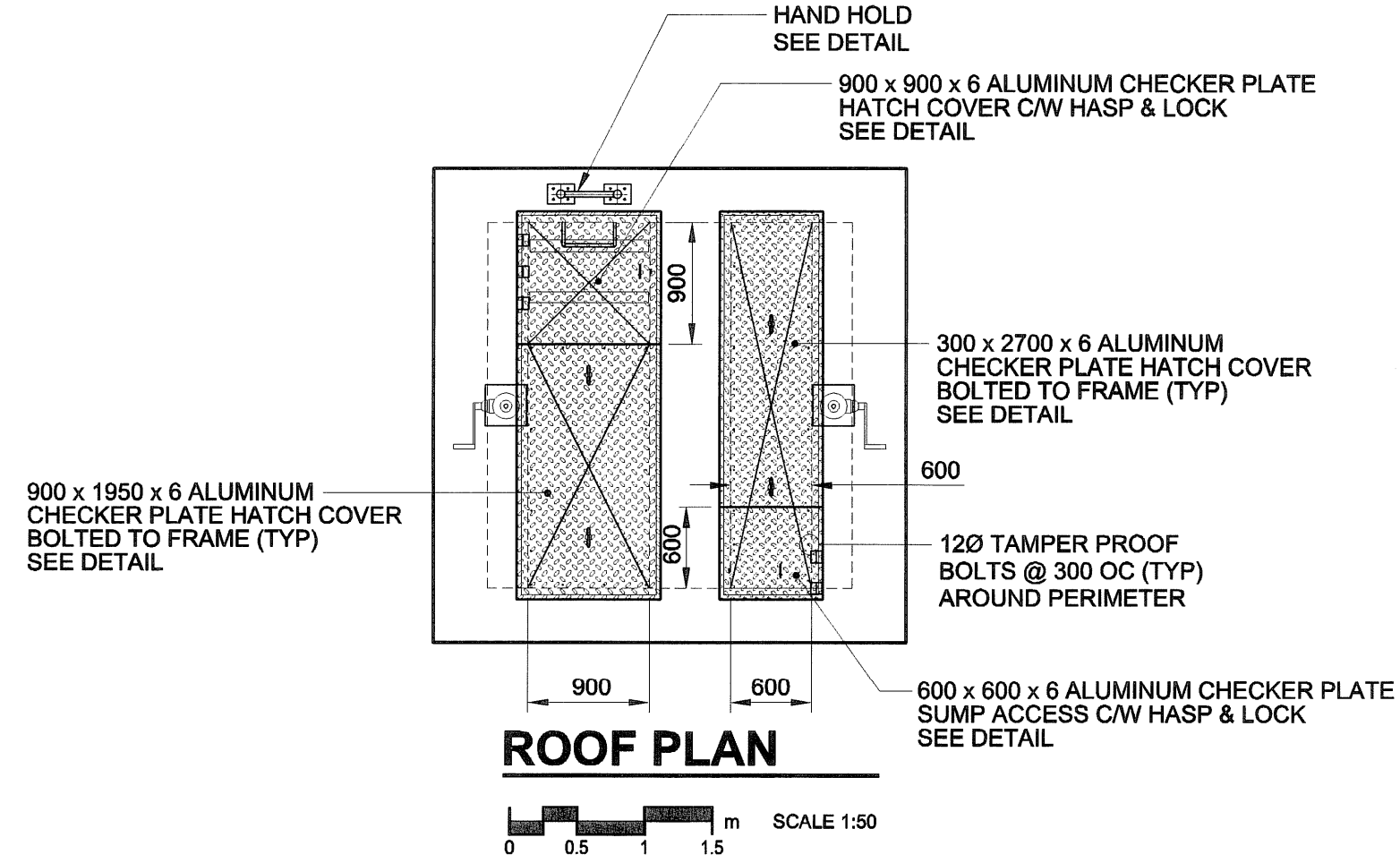
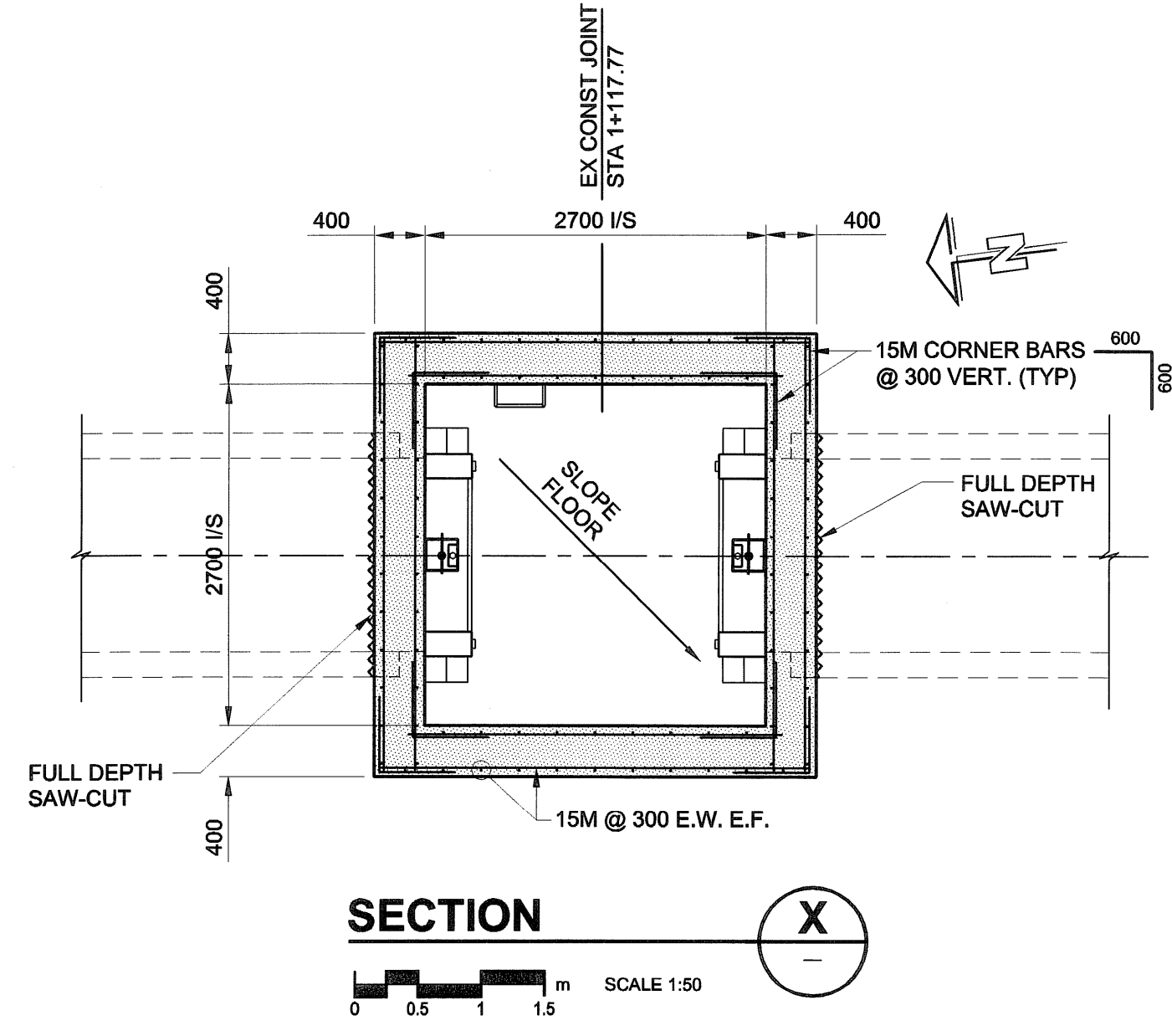
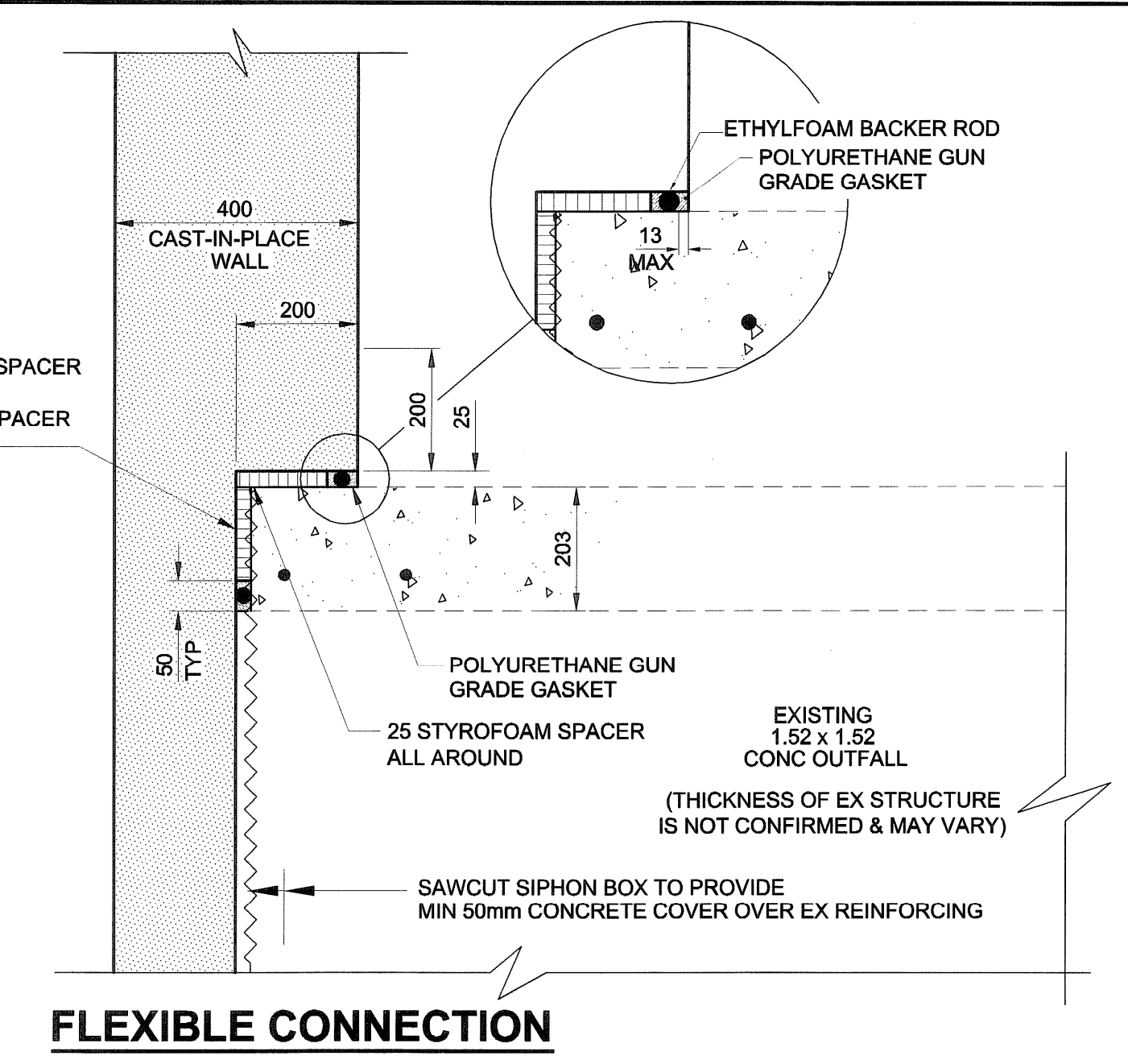
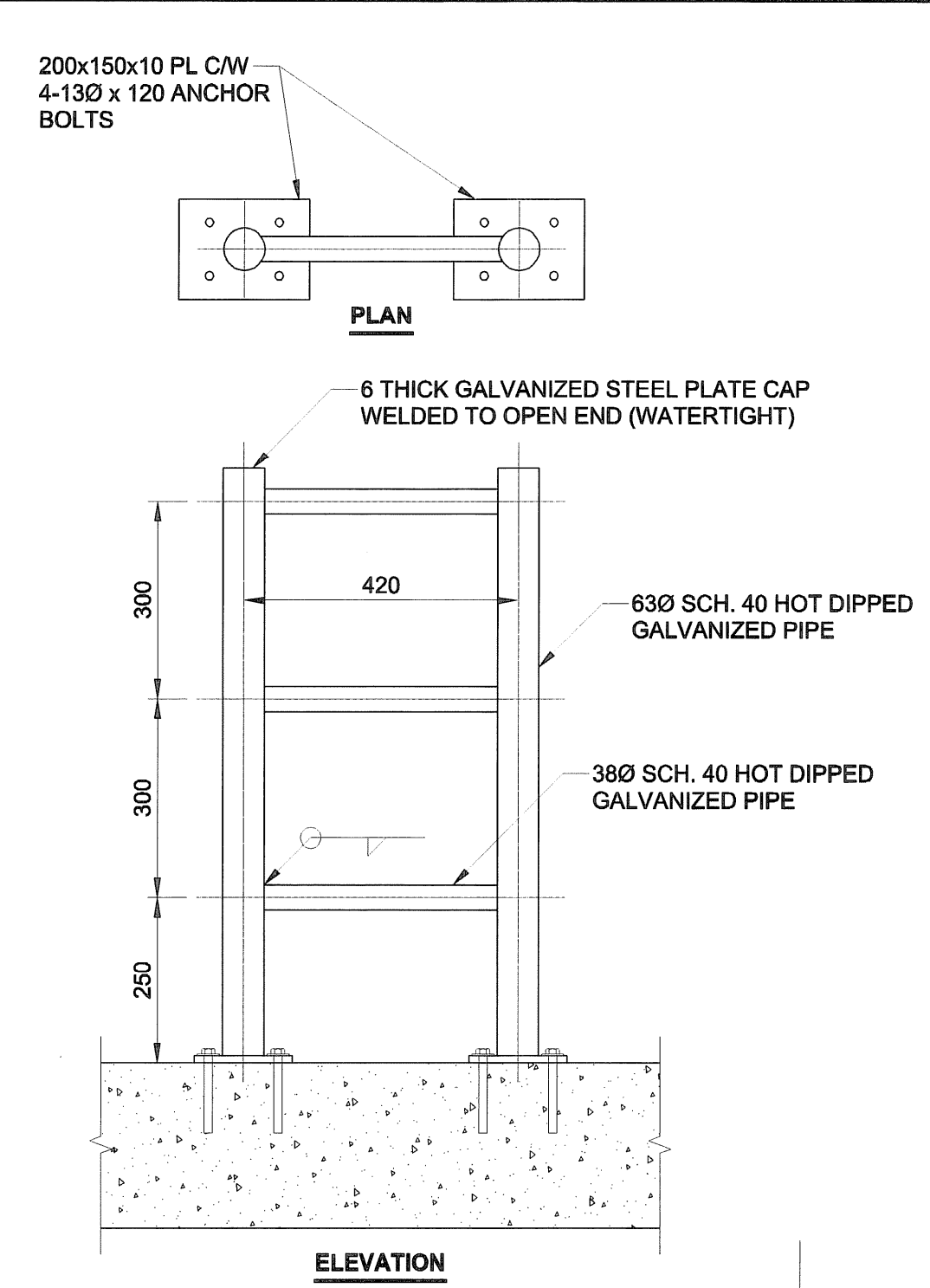
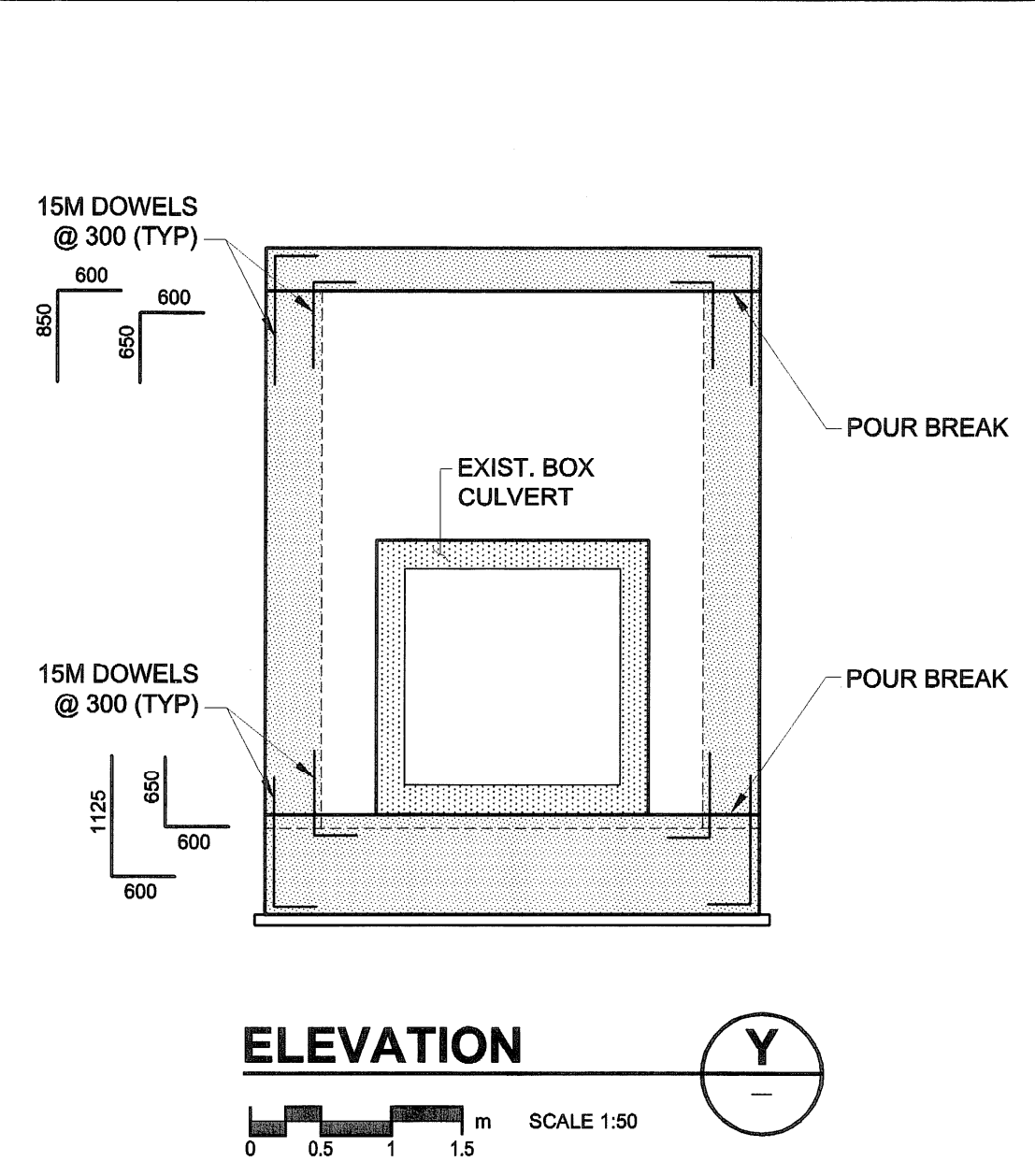
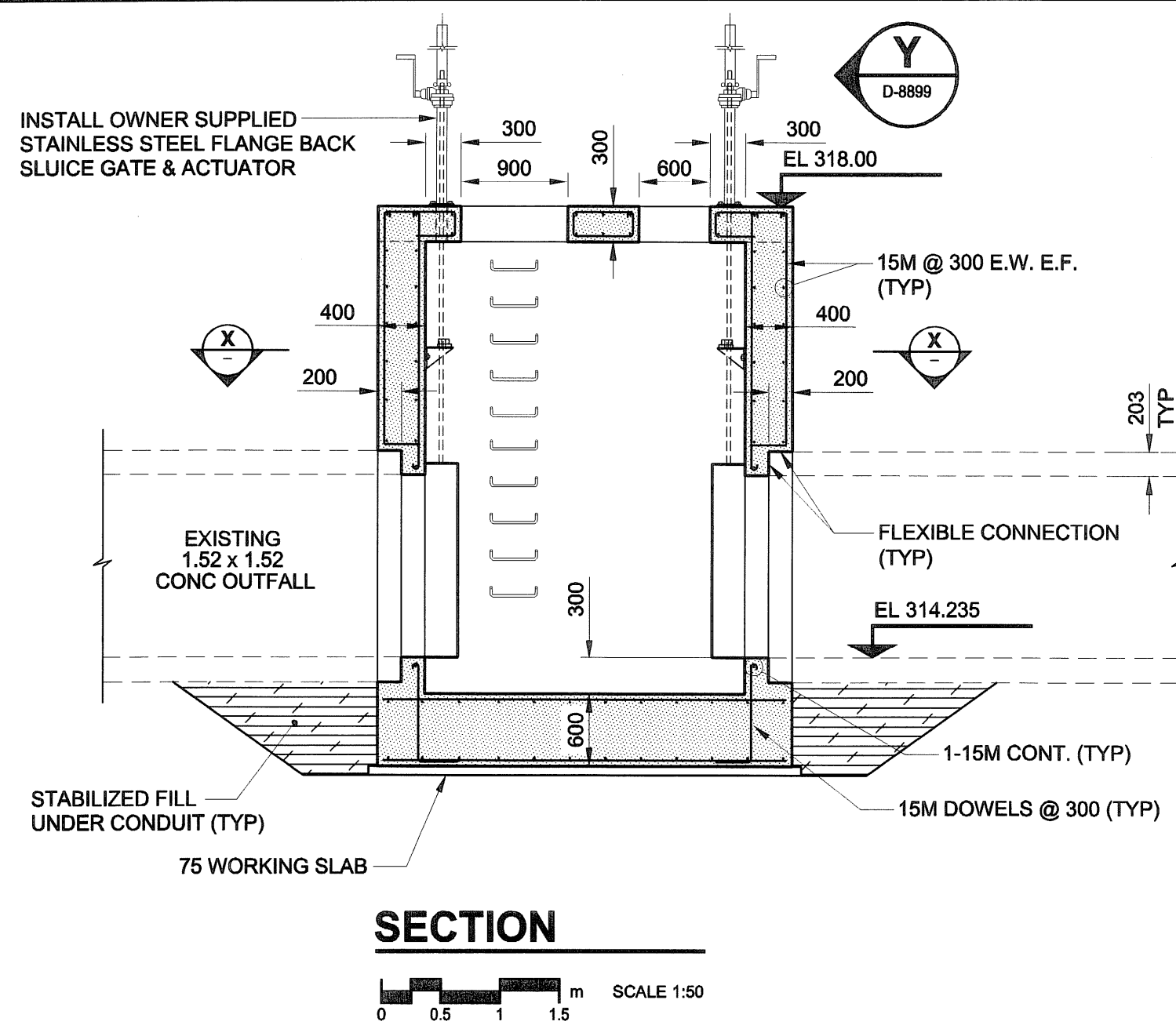


D SIZE 22" x 34" (559mm x 864mm)

PLOT: 06/03/14 8:57:07 AM

UMA FILE NAME: D265-200-00\_01-C-1002\_RX.dwg Saved By: [unclear]



**DETAILS**  
SCALE: N.T.S.  
ACCESS HATCH METAL FABRICATION

BID OPPORTUNITY NO. 138-2006

LOCATION APPROVED UNDERGROUND STRUCTURES			
SUPR. U/G STRUCTURES COMMITTEE	DATE		
NOTE: LOCATION OF UNDERGROUND STRUCTURES AS SHOWN ARE BASED ON THE BEST INFORMATION AVAILABLE. BUT NO GUARANTEE IS GIVEN THAT ALL EXISTING UTILITIES ARE SHOWN OR THAT THE GIVEN LOCATIONS ARE EXACT. CONFIRMATION OF EXISTENCE AND EXACT LOCATION OF ALL SERVICES MUST BE OBTAINED FROM THE INDIVIDUAL UTILITIES BEFORE PROCEEDING WITH CONSTRUCTION.			
C	REVISED - ADDED SLUICE GATE	06/03/09	DML
B	ISSUED FOR CONSTRUCTION	06/02/24	WJd
A	ISSUED FOR REVIEW	06/02/13	WJd
NO.	REVISIONS	YYMMDD	BY

UMA   AECOM	
© 2006 UMA ENGINEERING LTD. ALL RIGHTS RESERVED.	
DESIGNED BY	ESM / MGM
CHECKED BY	[Signature]
DRAWN BY	WJd
APPROVED BY	[Signature]
HOR. SCALE	AS NOTED
VERT. SCALE	AS NOTED
DATE	06/03/14

PROFESSIONAL'S SEAL	
CONSULTANT DRAWING NO.	02
D265-200-00	

<p><b>THE CITY OF WINNIPEG</b> WATER AND WASTE DEPARTMENT</p>	<p><b>SHOAL LAKE AQUEDUCT</b> ASSET PRESERVATION PROGRAM</p> <p>CONSTRUCTION OF MILE 83 SLUICE GATE CHAMBER</p> <p>SLUICE GATE CHAMBER GENERAL LAYOUT AND MISCELLANEOUS DETAILS</p>	SHEET 2 OF 2
		CITY DRAWING NUMBER
<p>D-8899</p>		REV C