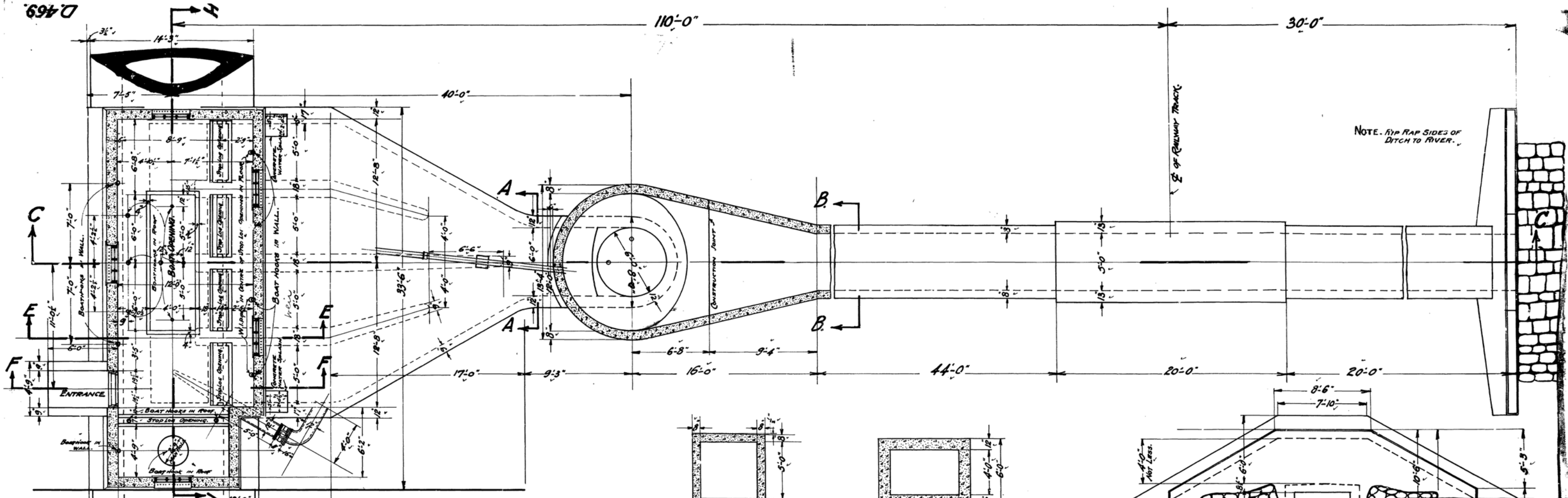
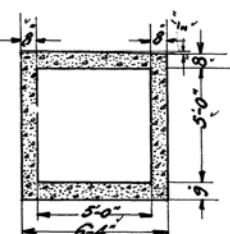


D.469

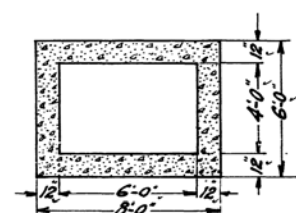


NOTE - RIP RAP SIDES OF DITCH TO RIVER.

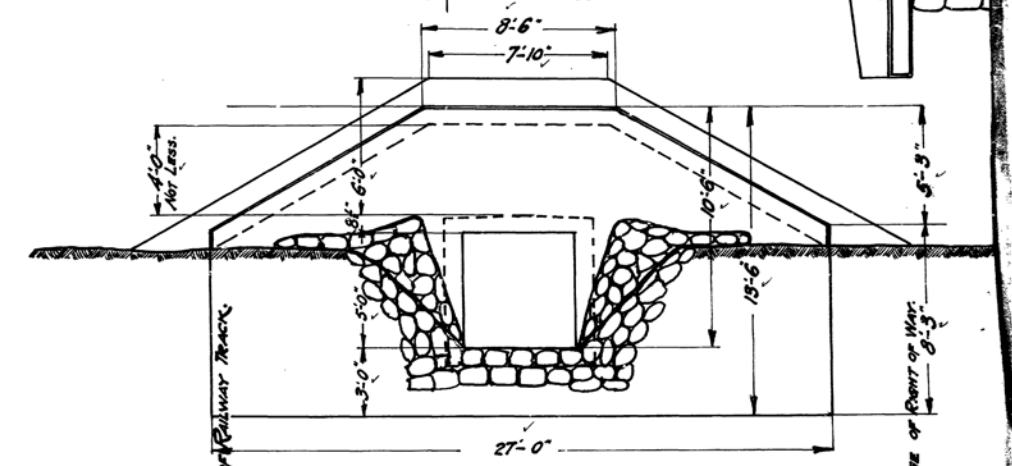
SECTION D-D.



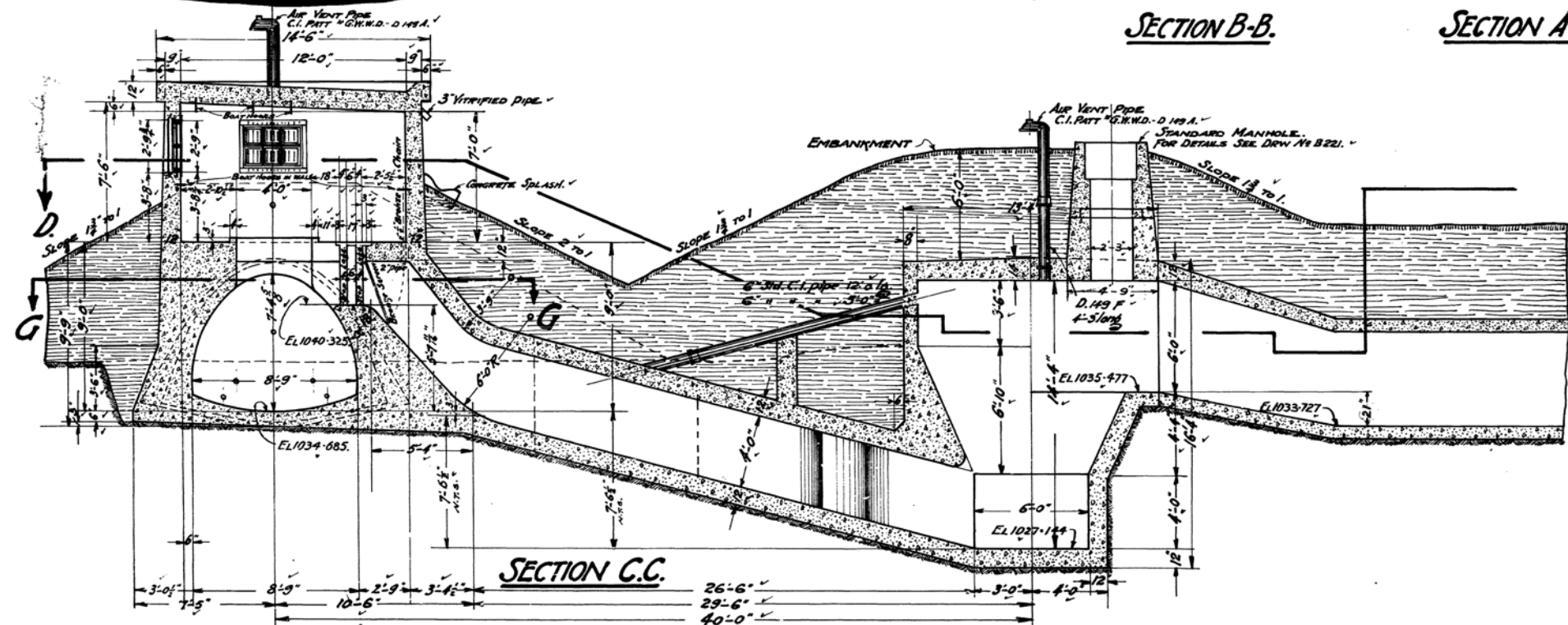
SECTION B-B.



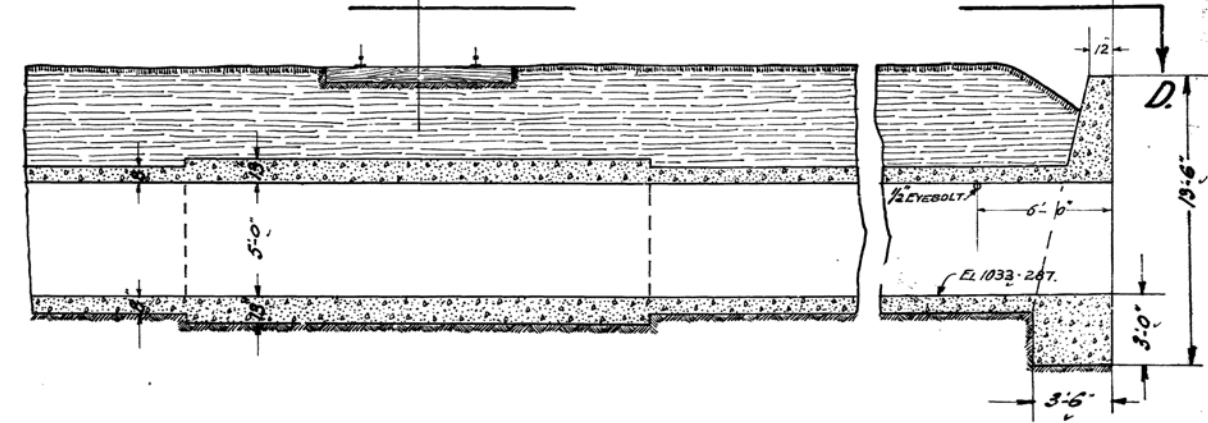
SECTION A-A.



ELEVATION OF DISCHARGE.



SECTION C-C.



CONTRACT 33.

D.469.

Drawn By *J.C.D.*
 Traced *J.C.D.*
 Checked *M.Sauer*
 Approved *M.Sauer*

James H. Fuertes
 Consulting Engineer.
W. Schae
 Chief Engineer.

GREATER WINNIPEG WATER DISTRICT.
 DETAIL OF OVERFLOW AND BLOWOFF STRUCTURE
 AT STA: 4384 + 00.
 DATE: JANUARY 24th 1918. SCALE: 1/4" = 1'-0"