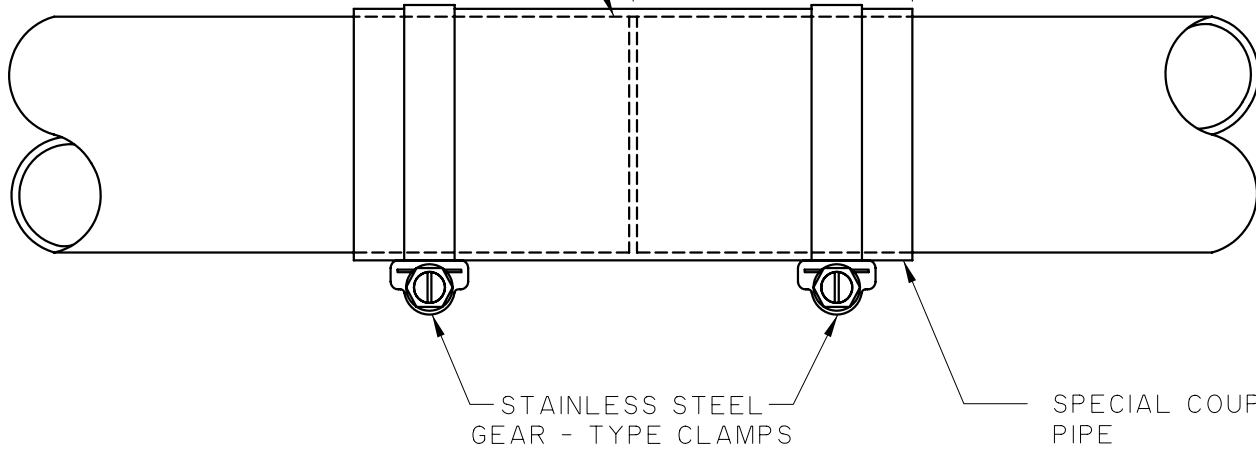


38 mm I.D. PLASTIC PIPE
TO BE CUT AT 90°

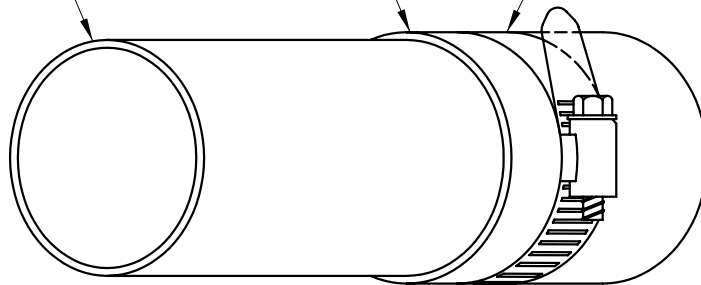
360 MIN.



SPECIAL COUPLING PIPE

PLASTIC PIPE
38 mm I.D.

STAINLESS STEEL
CLEAR - TYPE CLAMPS



DIMENSIONS IN MILLIMETRES



THE CITY OF WINNIPEG
PUBLIC WORKS DEPARTMENT
TRANSPORTATION DIVISION

Reference Spec. No.
CW 3620

Revisions

No.	Date	Description	By

JOINT FOR 38 mm
POLYETHYLENE DUCT

Designed By:
C.K.

Drawn By:
A.R.

Scale :
N.T.S.

Checked By:

Date:
95 - 03 - 09

Drawing No.

Approved:

ST-48