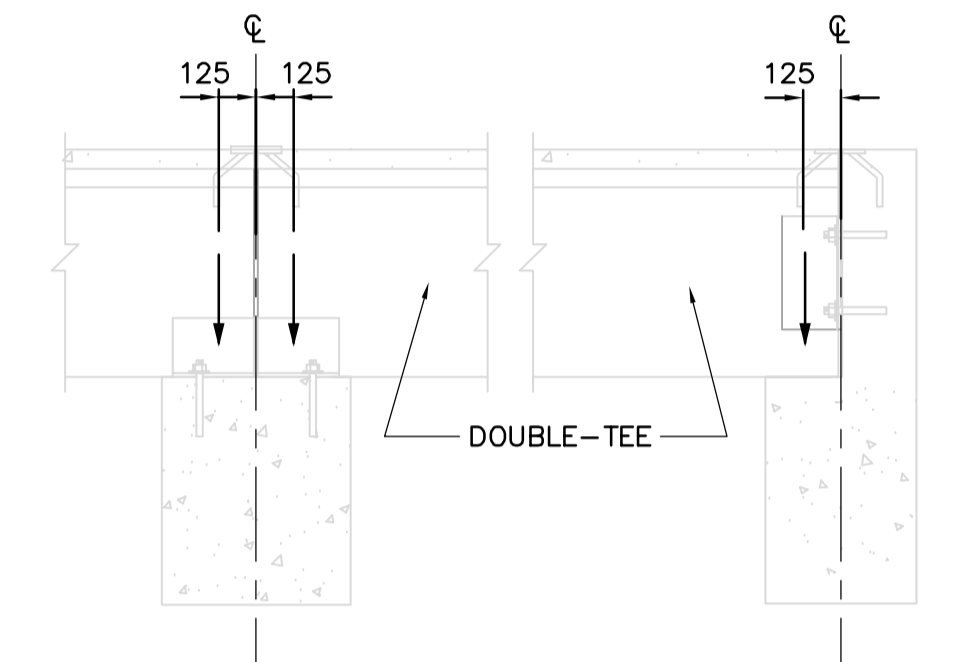


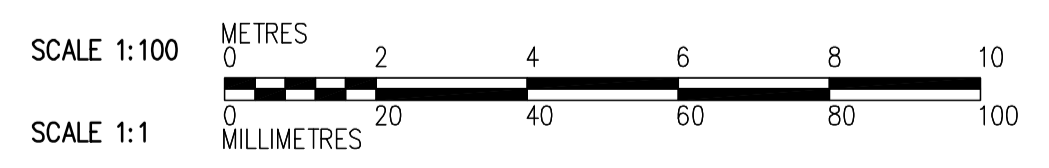
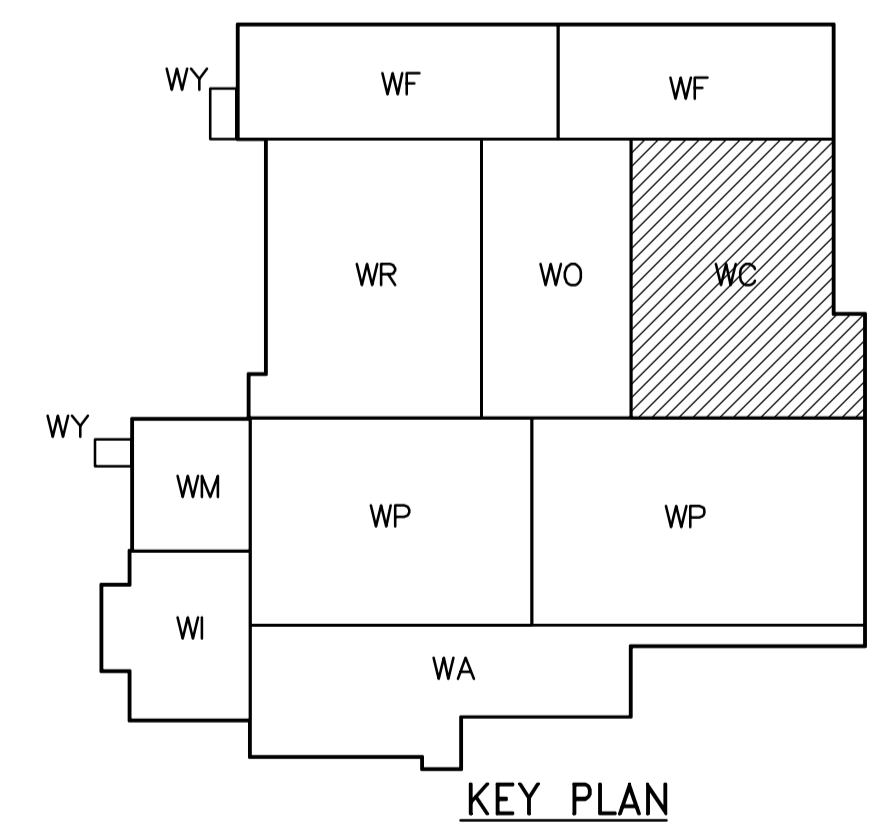
ROOF FRAMING PLAN
1:100

NOTES:

- MINIMUM DESIGN LIVE LOAD IS 1.0kN/m² IN ABSENCE OF SNOW LOAD.
- ESTIMATED WEIGHT OF PRECAST DOUBLE-TEE: 275kg/m²
- SEE ROOF PLAN DRAWINGS FOR ADDITIONAL LOADS.
- SEE BID OPPORTUNITY 583-2005 FOR COLUMN AND BEAM SCHEDULES.
- SEE LOADING INDICATED ON PLAN FOR ALLOWABLE LATERAL LOADS ON COLUMNS.
- ANY LOADS ON FRAMING IN EXCESS OF THOSE SHOWN OR NOTED REPRESENTS REQUIREMENT FOR ADDITIONAL BRACING AND/OR SHORING.
- ROOF FRAMING DESIGN LOADS DO NOT INCLUDE IMPACT DUE TO PRECAST INSTALLATION. CONTRACTOR SHALL EMPLOY PRECAST INSTALLATION PROCEDURES THAT WILL NOT OVERSTRESS THE FRAMING SYSTEM.
- MAXIMUM PERMISSIBLE EXCENTRICITY OF PRECAST DOUBLE-TEE REACTIONS IS SHOWN BELOW:



SEE ROOF PLAN DRAWINGS IN BO 583-2005 FOR SUPPORTING BEAM LOCATIONS.



ROOF FRAMING PLAN
1:100

| | | | | | | |
|--|-----------------|---|--|---------------------------------|---|-------------------------------|
| <p>APECN Certificate of Authorization CH2M HILL Canada Ltd. No. 1441 Expiry: April 30, 2007</p> | B.M. ELEV. | <p>Frederickson Cooper ARCHITECTS</p> | <p>EarthTech A 3M International Ltd. Company</p> | ENGINEER'S SEAL | <p>THE CITY OF WINNIPEG WATER AND WASTE DEPARTMENT ENGINEERING DIVISION</p> | |
| | DESIGNED BY: MH | | | CHECKED BY: AP | | ORIGINAL SIGNED BY: D. KRUGER |
| | DRAWN BY: CR | | | APPROVED BY: AHL | | 2006/10/11 |
| 00 ISSUED FOR TENDER | 06/10/11 DK | SCALE: 1:100 | RELEASED FOR CONSTRUCTION BY: R. SOROKOWSKI | CONSULTANT DRAWING NO. WC-S5141 | WATER TREATMENT PLANT CHEMICAL FEED SYSTEMS SUPPLY AND INSTALLATION OF PRECAST ROOF PANELS STRUCTURAL CHEMICAL AREA ROOF FRAMING PLAN | |
| NO. REVISIONS | DATE BY | DATE | DATE | | CITY FILE NUMBER SHEET OF CITY DRAWING NUMBER 1-0601C-A-S5141-001-000 | |