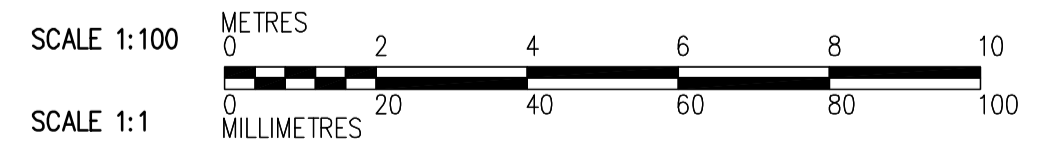
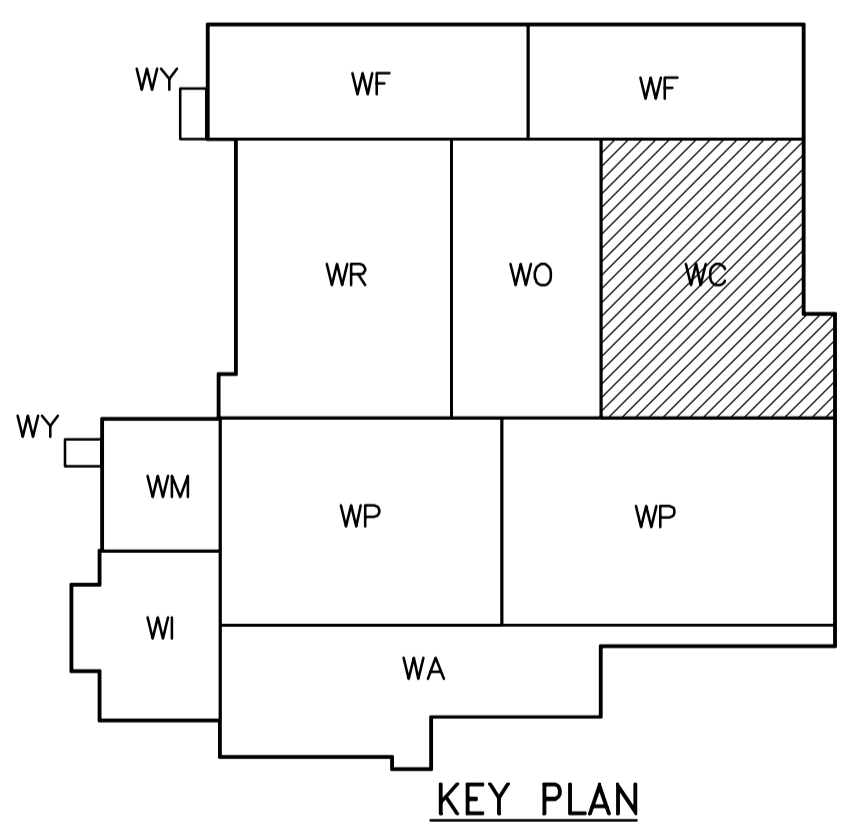
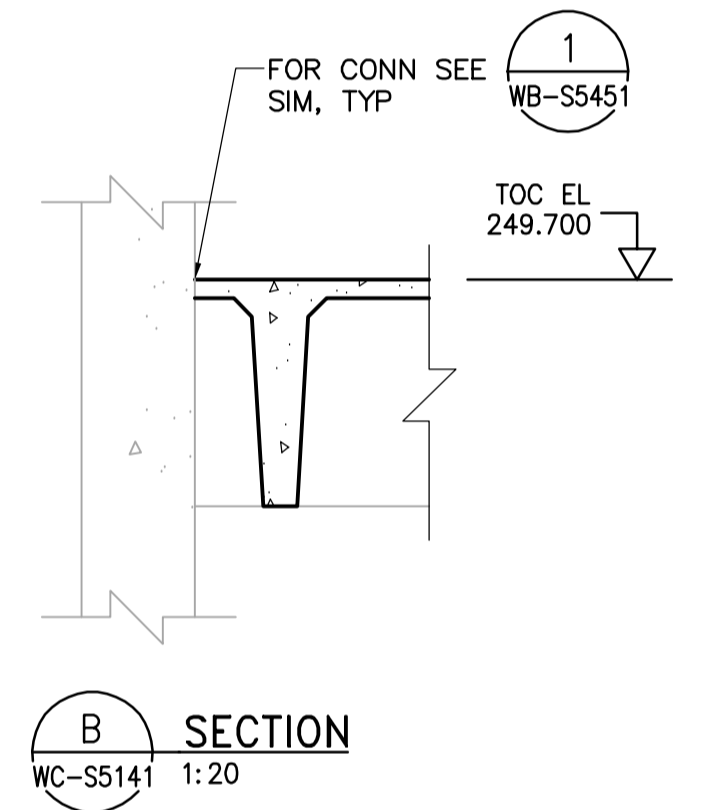
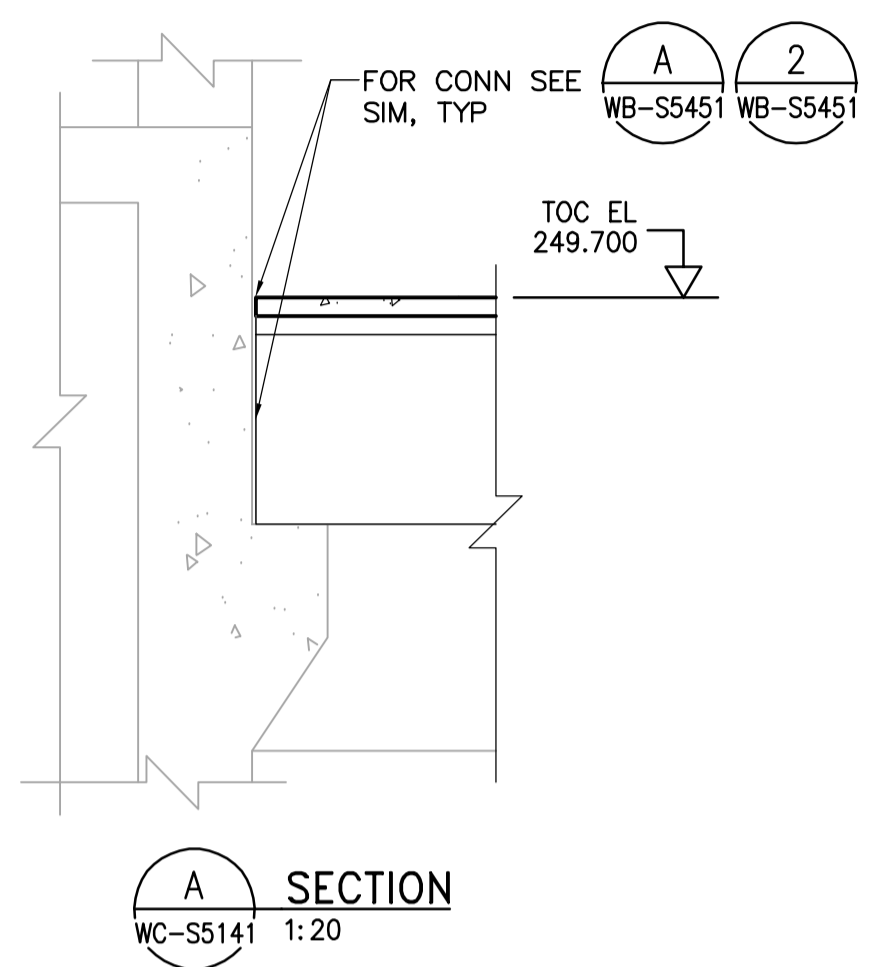


- NOTES:**
1. SPECIFIED SNOW LOAD AS NOTED ON PLAN.
 2. SPECIFIED SERVICE LOAD = 1 kPa
 3. SEE DRAWING WB-S5451 FOR PRECAST DETAILS.
 4. SEE DETAIL 3 TO SUPPORT LIGHT FIXTURES, WB-S5451
- INSTALLED UNDER SEPARATE CONTRACT.
5. PROVIDE 20mm DIA SLEEVES IN ALL DOUBLE TEE STEMS 1200mm C/C.



ROOF PLAN
1:100

APECA
Certificate of Authorization
CH2M HILL Canada Ltd.
No. 1441 Expiry: April 30, 2007

B.M. ELEV.			
DESIGNED BY	MH	CHECKED BY	AP
DRAWN BY	CR	APPROVED BY	AHL
SCALE:	AS NOTED	RELEASED FOR CONSTRUCTION BY:	R. SOROKOWSKI
NO. REVISIONS	DATE	DATE	DATE
00	ISSUED FOR TENDER	06/10/11	DK
		2006/08/30	

CH2MHILL
Frederickson Cooper
ARCHITECTS

EarthTech
A Tyco International Ltd. Company

DESIGNED BY: MH
CHECKED BY: AP
DRAWN BY: CR
APPROVED BY: AHL
SCALE: AS NOTED
RELEASED FOR CONSTRUCTION BY: R. SOROKOWSKI
DATE: 2006/10/11

ENGINEER'S SEAL
ORIGINAL SIGNED BY
D. KRUGER
2006/10/11
CONSULTANT DRAWING NO.
WC-S5146

THE CITY OF WINNIPEG
WATER AND WASTE DEPARTMENT
ENGINEERING DIVISION

WATER TREATMENT PLANT
CHEMICAL FEED SYSTEMS
SUPPLY AND INSTALLATION OF PRECAST ROOF PANELS

STRUCTURAL
CHEMICAL AREA
ROOF PLAN

CITY FILE NUMBER
SHEET OF
CITY DRAWING NUMBER
1-0601C-A-S5146-001-000