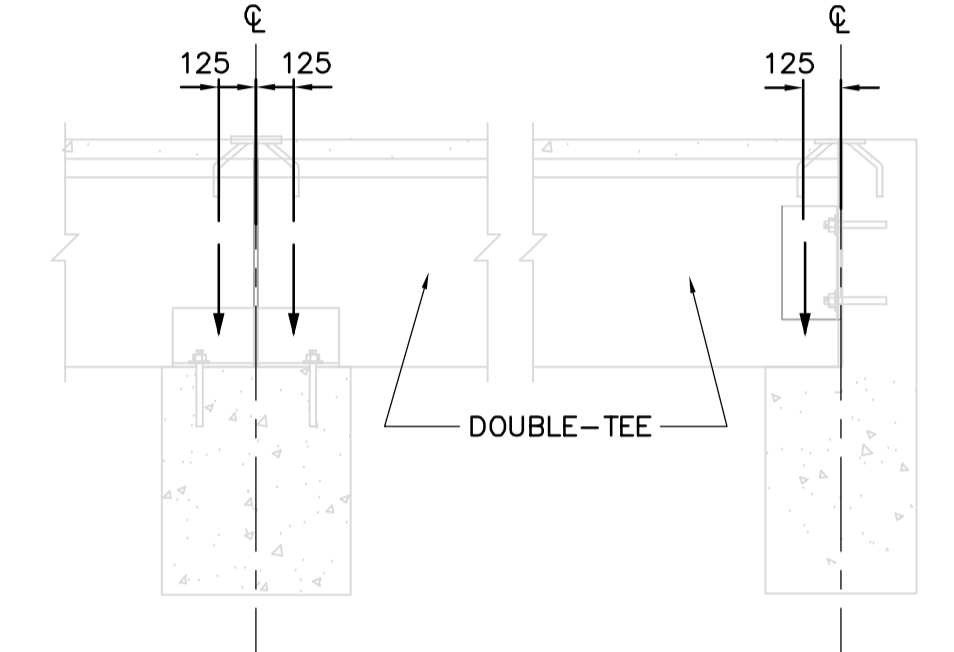


LATERAL LOAD CAPACITY OF EACH COLUMN IN THIS EAST-WEST ROW BETWEEN B15 AND B18 : 3.4kN

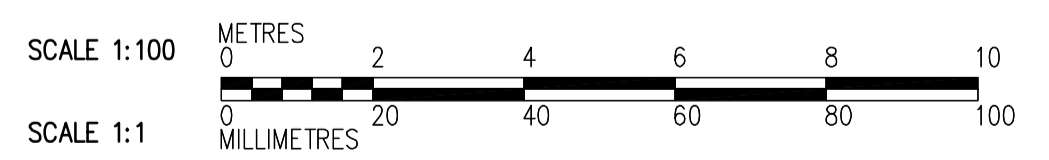
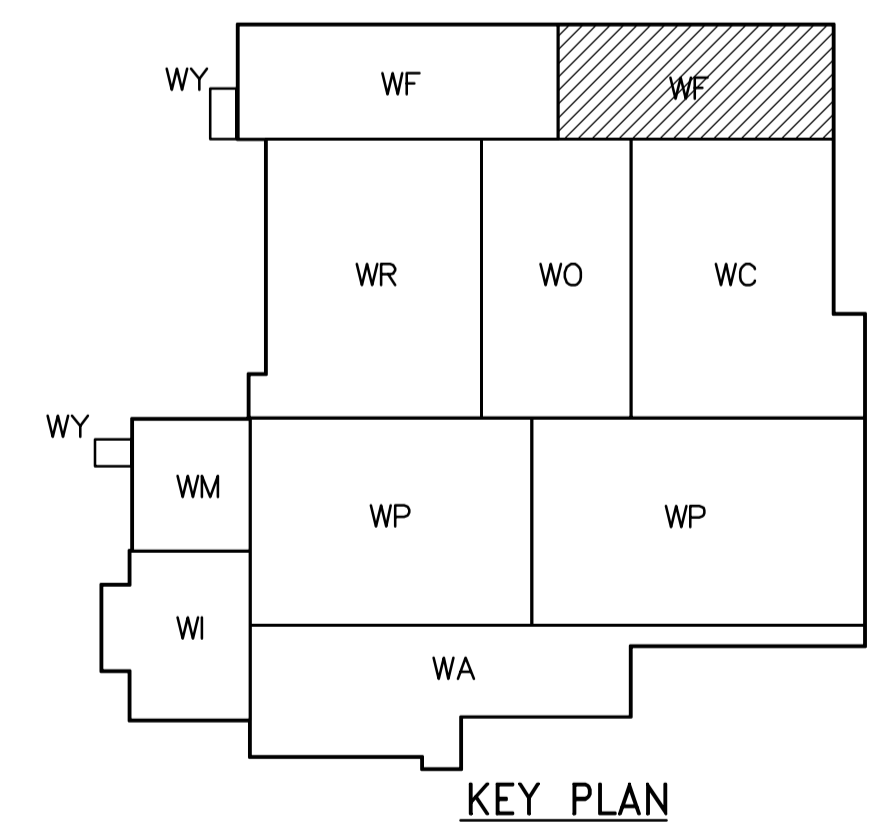
LATERAL LOAD CAPACITY OF EACH COLUMN IN THIS EAST-WEST ROW BETWEEN B15 AND B18 : 3.4kN

- NOTES:**
1. MINIMUM DESIGN LIVE LOAD IS 1.0kN/m² IN ABSENCE OF SNOW LOAD.
 2. ESTIMATED WEIGHT OF PRECAST DOUBLE-TEE: 275kg/m²
 3. SEE ROOF PLAN DRAWINGS FOR ADDITIONAL LOADS.
 4. SEE BID OPPORTUNITY 583-2005 FOR COLUMN AND BEAM SCHEDULES.
 5. SEE LOADING INDICATED ON PLAN FOR ALLOWABLE LATERAL LOADS ON COLUMNS.
 6. ANY LOADS ON FRAMING IN EXCESS OF THOSE SHOWN OR NOTED REPRESENTS REQUIREMENT FOR ADDITIONAL BRACING AND/OR SHORING.
 7. ROOF FRAMING DESIGN LOADS DO NOT INCLUDE IMPACT DUE TO PRECAST INSTALLATION, CONTRACTOR SHALL EMPLOY PRECAST INSTALLATION PROCEDURES THAT WILL NOT OVERSTRESS THE FRAMING SYSTEM.
 8. MAXIMUM PERMISSIBLE EXCENTRICITY OF PRECAST DOUBLE-TEE REACTIONS IS SHOWN BELOW:



SEE ROOF PLAN DRAWINGS IN BO 583-2005 FOR SUPPORTING BEAM LOCATIONS.

ROOF FRAMING PLAN
1:100



 Certificate of Authorization CH2M HILL Canada Ltd. No. 1441 Expiry: April 30, 2007	B.M. ELEV.	 Frederickson Cooper ARCHITECTS	 EarthTech A 100 International Ltd. Company	ENGINEER'S SEAL	 THE CITY OF WINNIPEG WATER AND WASTE DEPARTMENT ENGINEERING DIVISION WATER TREATMENT PLANT FILTRATION SUPPLY AND INSTALLATION OF PRECAST ROOF PANELS STRUCTURAL FILTRATION AREA 2 ROOF FRAMING PLAN	CITY FILE NUMBER
	DESIGNED BY: MH			CHECKED BY: AP		ORIGINAL SIGNED BY: D. KRUGER
	DRAWN BY: CR	APPROVED BY: AHL	2006/10/11	CITY DRAWING NUMBER		
	SCALE: 1:100	RELEASED FOR CONSTRUCTION BY: R. SOROKOWSKI	CONSULTANT DRAWING NO. WF-S5142	1-0601F-A-S5142-001-000		
00 ISSUED FOR TENDER	06/10/11 DK	DATE: 2006/08/30	DATE: 2006/10/11			