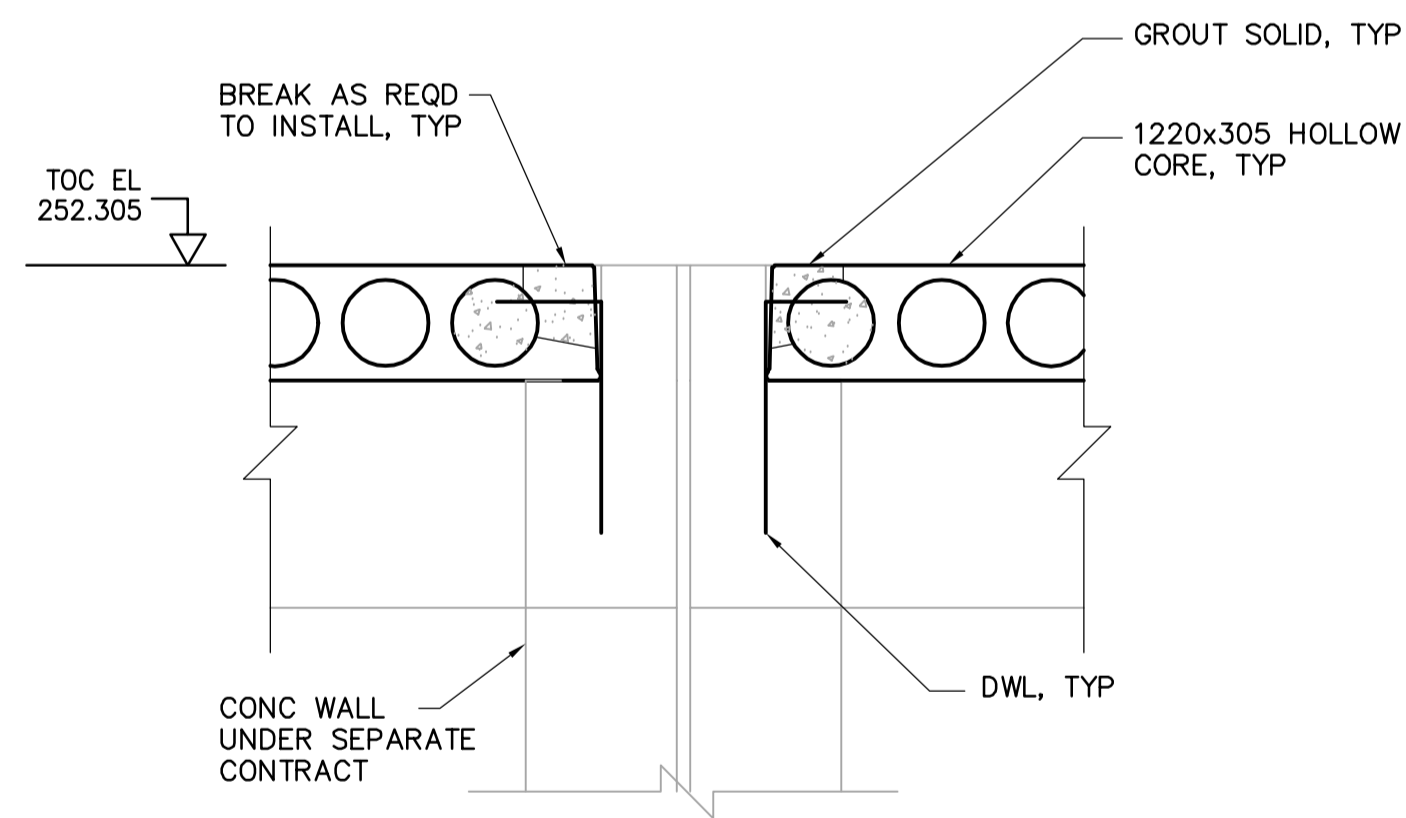
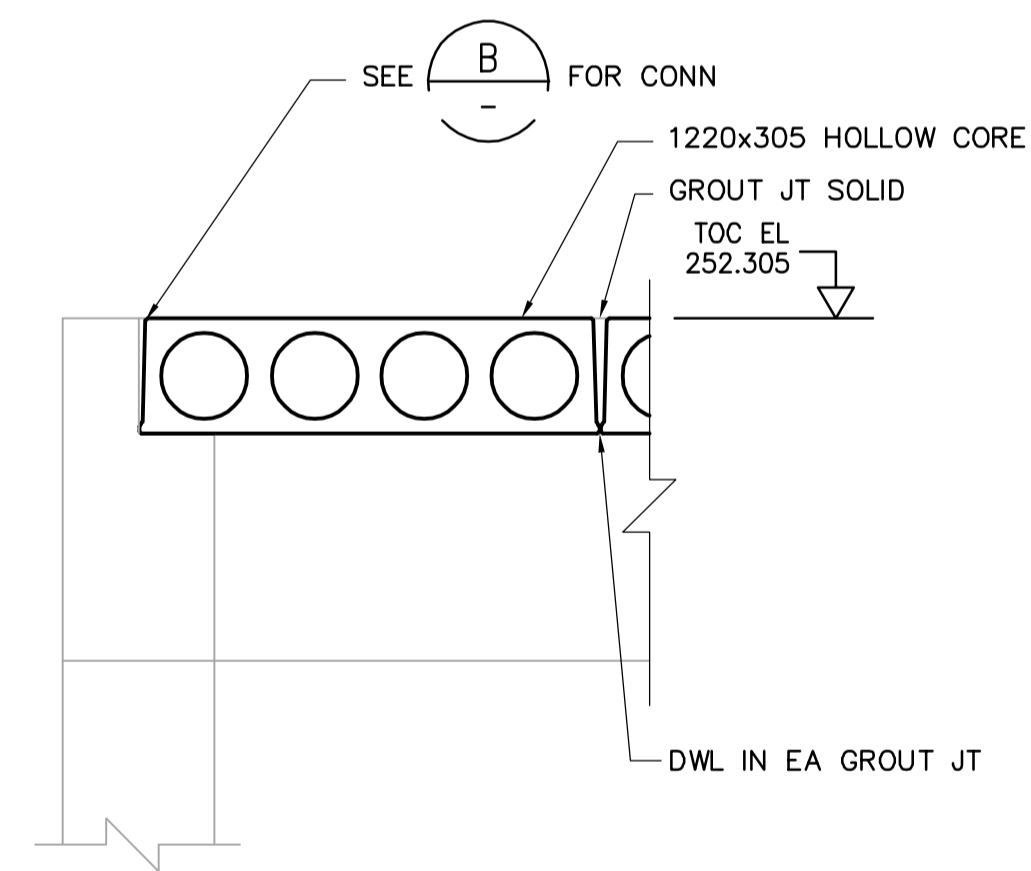


A SECTION
 WP-S5141 1:20
 WP-S5142,
 WP-S5146,
 WP-S5147

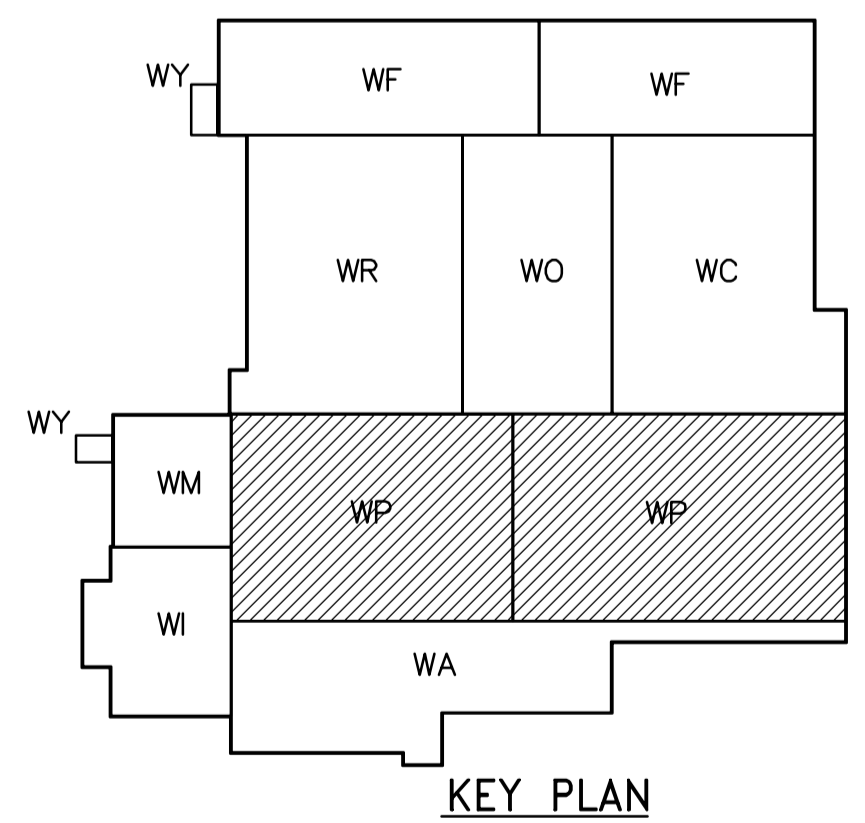


B SECTION
 WP-S5141 1:20
 WP-S5142,
 WP-S5146,
 WP-S5147



C SECTION
 WP-S5141 1:20
 WP-S5142,
 WP-S5146,
 WP-S5147

- NOTES:**
- COORDINATE DOWELS REQUIRED FOR HOLLOW CORE WITH CONTRACTOR FOR CAST-IN-PLACE CONCRETE.
 - CONNECTIONS SHOWN ON THIS DRAWING ARE SUGGESTED CONNECTIONS ONLY, REFER TO SPECIFICATIONS FOR DESIGN REQUIREMENTS.



 Certificate of Authorization CH2M HILL Canada Ltd. No. 1441 Expiry: April 30, 2007	<table border="1"> <tr> <td>B.M. ELEV.</td> <td></td> <td></td> <td></td> </tr> <tr> <td></td> <td></td> <td></td> <td></td> </tr> <tr> <td></td> <td></td> <td></td> <td></td> </tr> <tr> <td></td> <td></td> <td></td> <td></td> </tr> <tr> <td></td> <td></td> <td></td> <td></td> </tr> <tr> <td>00 ISSUED FOR TENDER</td> <td>06/10/11</td> <td>DK</td> <td></td> </tr> <tr> <td>NO. REVISIONS</td> <td>DATE</td> <td>BY</td> <td>DATE</td> </tr> </table>	B.M. ELEV.																				00 ISSUED FOR TENDER	06/10/11	DK		NO. REVISIONS	DATE	BY	DATE	 Frederickson Cooper ARCHITECTS	 1150 International Ltd. Company	ENGINEER'S SEAL ORIGINAL SIGNED BY D. KRUGER 2006/10/11 CONSULTANT DRAWING NO. WP-S5201	 THE CITY OF WINNIPEG WATER AND WASTE DEPARTMENT ENGINEERING DIVISION WATER TREATMENT PLANT FLOCCULATION AND DAF SUPPLY AND INSTALLATION OF PRECAST ROOF PANELS STRUCTURAL FLOC/DAF AREA SECTIONS	CITY FILE NUMBER SHEET OF CITY DRAWING NUMBER 1-0601P-A-S5201-001-000
		B.M. ELEV.																																
00 ISSUED FOR TENDER	06/10/11	DK																																
NO. REVISIONS	DATE	BY	DATE																															
DESIGNED BY: MH CHECKED BY: AP DRAWN BY: CR APPROVED BY: AHL SCALE: 1:20 RELEASED FOR CONSTRUCTION BY: R. SOROKOWSKI DATE: 2006/08/30 DATE: 2006/10/11																																		