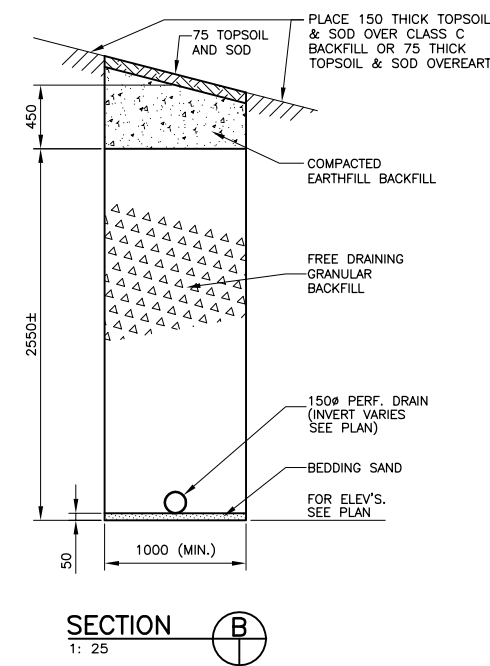


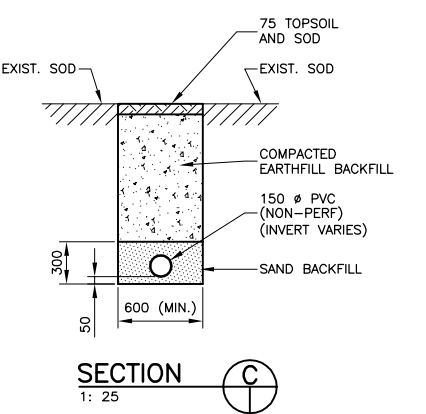
LOCATION PLAN

NOTES:

1. CONTRACTOR NOT TO DAMAGE IN-SERVICE IRRIGATION SYSTEM, OR REPAIR IF DAMAGED.
2. CONNECTION OF NON-PERFORATED DRAIN PIPE SHOWN AT CURB & GUTTER INLET. CONTRACTOR TO OPEN M.H./C.B. PRIOR TO TRENCH CONSTRUCTION TO ENABLE CONTRACT ADMINISTRATOR TO DETERMINE IF NON-PERFORATED PIPE CONNECTION MAY BE MADE TO M.H./C.B. INSTEAD.

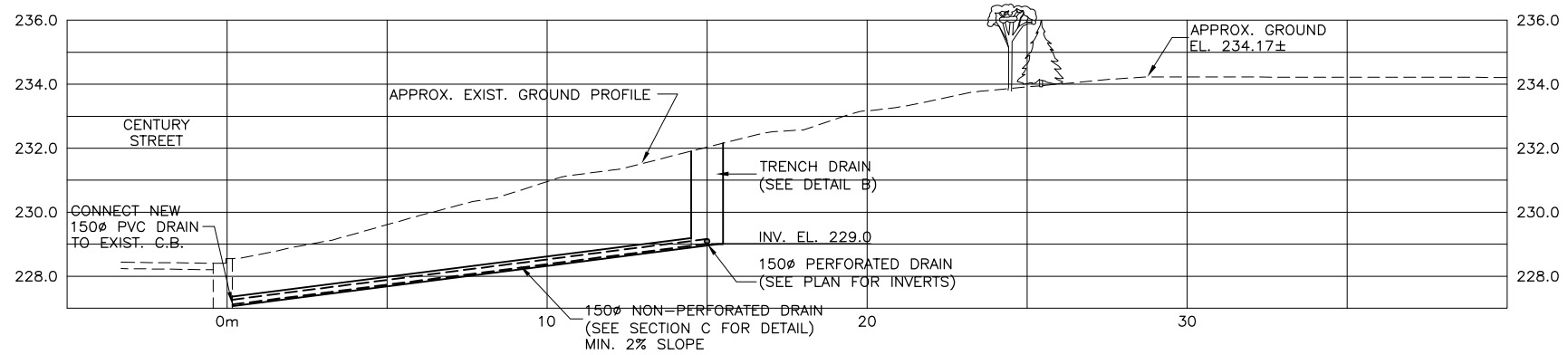


SECTION B
1: 25



SECTION C
1: 25

PROPOSED TRENCH AS SHOWN



SECTION A
1:100

WARNING
CONTRACTOR TO OBTAIN UTILITY CLEARANCES PRIOR TO COMMENCING EXCAVATION.

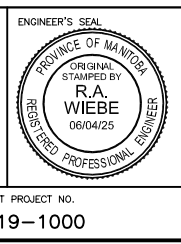
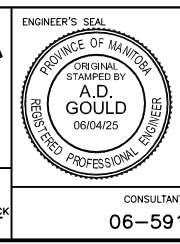
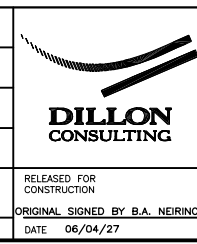
BENCH MARK
53 (654553) - TBLT. IN 3.7m CONC. PILE, 3.7m N. OF S.L. OF PORTAGE AVE., & 3.4m E. OF LINE W.L. OF KING EDWARD ST.

METRIC
WHOLE NUMBERS INDICATE MILLIMETRES
DECIMALIZED NUMBERS INDICATE METRES



DRAWING REDUCED NOT TO SCALE

| | | | | |
|------------|-------------------------------|--------------------|--------------------|---------------|
| B.M. ELEV. | BM ELEV. | 38-008 235.437m | DESIGNED BY | A.D.G./R.A.W. |
| | | | DRAWN BY | A.J.P. |
| | | | CHECKED BY | R.A.W. |
| | | | REVIEWED BY | A.D.G. |
| 2 | REVISED AND ISSUED FOR TENDER | 06/05/01 M.R.D. | HOR. SCALE | AS SHOWN |
| 1 | ISSUED FOR CITY TENDER | 06/04/25 M.R.D. | VERTICAL | AS SHOWN |
| 0 | ISSUED FOR CITY REVIEW | 06/04/24 M.R.D. | ORIGINAL SIGNED BY | B.A. NEIRINCK |
| NO. | REVISIONS | DATE | DATE | 06/04/24 |



THE CITY OF WINNIPEG
PUBLIC WORKS DEPARTMENT

2006 BRIDGE MAINTENANCE
PORTAGE AVE. OVERPASS AT ROUTE 90
N.W. QUADRANT
SLOPE FAILURE REPAIR

CITY DRAWING NUMBER
B223-06-01
SHEET 1 OF 1

BID OPP. NO.
207-2006

PLAN, SECTION AND DETAILS

CONSULTANT PROJECT NO.
06-5919-1000

RELEASED FOR CONSTRUCTION
DATE 06/04/27