

INSTRUMENT LOOP DIAGRAM

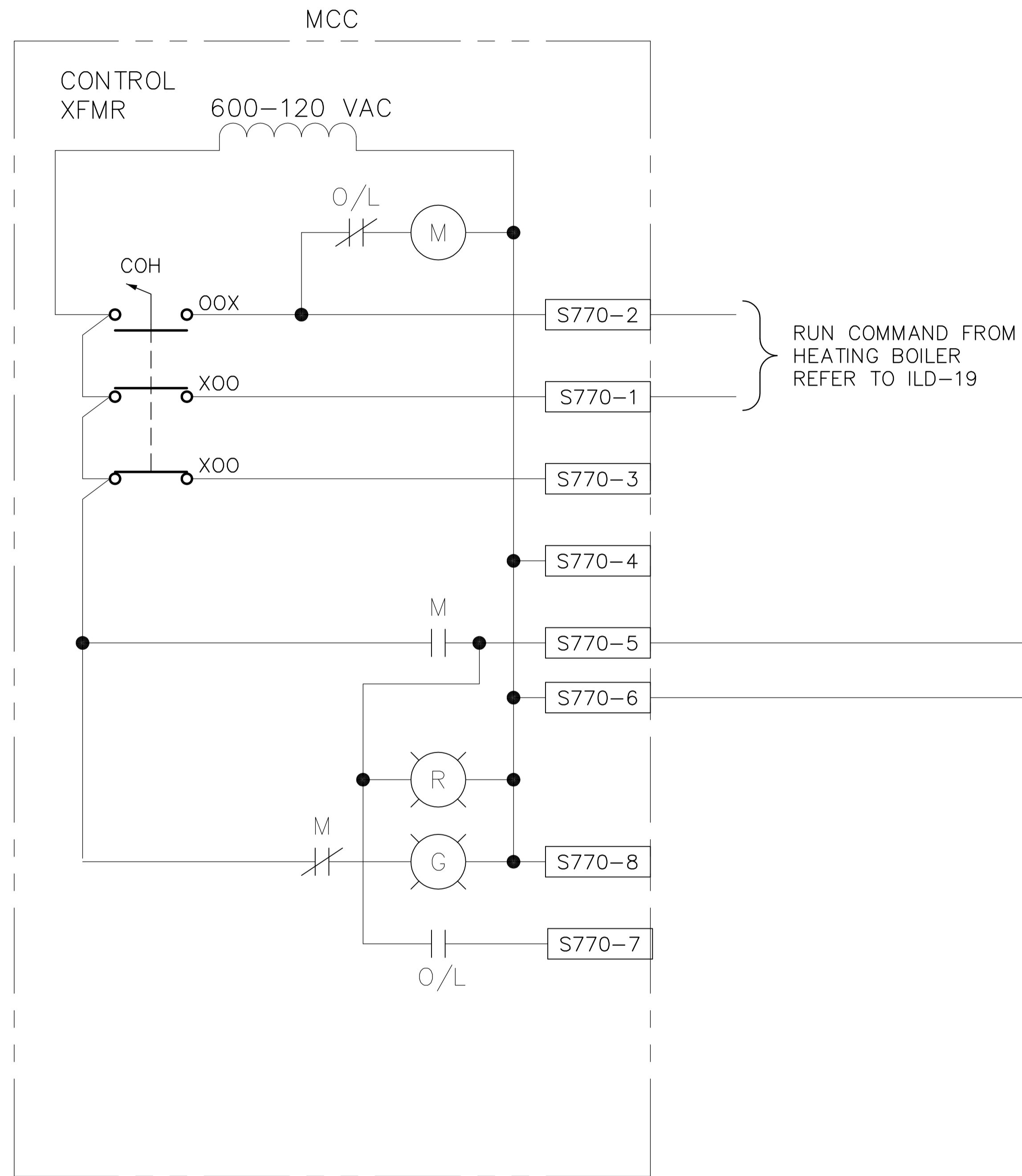
LOOP NO. S770

FIELD PROCESS AREA

FIELD DEVICE PANEL

DCS

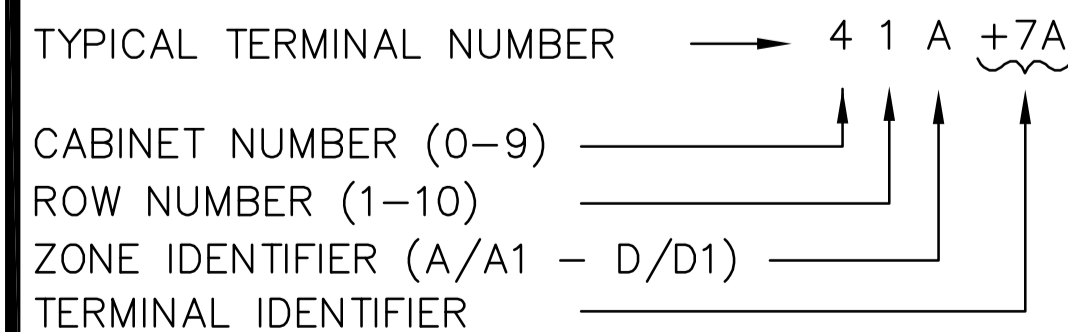
REFER TO DCS TERMINAL NUMBERING LEGEND BELOW



RUN COMMAND FROM HEATING BOILER REFER TO ILD-19

CA-S770-MM DISCRETE INPUT RUNNING STATUS

DCS TERMINAL NUMBERING



Earth Tech (Canada) Inc. Winnipeg, Manitoba 204.477.5381



THE CITY OF WINNIPEG  
**WATER AND WASTE DEPARTMENT**  
 WEWPCC - BIOLOGICAL NUTRIENT REMOVAL UPGRADE

SCALE AS NOTED  
 DATE 2006/07/12  
 DES BL DWN SRP  
 CKD BL APP

TYPICAL INSTRUMENT LOOP DIAGRAM  
 HVAC FVNR MOTOR STARTER

DRAWING NO.  
 ILD-20

DATE	REVISION	APP.