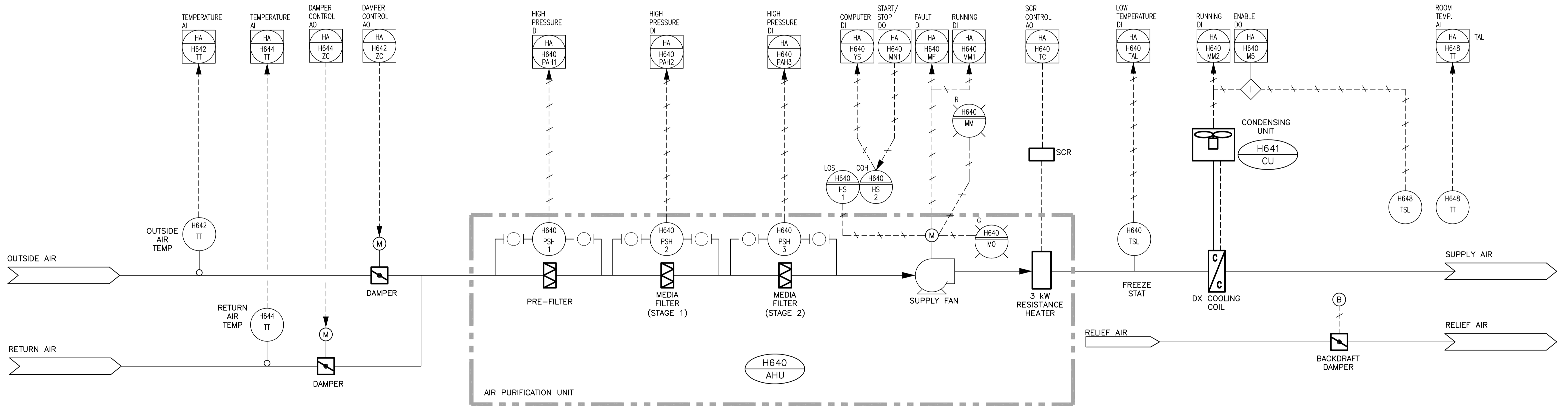


1 ELECTRICAL ROOM HEATING, COOLING AND VENTILATION UNIT T610-AHU
LM4.08 SCALE NTS



2 CONTROL ROOM HEATING, COOLING AND VENTILATION UNIT H640-AHU
LM4.08 SCALE NTS

GENERAL NOTES

- REFER TO PLANS FOR PIPE AND DUCT SIZES.
- REFER TO SPEC. SECTIONS 15940 FOR ADDITIONAL REQUIREMENTS.



B.M. ELEV.		 A Tyco International Ltd. Company		ENGINEER'S SEAL	
DESIGNED BY:	AB/LJW	CHECKED BY:	PVL	ORIGINAL SIGNED BY	
DRAWN BY:	LJW	APPROVED BY:	JEH	A. BURACHYNSKY	
HOR. SCALE:	NTS	RELEASED FOR CONSTRUCTION BY:		2006/04/26	
VERTICAL SCALE:		J. VEILLEUX		CONSULTANT DRAWING NO.	
NO. REVISIONS	DATE	BY	DATE	LM4.08	
03	21-2006 ADDENDUM 11	06/07/17	DC		
02	21-2006 ADDENDUM 4	06/06/02	DC		
01	21-2006 ADDENDUM 1	06/05/10	DC		
00	ISSUED FOR TENDER	06/04/26	LJW		

THE CITY OF WINNIPEG
 WATER AND WASTE DEPARTMENT
 ENGINEERING DIVISION

WEWPC
 BIOLOGICAL NUTRIENT REMOVAL UPGRADE
 CONTRACT 3

MECHANICAL
 AREA L - GENERAL AND SITEWORKS
 HEATING, COOLING & VENTILATION SCHEMATICS

CITY FILE NUMBER

SHEET OF

CITY DRAWING NUMBER