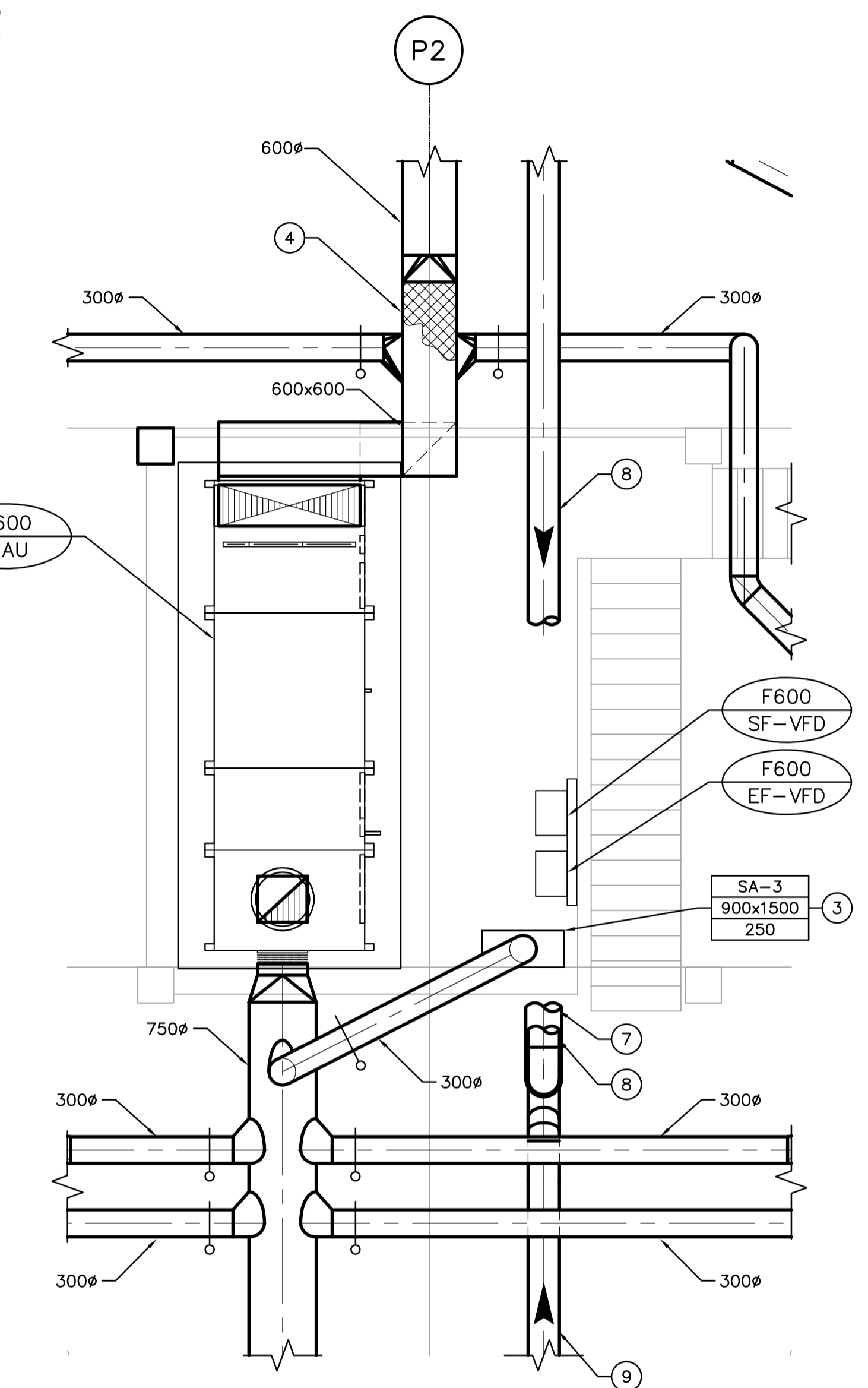
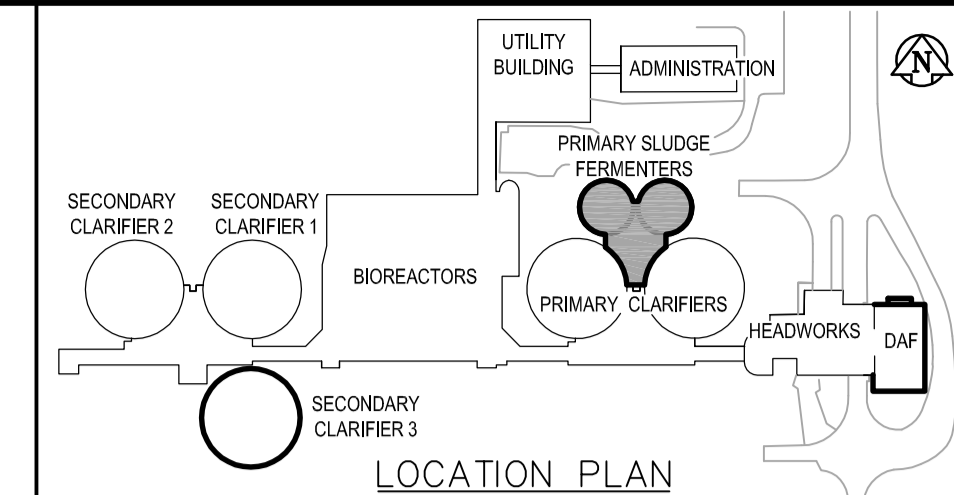


LOWER LEVEL VENTILATION PLAN
SCALE: 1:100

UPPER LEVEL VENTILATION PLAN
SCALE: 1:100



(A) MEZZANINE LEVEL VENTILATION PLAN
FM2.01 SCALE 1:50

DRAWING NOTES

- ① SEE DRAWING PM2.01 FOR CONTINUATION.
- ② DIFFUSERS MOUNTED 300mm A.F.F. TYPICAL OF 6.
- ③ DIFFUSER SECURED TO RAILING.
- ④ ACOUSTIC INSULATION FOR ENTIRE LENGTH OF 600x600 DUCT.
- ⑤ CONNECT TO PROCESS MECHANICAL THERMAL OXIDIZER.
- ⑥ THERMAL OXIDIZER (F661-TO). SEE PROCESS MECHANICAL
- ⑦ 400Ø DUCT TO F660-EF.
- ⑧ 350Ø FOUL AIR DUCT FROM F650-EF.
- ⑨ 350Ø FOUL AIR DUCT FROM H710-EF.
- ⑩ ADD BALANCING DAMPER ON DISCHARGE SIDE OF F650-EF. BALANCING DAMPER SHALL BE MINIMUM THREE (3) DUCT DIAMETERS AWAY FROM FAN DISCHARGE.
- ⑪ PRESSURE TRANSMITTER (F555-PIT2) LOCATED AT HIGHEST POINT IN WET WELL.
- ⑫ MOTORIZED DAMPERS F661-MD1 AND F662-MD1.
- ⑬ SUPPLY AND INSTALL 600x400 STAINLESS STEEL FUME HOOD 1800 A.F.F. FUME HOOD SHALL BE CENTRED OVER DIVISION II SAMPLING LINES.
- ⑭ SUPPLY FANS INSTALLED DIRECTLY ABOVE STAINLESS STEEL FUME HOODS.
- ⑮ 250Ø DUCT FROM SUPPLY FANS SHALL RISE UP ALONG WALL AND PENETRATE THE FERMENTER TANKS AS HIGH AS POSSIBLE.
- ⑯ DUCT TO PENETRATE UP THROUGH ROOF AND RUN OVER INTO THE TOP OF SUPERNATANT WETWELL. SEE FM3.01 FOR CONTINUATION.



B.M. ELEV.					
EarthTech A Tyco International Ltd. Company					
DESIGNED BY:	DC	CHECKED BY:	PVL		
DRAWN BY:	DC	APPROVED BY:	JEH		
HOR. SCALE:	AS NOTED	RELEASED FOR CONSTRUCTION BY:	J. VEILLEUX		
VERTICAL SCALE:		DATE:	2005/12/19	DATE:	2006/04/26
NO. REVISIONS		DATE		DATE	
01	21-2006 ADDENDUM 3	06/05/19	DC		
00	ISSUED FOR TENDER	06/04/26	DC		

ENGINEER'S SEAL		
ORIGINAL SIGNED BY	A. BURACHYNSKY	
	2006/04/26	
CONSULTANT DRAWING NO.	FM2.01	
THE CITY OF WINNIPEG WATER AND WASTE DEPARTMENT ENGINEERING DIVISION		
WEWPC BIOLOGICAL NUTRIENT REMOVAL UPGRADE CONTRACT 3		CITY FILE NUMBER
MECHANICAL AREA F - PRIMARY SLUDGE FERMENTERS PUMP ROOM VENTILATION PLANS		SHEET OF
		CITY DRAWING NUMBER

- GENERAL NOTES**
- COORDINATE WITH OTHER TRADES SO AS TO PREVENT CONFLICTS.
 - ALL DUCTWORK SHALL BE SUPPORTED AND SUSPENDED AS PER SPECIFICATIONS AND LOCAL CODES (SEE DETAILS).
 - ALL DUCTWORK SHALL BE STAINLESS STEEL.