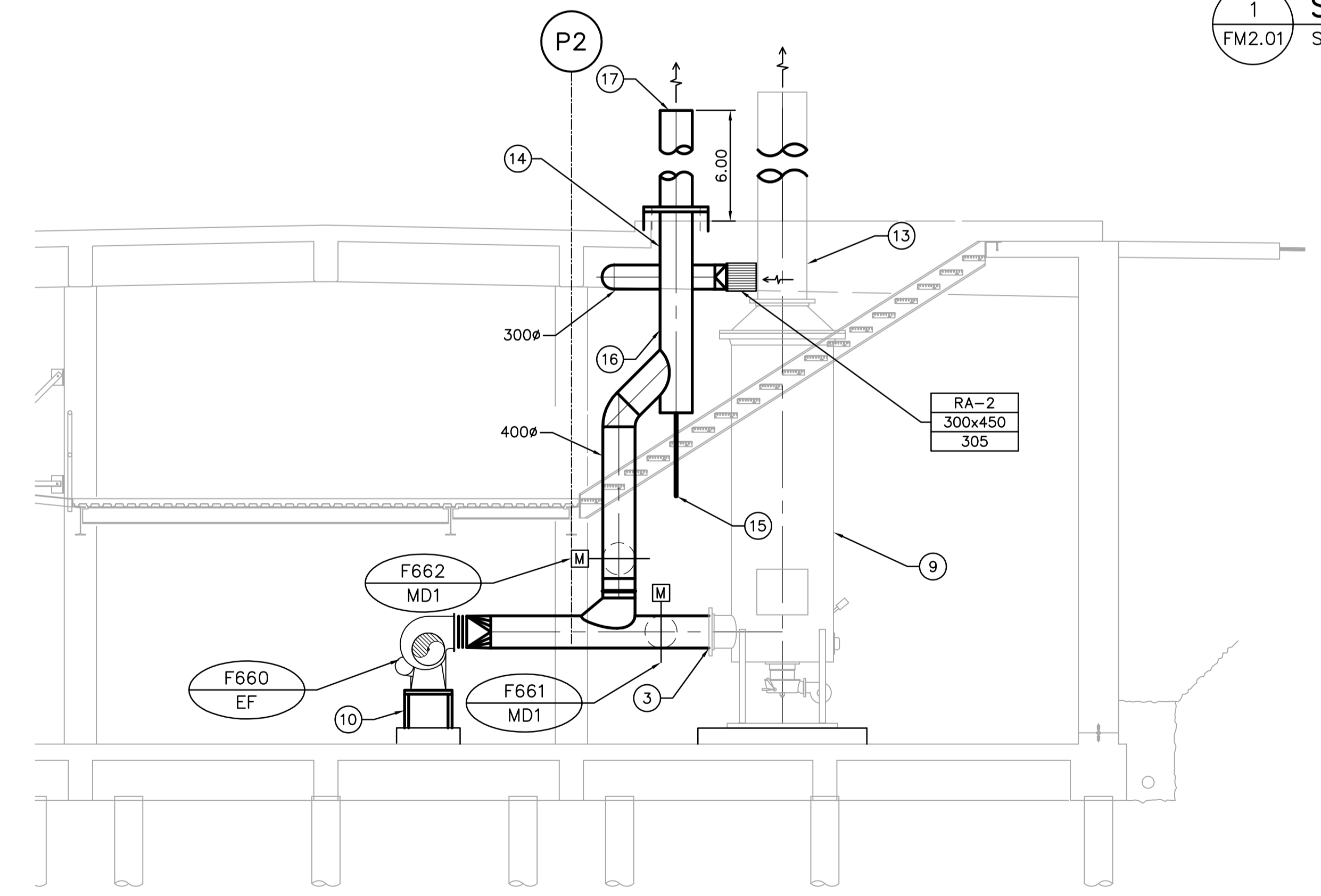


1 SECTION
FM2.01 SCALE 1:50



2 SECTION
FM2.01 SCALE 1:50

DRAWING NOTES

- 1 50mm THERMAL INSULATION TO PENETRATE THROUGH ROOF AND INTO ROOF CURB.
- 2 AIR DIFFUSERS SHALL BE SECURELY ANCHORED TO WALL (TYP OF 6).
- 3 400Ø DUCT TO THERMAL OXIDIZER.
- 4 F600-MUA TO BE MOUNTED ON 150mm HIGH CONCRETE PAD. CONCRETE PAD PROVIDED BY STRUCTURAL.
- 5 TO INTAKE OF F650-EF, F651-MD1 LOCATED 1500 AFF IN THIS DUCT.
- 6 FOUL AIR FROM H710-EF. SEE DRAWING PM2.01 FOR CONTINUATION.
- 7 PRESSURE SWITCH (F555-PIT) LOCATED AT HIGHEST POINT IN WETWELL. CONTROLS F650-EF.
- 8 300Ø SUPPLY AIR DUCT TO FLOOR MOUNTED SUPPLY AIR DIFFUSER.
- 9 THERMAL OXIDIZER (F661-TO) BY DIVISION II.
- 10 MECHANICAL CONTRACTOR TO PROVIDE STAND FOR F660-EF. CENTERLINE OF EXHAUST FAN DISCHARGE SHALL LINE UP w/ THERMAL OXIDIZER FOUL AIR CONNECTION CENTERLINE.
- 11 300mm LONG, 15° CONICAL INTAKE. LIP OF INTAKE TO BE FLUSH AGAINST UNDERSIDE OF CEILING.
- 12 ACOUSTICALLY INSULATE ENTIRE LENGTH OF 600x600 DUCT.
- 13 THERMAL OXIDIZER EXHAUST STACK BY DIVISION II.
- 14 THERMAL OXIDIZER BY-PASS STACK c/w 50mm INSULATION AND ALUMINUM JACKETING.
- 15 PIPE 15mm HOSE TO NEAREST DRAIN. FORM A P-TRAP IN HOSE NEAR GROUND LEVEL. P-TRAP TO HOLD AT LEAST A 150mm HIGH COLUMN OF WATER.
- 16 SUPPORT 400Ø BYPASS DUCT FROM UNDERSIDE OF CEILING
- 17 BY-PASS STACK TO BE 6.0 METERS ABOVE FERMENTER GALLERY ROOF.

GENERAL NOTES

1. COORDINATE WITH OTHER TRADES SO AS TO PREVENT CONFLICTS.
2. ALL DUCTWORK SHALL BE SUPPORTED AND SUSPENDED AS PER SPECIFICATIONS AND LOCAL CODES. (SEE DETAILS)

APEGM
Certificate of Authorization
Earth Tech Canada Inc.
No. 730 Expiry: April 30, 2006

B.M. ELEV.	EarthTech A Tyco International Ltd. Company		ENGINEER'S SEAL
	DESIGNED BY: DC	CHECKED BY: PVL	ORIGINAL SIGNED BY: A. BURACHYNSKY
	DRAWN BY: DC	APPROVED BY: JEH	2006/04/26
	HOR. SCALE: AS NOTED VERTICAL SCALE:		CONSULTANT DRAWING NO. FM4.01
01 21-2006 ADDENDUM 3	06/05/19	DC	RELEASED FOR CONSTRUCTION BY: J. VEILLEUX
00 ISSUED FOR TENDER	06/04/26	DC	DATE 2005/12/19 DATE 2006/04/26
NO. REVISIONS	DATE	BY	

THE CITY OF WINNIPEG
WATER AND WASTE DEPARTMENT
ENGINEERING DIVISION

WEPCC
BIOLOGICAL NUTRIENT REMOVAL UPGRADE
CONTRACT 3

MECHANICAL
AREA F - PRIMARY SLUDGE FERMENTERS
SECTION

CITY FILE NUMBER
SHEET OF
CITY DRAWING NUMBER