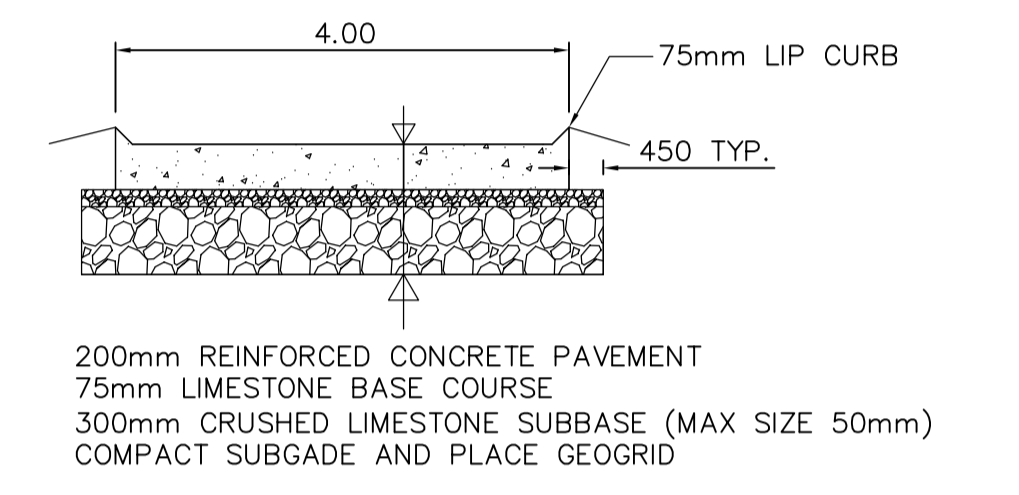
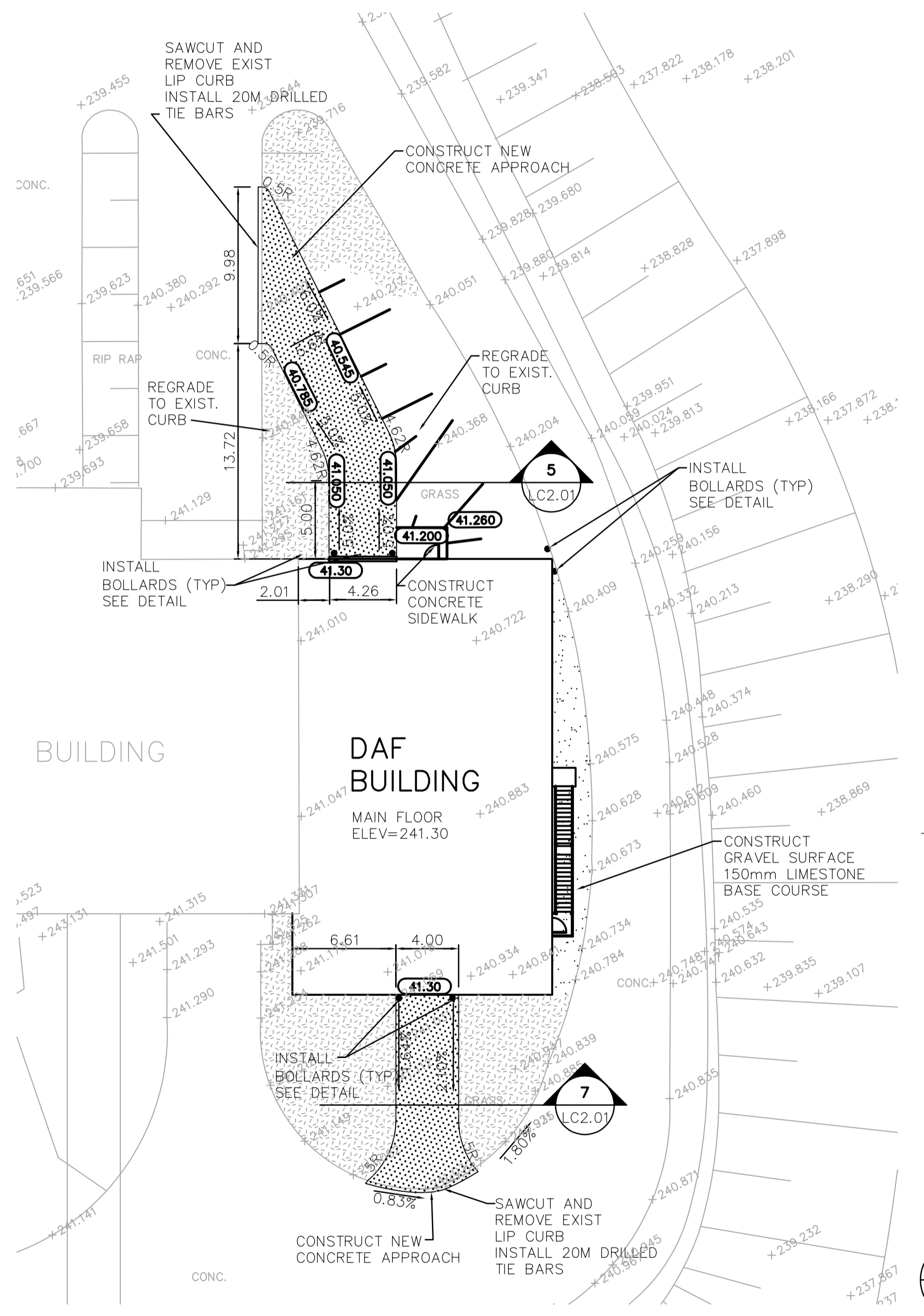
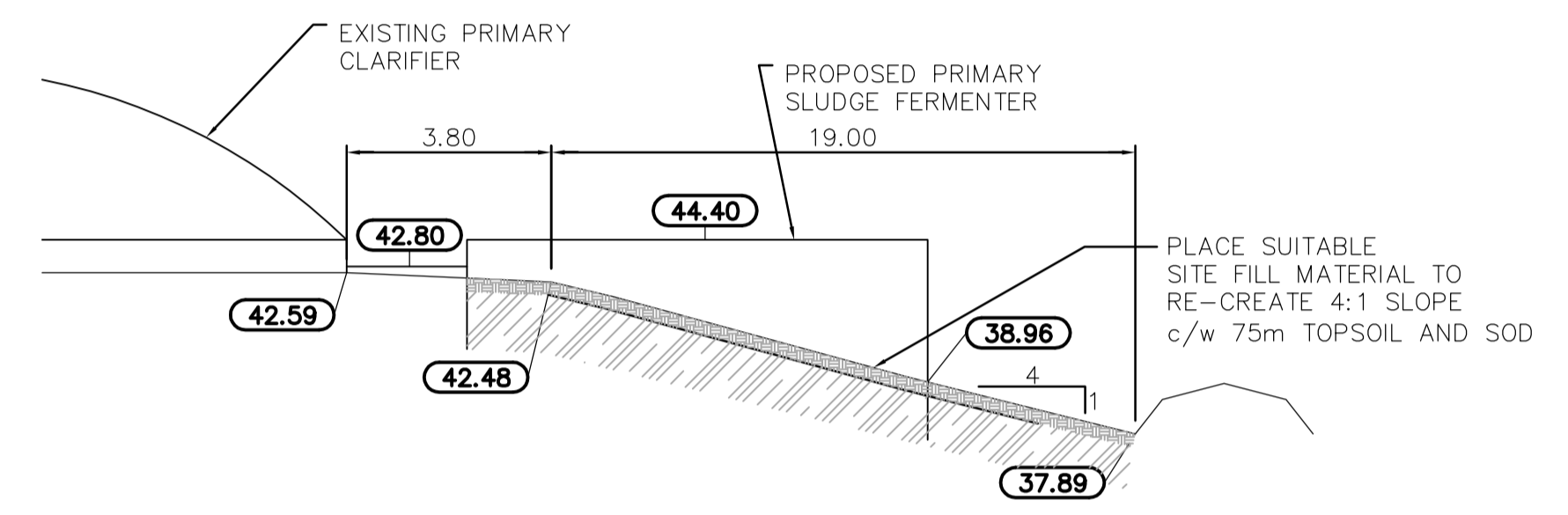


1 SECTION 1
LC1.01 SCALE 1:250

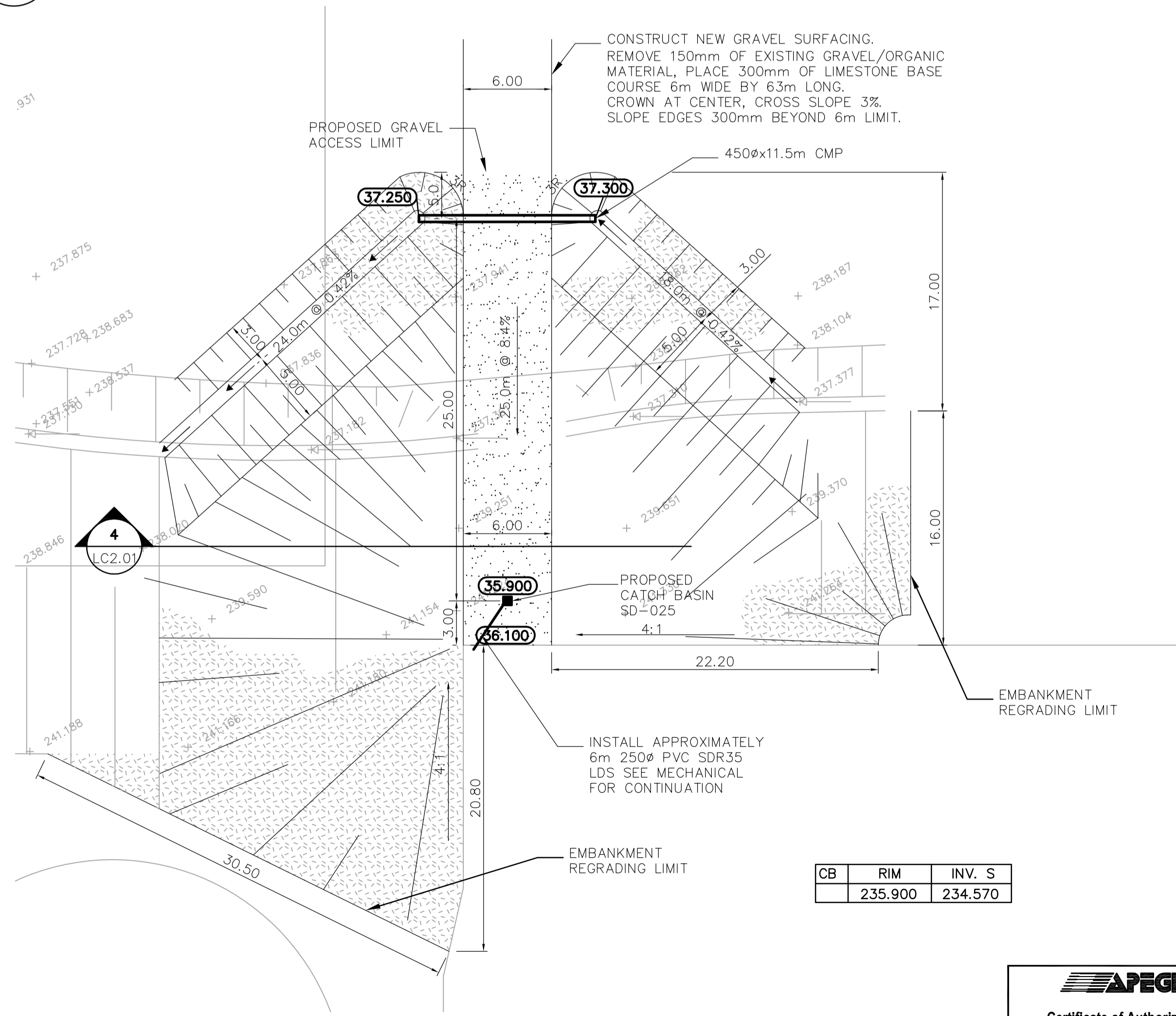
4 ROADWAY SECTION
LC2.01 SCALE N.T.S.

5 ROADWAY SECTION
LC2.01 SCALE N.T.S.

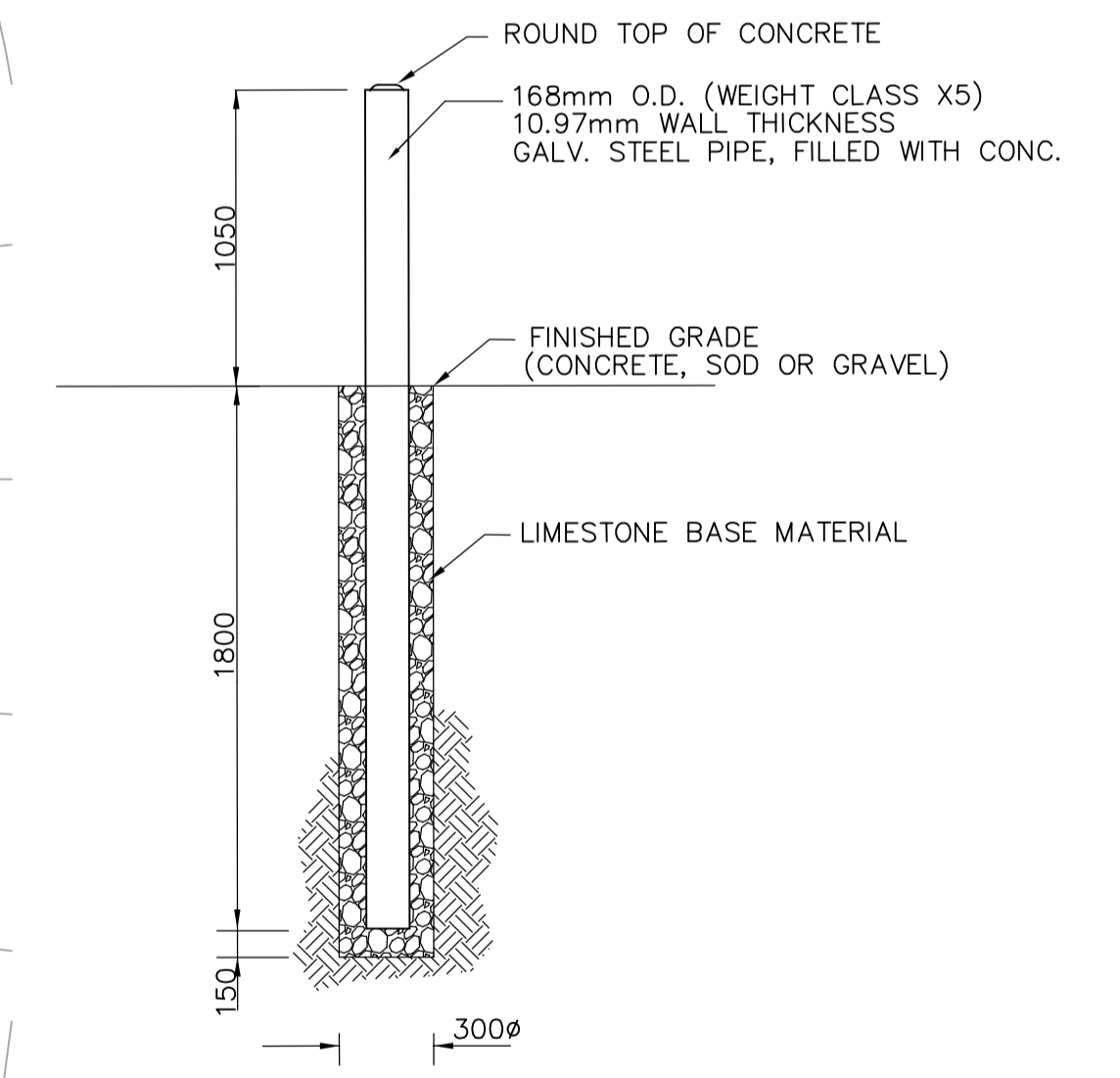


7 ROADWAY SECTION
LC2.01 SCALE N.T.S.

2 SECTION 2
LC1.01 SCALE 1:250



6 DAF BUILDING ACCESS APPROACHES
LC1.01 SCALE 1:250



8 STEEL BOLLARD DETAIL
LC2.01 SCALE N.T.S.

3 BIOREACTOR GRAVEL ACCESS
LC1.01 SCALE 1:250

CB	RIM	INV. S
	235.900	234.570

APECM
Certificate of Authorization
Earth Tech Canada Inc.
No. 730 Expiry: April 30, 2006

B.M. ELEV.	DATE	BY	DATE	BY
	01	21-2006 ADDENDUM 3	06/05/26	SRP
	00	ISSUED FOR TENDER	06/04/26	KWR
	NO.	REVISIONS	DATE	BY

EarthTech
A Tyco International Ltd. Company

DESIGNED BY	CHECKED BY
KWR	KWR
DRAWN BY	APPROVED BY
PAAP	JEH
HOR. SCALE:	RELEASED FOR CONSTRUCTION BY:
AS NOTED	J. VEILLEUX
VERTICAL SCALE:	DATE
	2005/06/27
	2006/04/26

THE CITY OF WINNIPEG
WATER AND WASTE DEPARTMENT
ENGINEERING DIVISION

WEWPC
BIOLOGICAL NUTRIENT REMOVAL UPGRADE
CONTRACT No. 3

CIVIL
AREA L - GENERAL AND SITE WORKS
SECTIONS AND DETAILS

CITY FILE NUMBER
SHEET OF
CITY DRAWING NUMBER