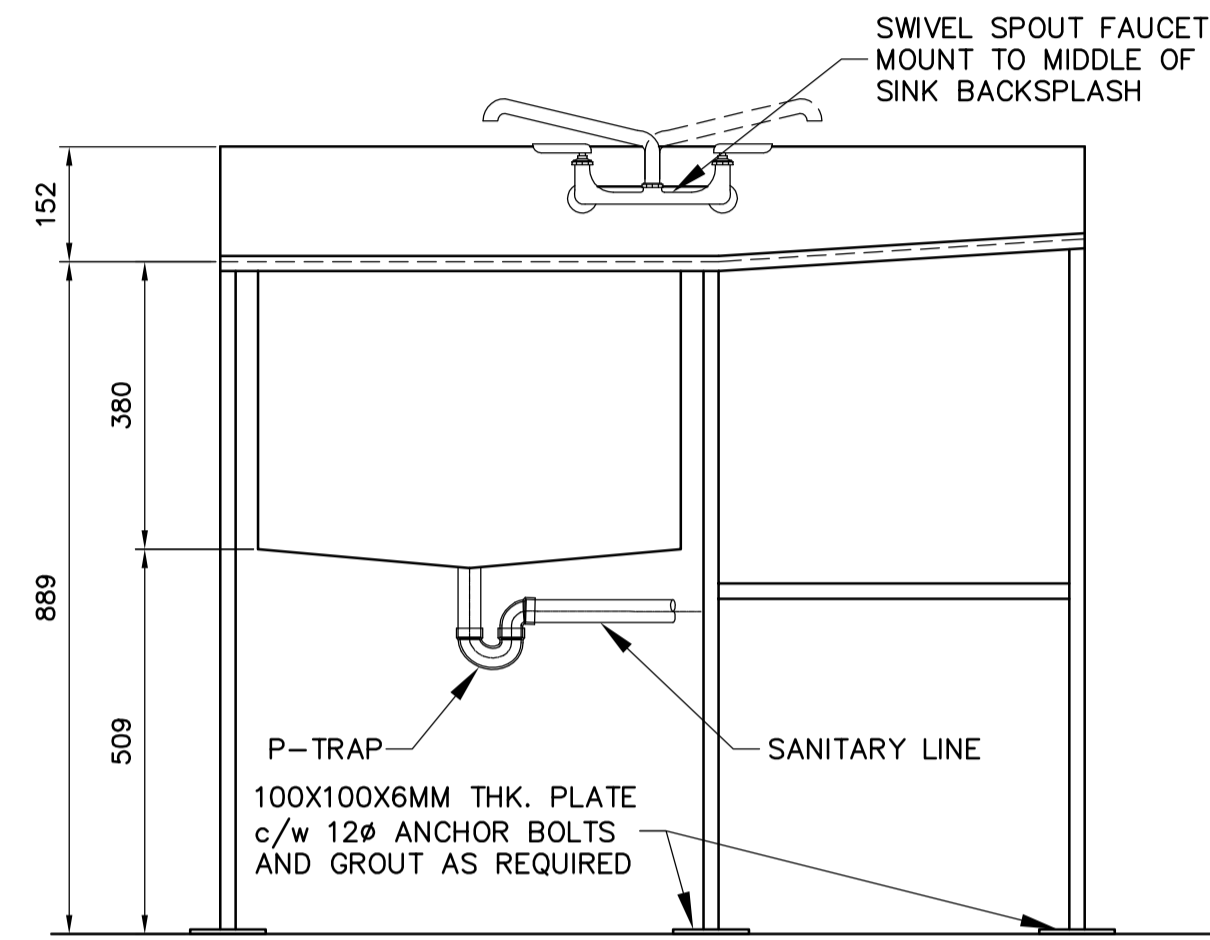
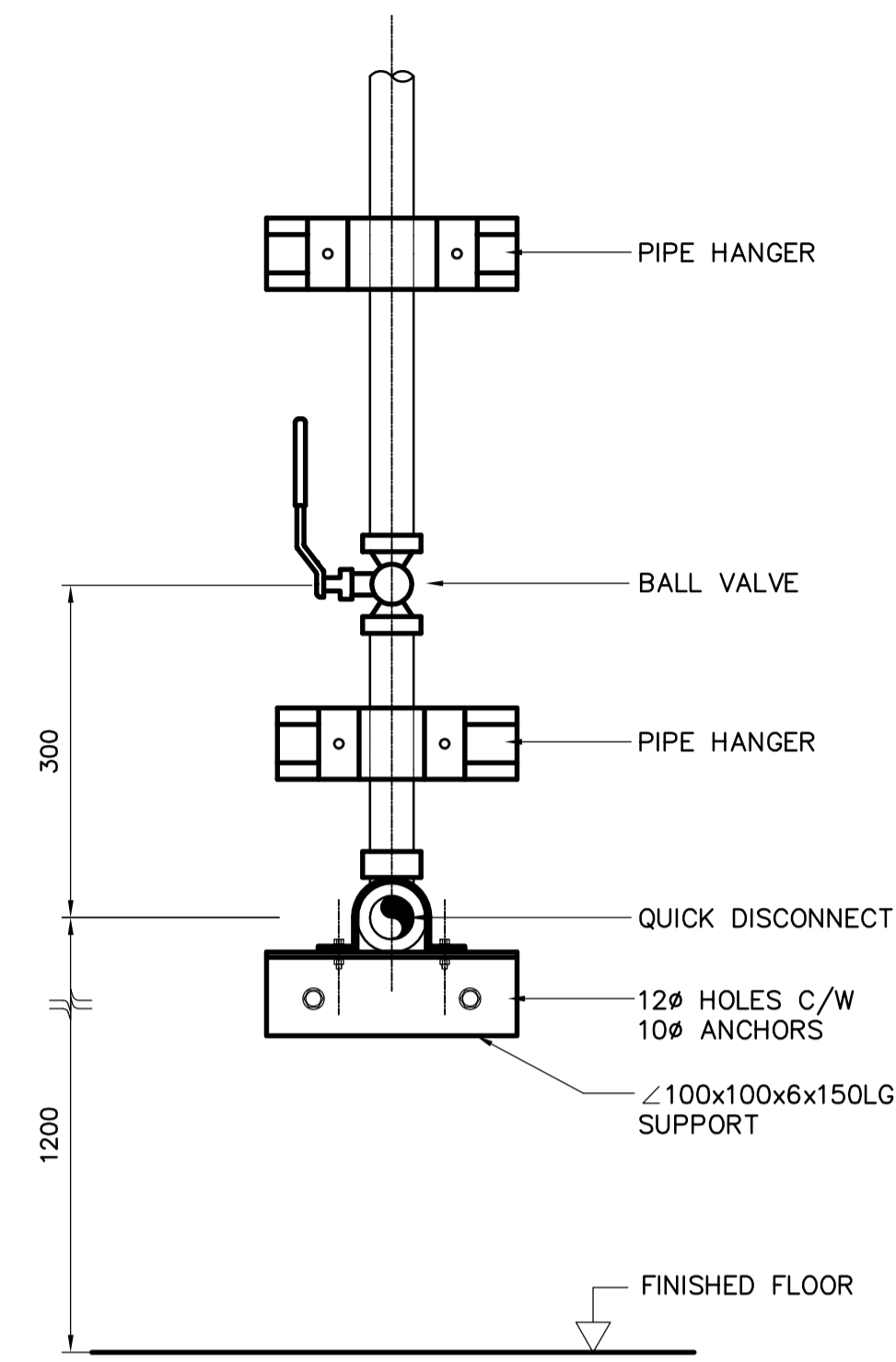


**PLAN**

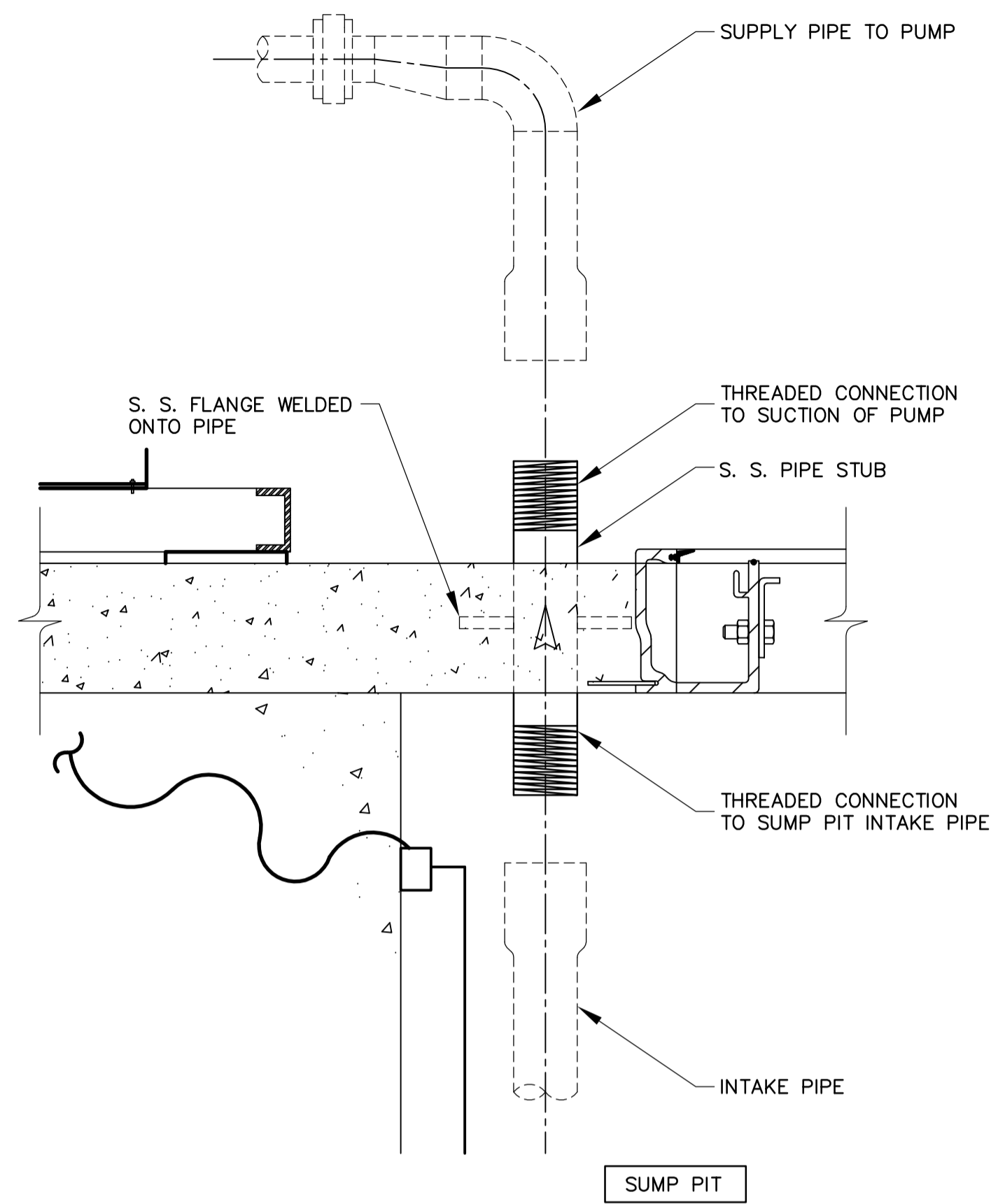


**ELEVATION**

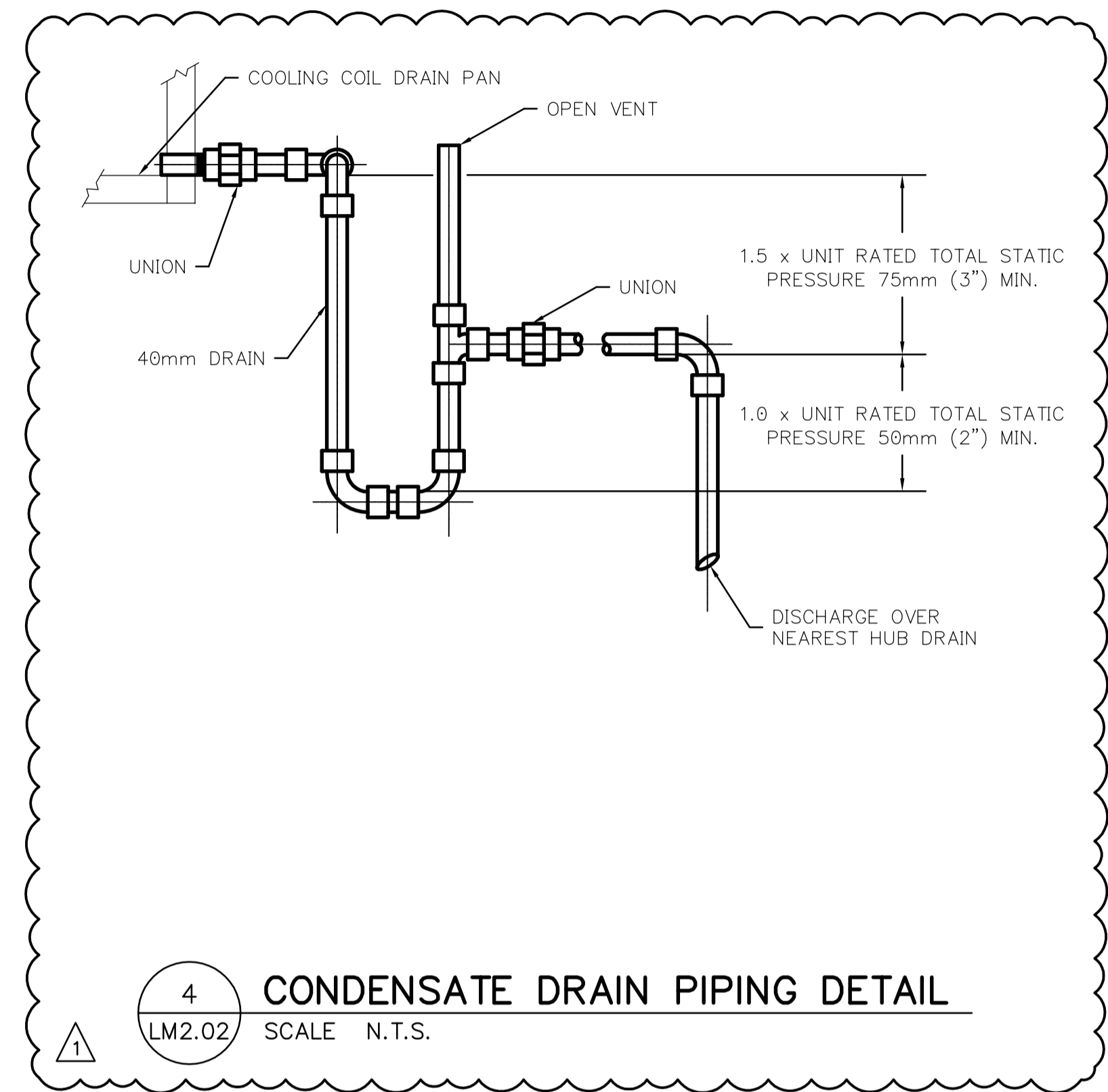
**1 STAINLESS STEEL SAMPLING SINK (SK-1)**  
LM2.02 SCALE N.T.S.



**2 SERVICE AIR CONNECTION**  
LM2.02 SCALE N.T.S.



**3 CAST IN PLACE PIPE STUB SECTION**  
LM2.02 SCALE N.T.S.



**4 CONDENSATE DRAIN PIPING DETAIL**  
LM2.02 SCALE N.T.S.



B.M. ELEV.	 A Tyco International Ltd. Company			ENGINEER'S SEAL		
				ORIGINAL SIGNED BY A. BURACHYNSKY		
	DESIGNED BY: DC	CHECKED BY: PVL	2006/04/26		THE CITY OF WINNIPEG WATER AND WASTE DEPARTMENT ENGINEERING DIVISION WEWPC BIOLOGICAL NUTRIENT REMOVAL UPGRADE CONTRACT 3	CITY FILE NUMBER
	DRAWN BY: DC	APPROVED BY: JEH	CONSULTANT DRAWING NO. LM2.02			SHEET OF
01 21-2006 ADDENDUM 3 06/05/19 LJW	HOR. SCALE: AS NOTED		RELEASED FOR CONSTRUCTION BY: J. VEILLEUX	MECHANICAL		CITY DRAWING NUMBER
00 ISSUED FOR TENDER 06/04/26 DC	DATE: 2005/12/12	DATE: 2006/04/26	AREA L - GENERAL AND SITEWORKS		PLUMBING STANDARD DETAILS	