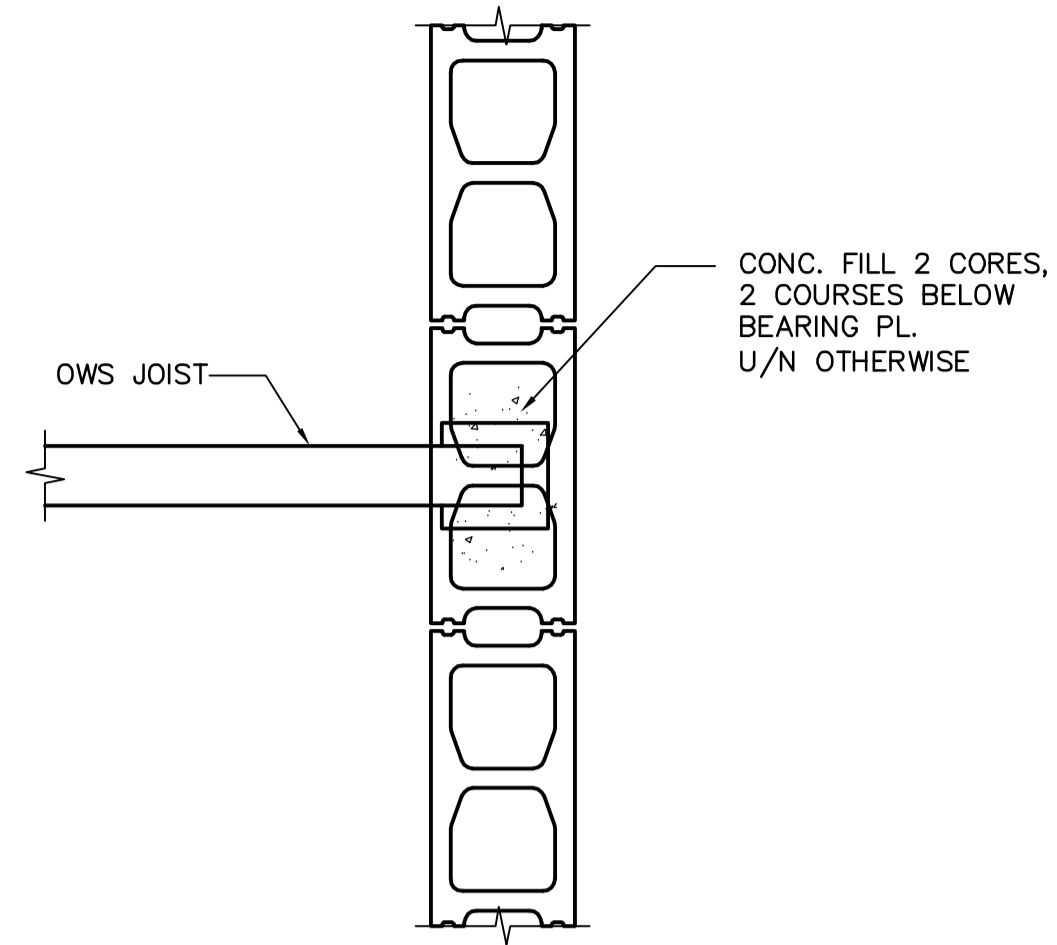
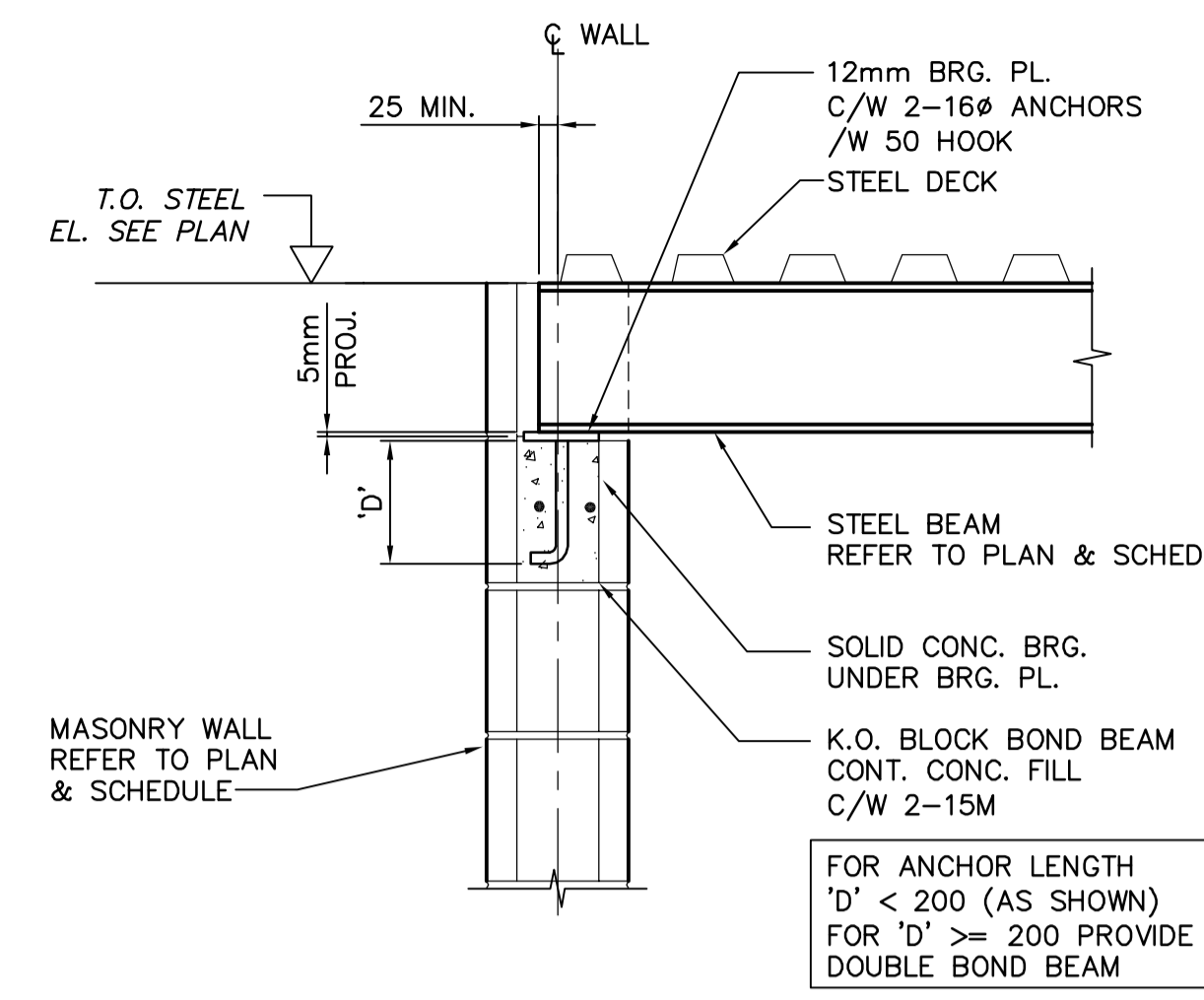


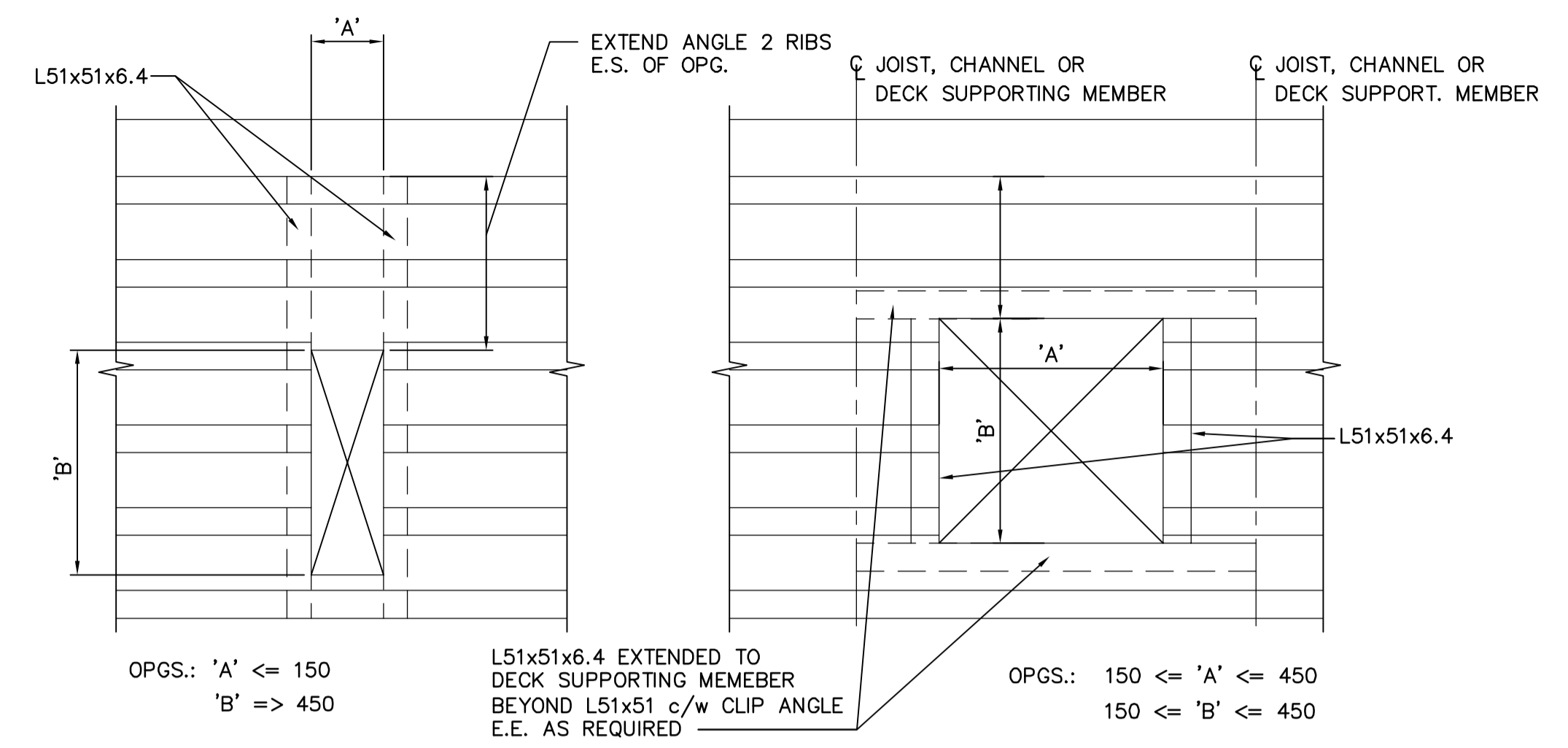
A OWSJ TO MASONRY WALL CONNECTION DETAIL
STD 1:10



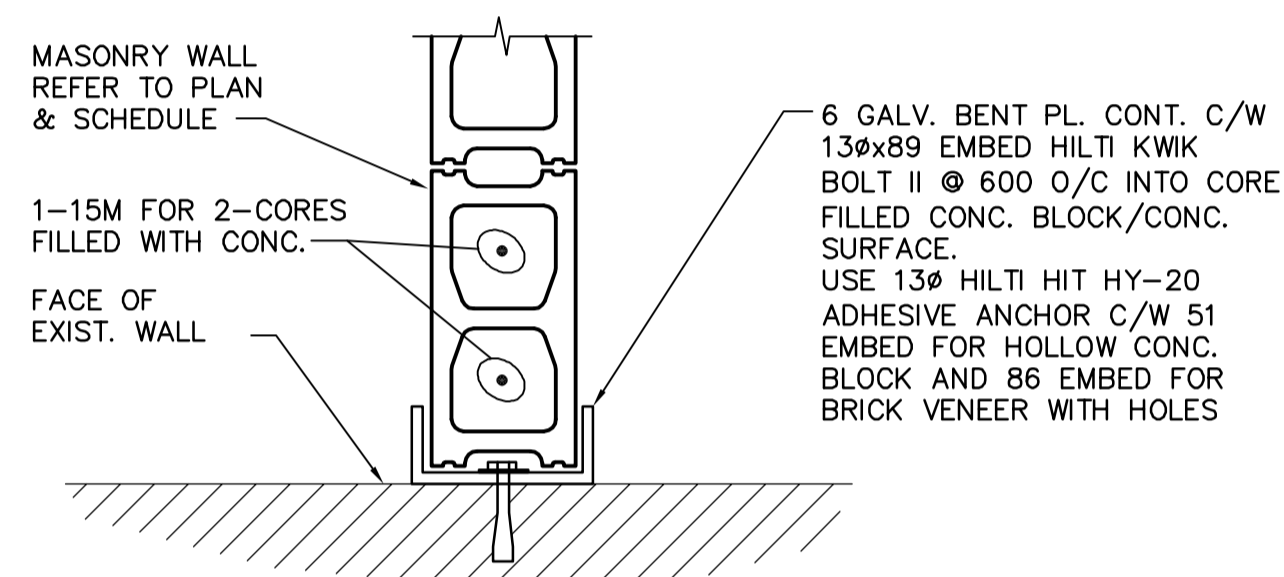
B TYPICAL MASONRY COREFILL DETAIL BELOW JOIST BEARING PLATE
STD 1:10



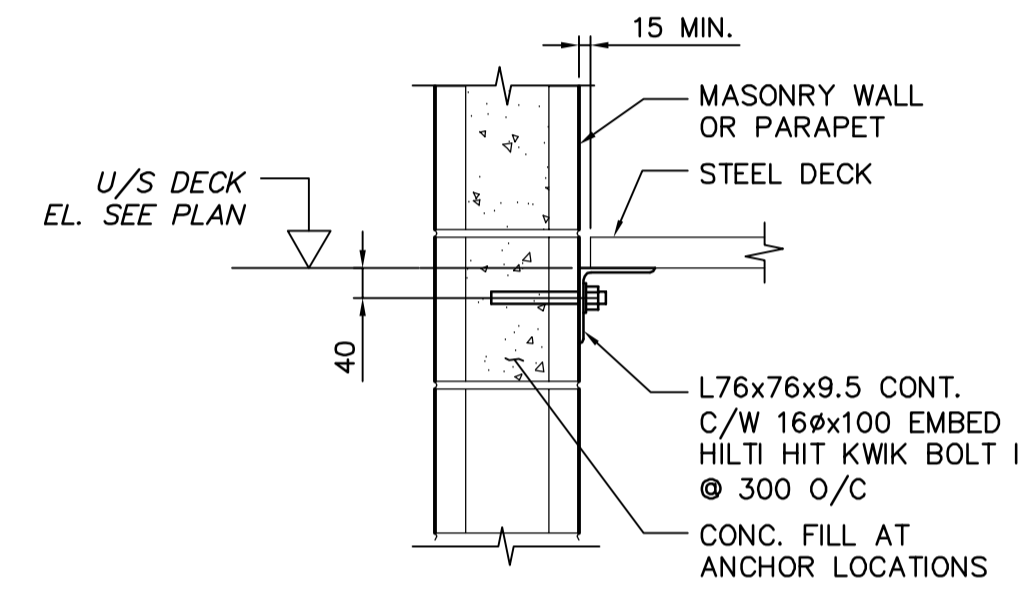
C STEEL BEAM BEARING ON MASONRY WALL (CONCRETE SIMILAR)
STD 1:10



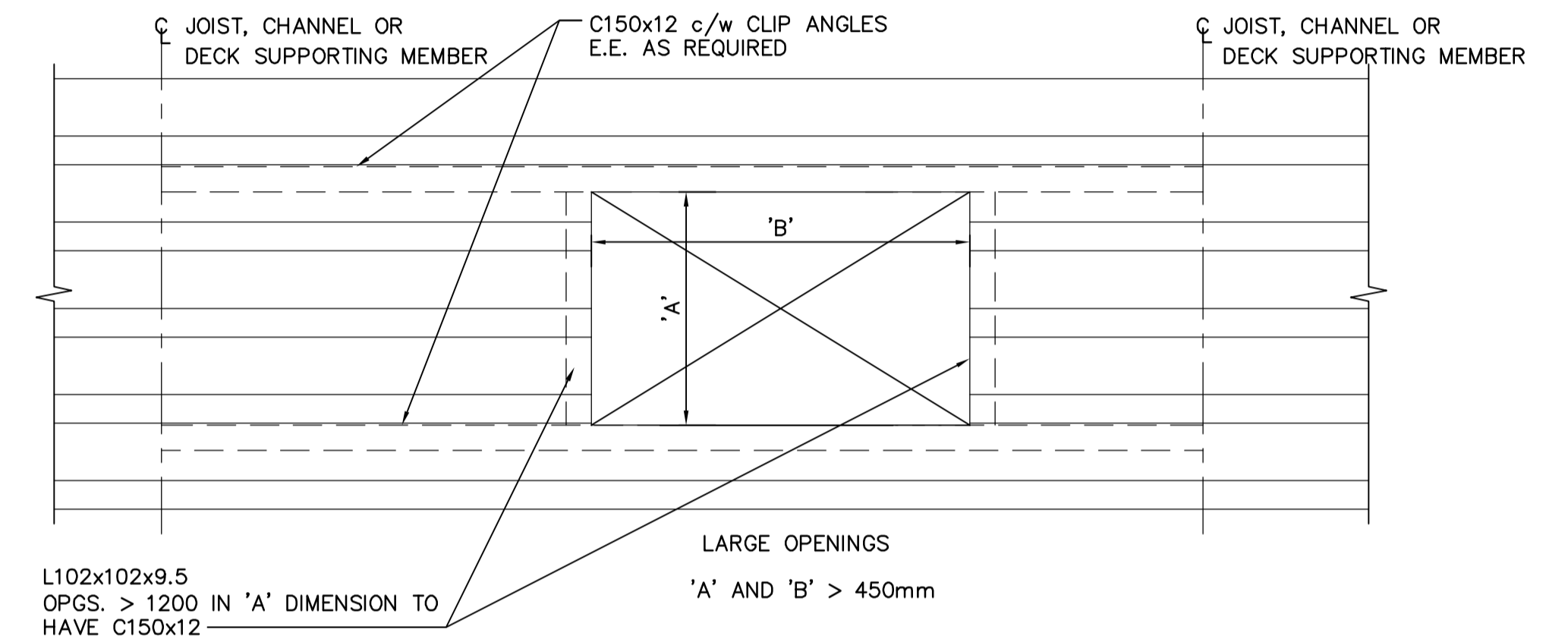
D TOP OF MASONRY WALL RESTRAINT
STD 1:10



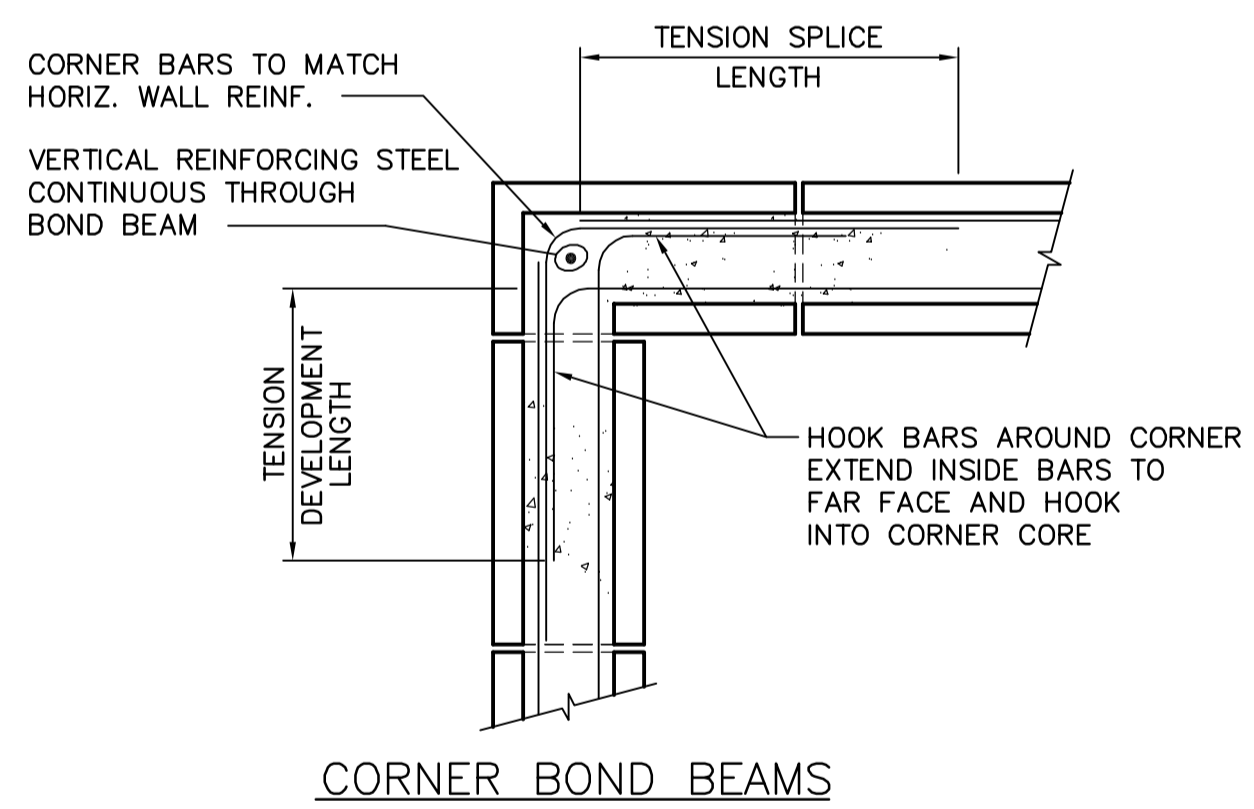
E TYPICAL MASONRY WALL RESTRAINT AT EXISTING WALL DETAIL
STD 1:10



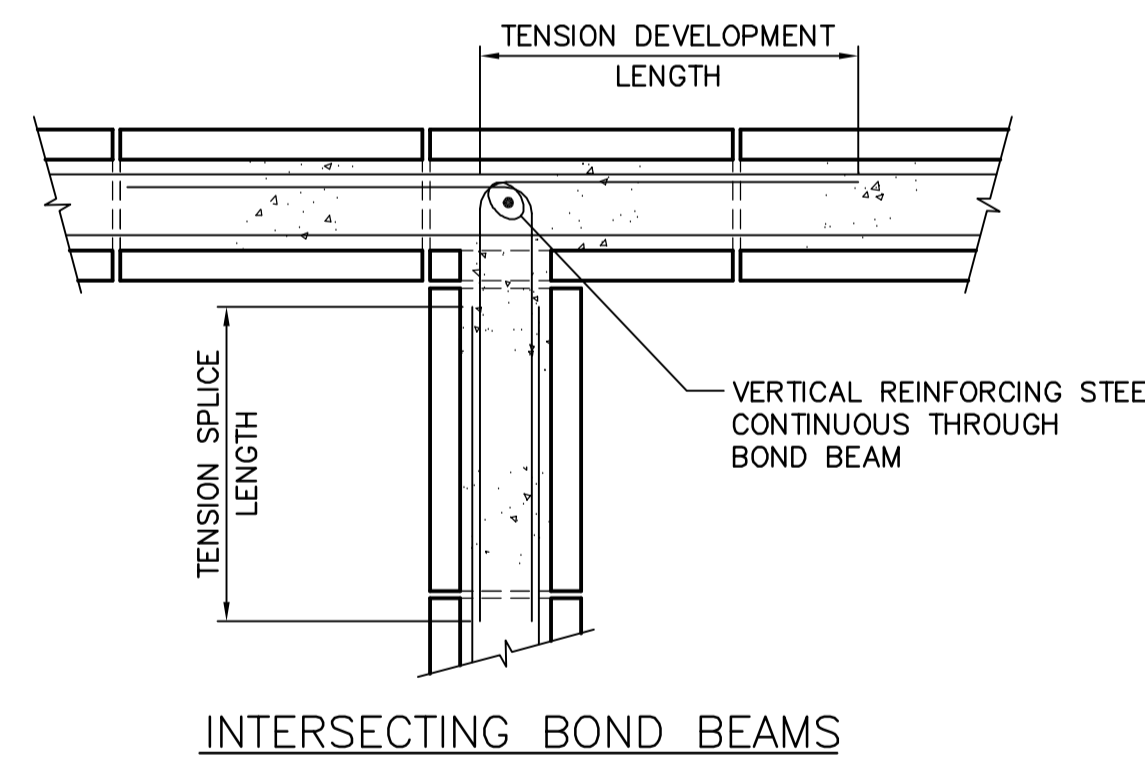
F TYPICAL STEEL ROOF DECK SUPPORT AT MASONRY WALL DETAIL
STD 1:10



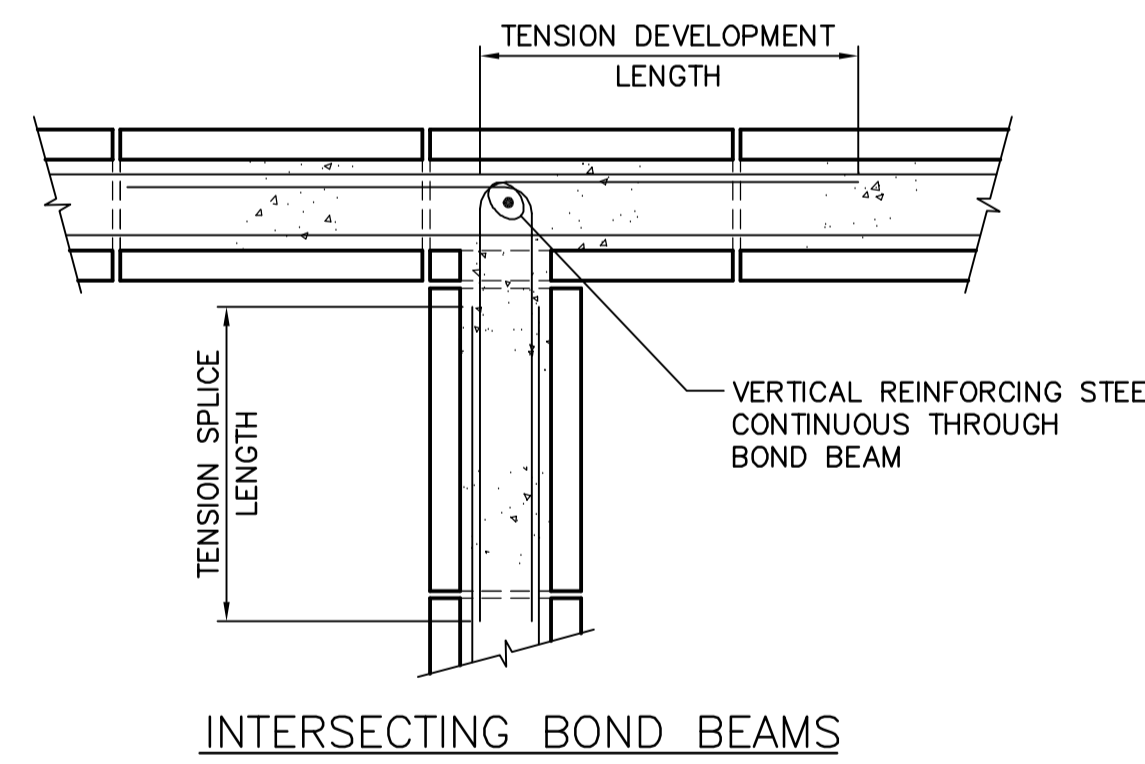
G TYPICAL FRAMING DETAILS FOR STEEL DECK OPENINGS
STD N.T.S.



H TYPICAL MASONRY WALL DETAILS
STD N.T.S.



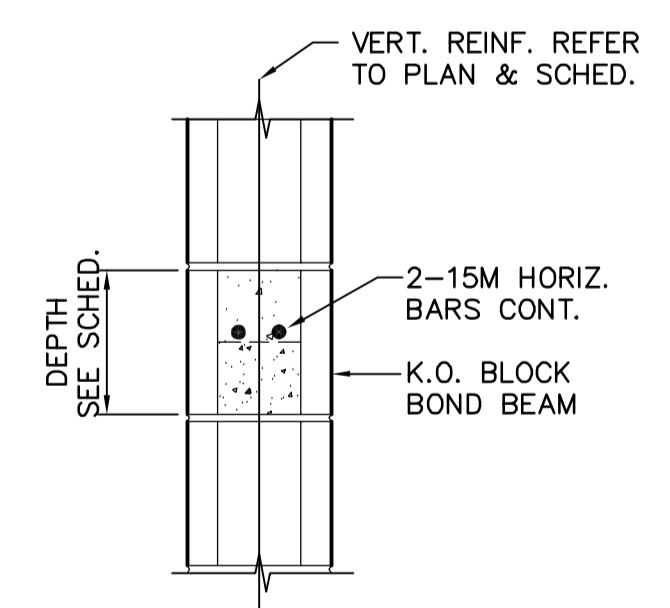
I CORNER BOND BEAMS



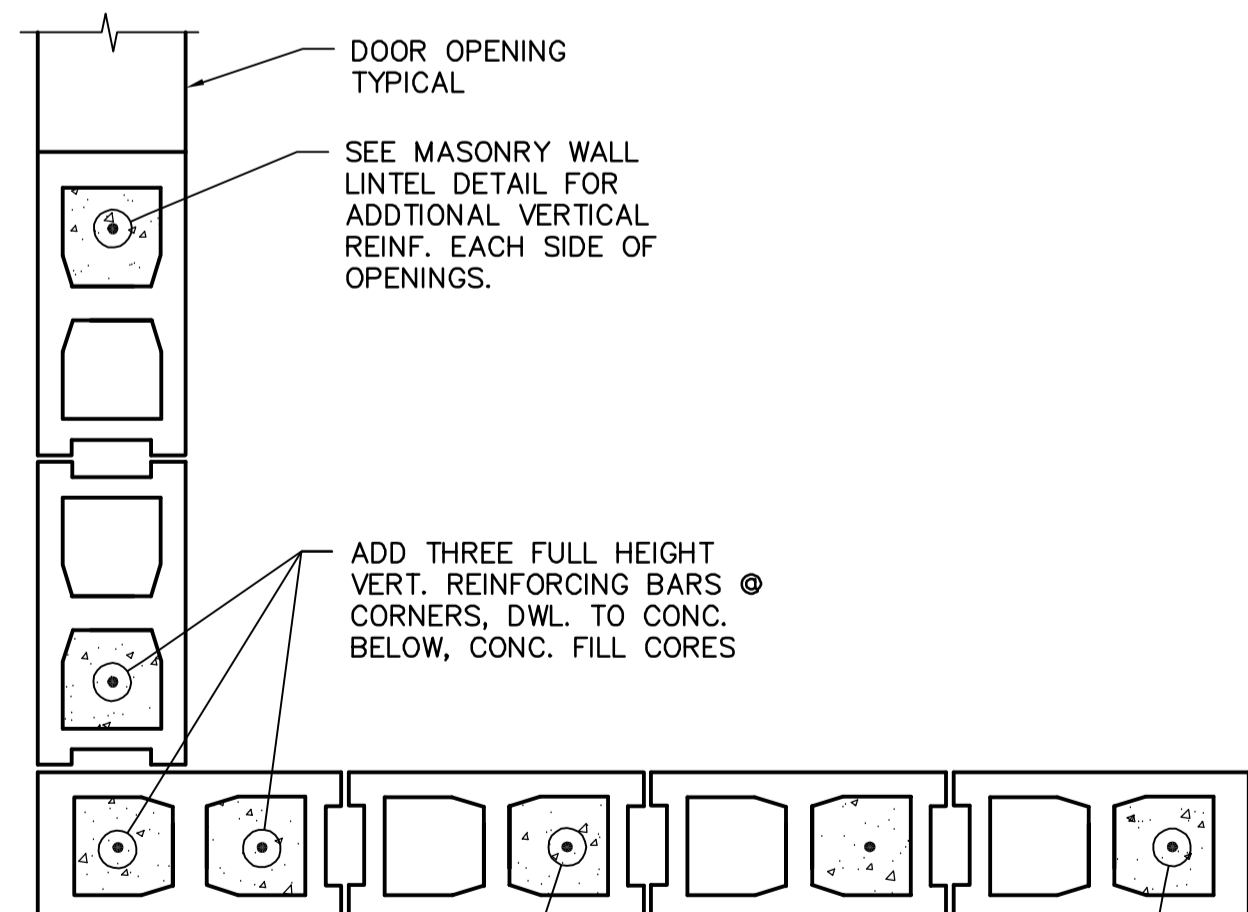
J INTERSECTING BOND BEAMS

J TYPICAL BOND BEAM DETAILS
STD N.T.S.

NOTES:
1. VERT. REINFORCING STEEL IN 190, 240 MASONRY WALL TO BE MIN. 15M.
2. VERT. REINFORCING IN 290 MASONRY WALL TO BE MIN. 20M.



K TYPICAL BOND BEAM DETAIL
STD 1:10



NOTES:
1. VERT. REINFORCING STEEL IN 190 & 240 MASONRY WALL TO BE MIN. 15M.
2. VERT. REINFORCING STEEL IN 290 MASONRY WALL TO BE MIN. 20M.

APEGM
Certificate of Authorization
Earth Tech Canada Inc.
No. 730 Expiry: April 30, 2006

B.M. ELEV.					
DESIGNED BY	ARA	CHECKED BY			
DRAWN BY	NDH	APPROVED BY	JEH		
HOR. SCALE:		RELEASED FOR CONSTRUCTION BY:	J. VEILLEUX		
VERTICAL SCALE:					
NO. REVISIONS		DATE	2006/04/26	DATE	2006/04/26
01	21-2006 ADDENDUM 3	06/05/19	NS		
A	ISSUED FOR TENDER	06/04/26	KK		

ENGINEER'S SEAL
ORIGINAL SIGNED BY
M. KLASSEN
2006/04/26

THE CITY OF WINNIPEG
WATER AND WASTE DEPARTMENT
ENGINEERING DIVISION
WEPCC
BIOLOGICAL NUTRIENT REMOVAL UPGRADE
CONTRACT 3
STRUCTURAL
AREA L - GENERAL AND SITEWORKS
STANDARD DETAILS
CITY FILE NUMBER
SHEET OF
CITY DRAWING NUMBER