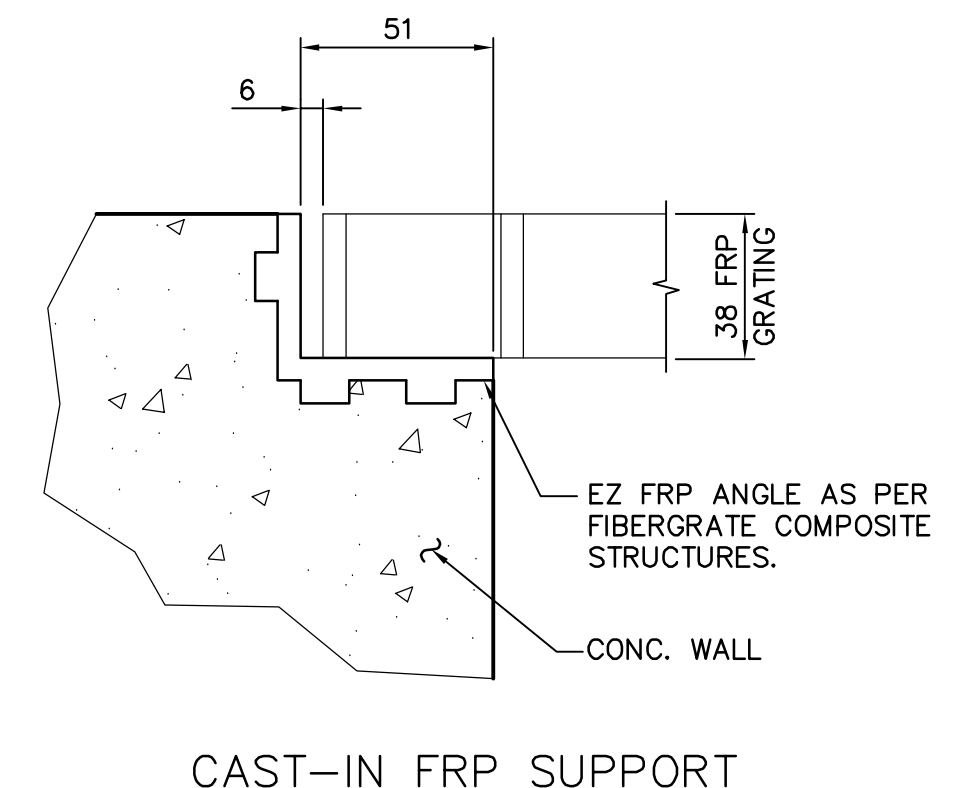
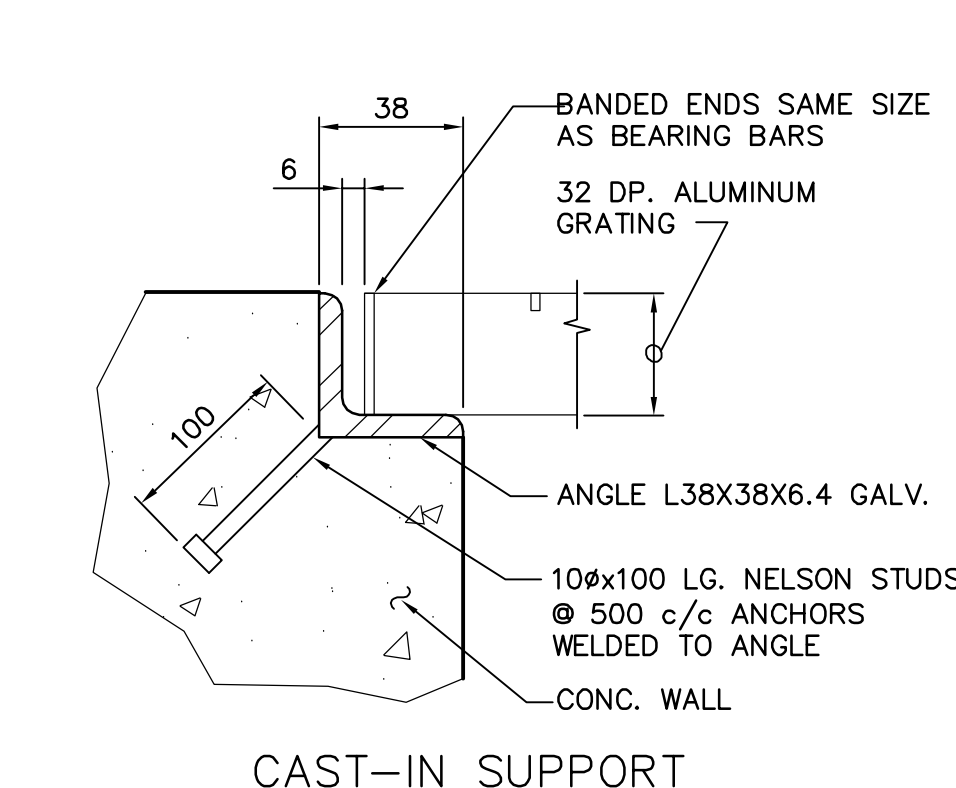
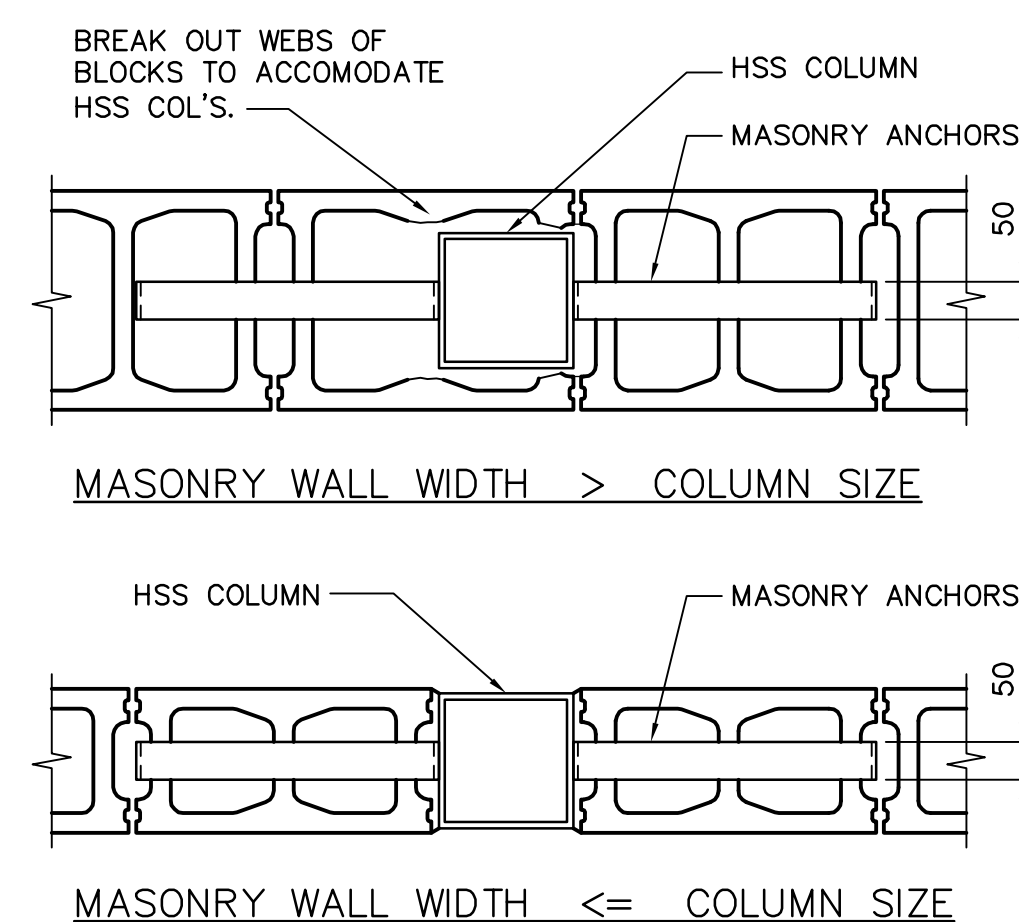
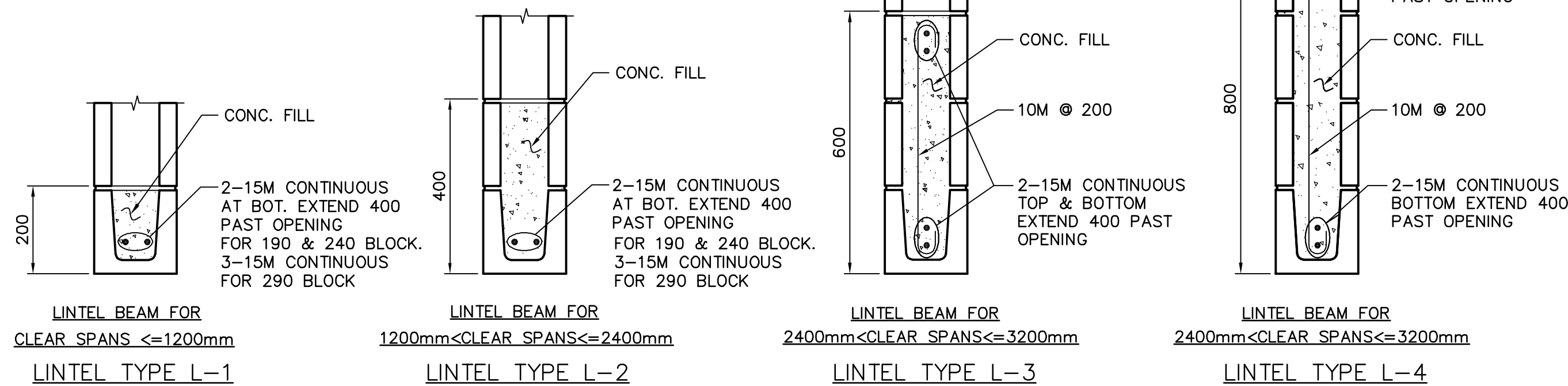


NOTE:  
K.O. TYPE BLOCKS MAY BE USED FOR LINTELS AT LOCATIONS WHERE UNDERSIDE OF BLOCK WILL NOT BE VISIBLE.



NOTES:

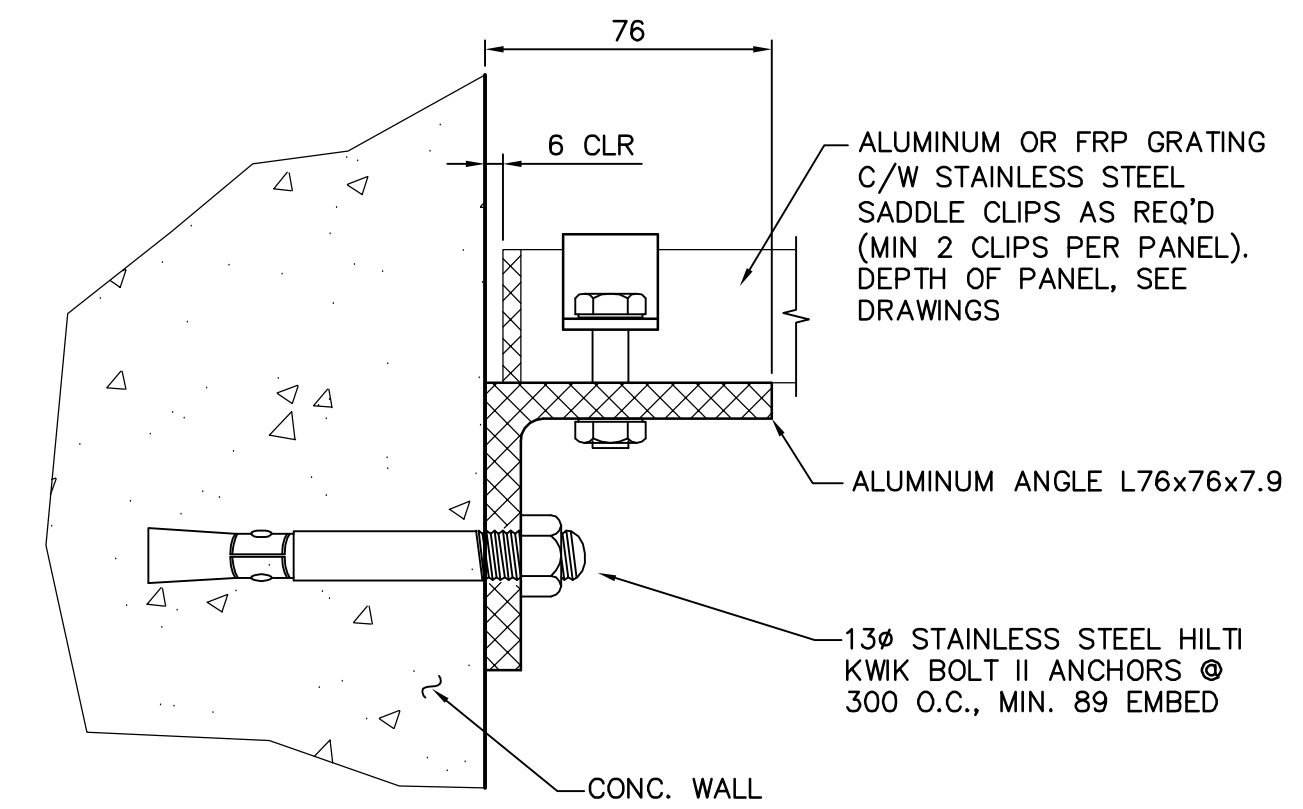
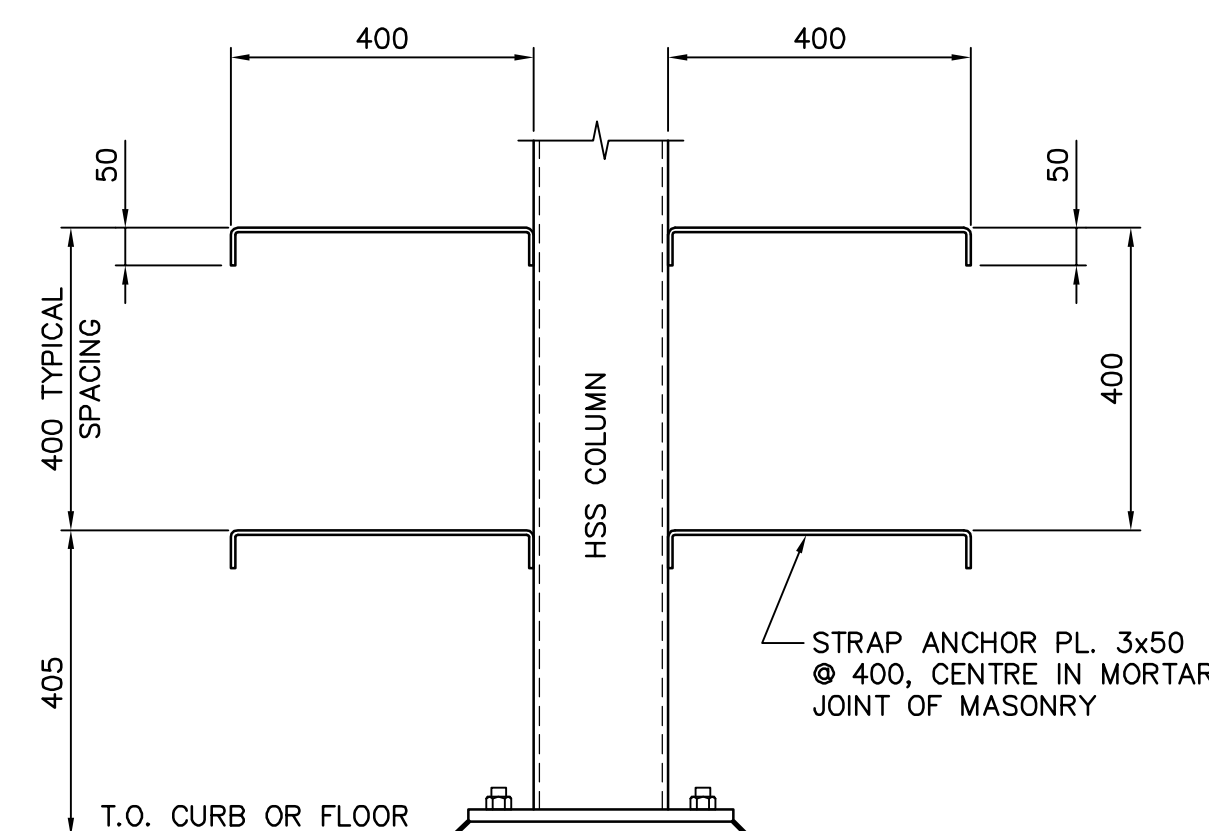
1. GRATING DESIGN FOR LIVE LOAD SEE PLANS AND STRUCTURAL NOTES
2. ALL PARTS SHALL BE GALVANIZED STEEL UNLESS NOTED OTHERWISE

NOTES:

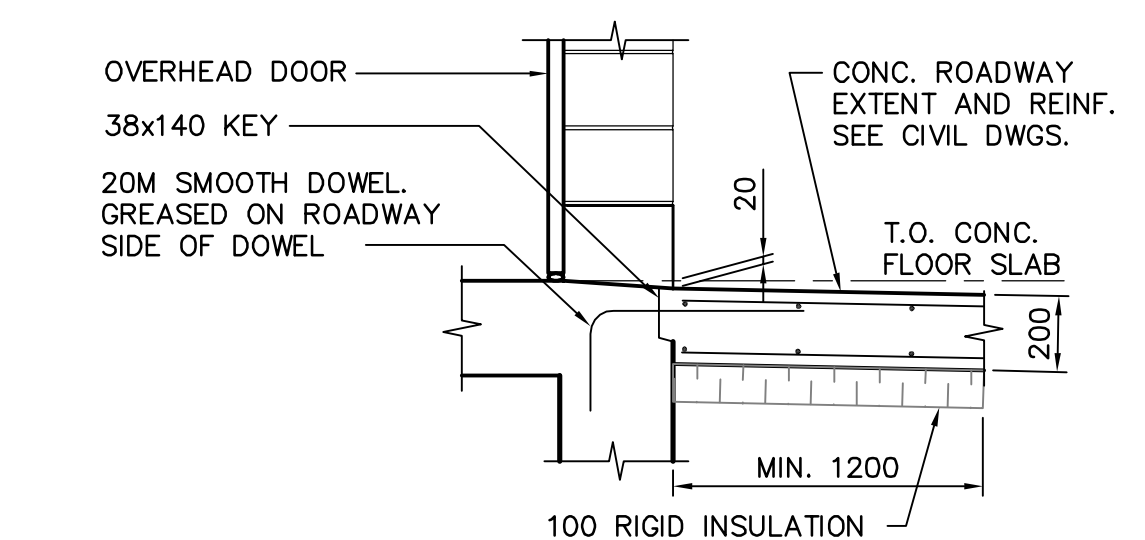
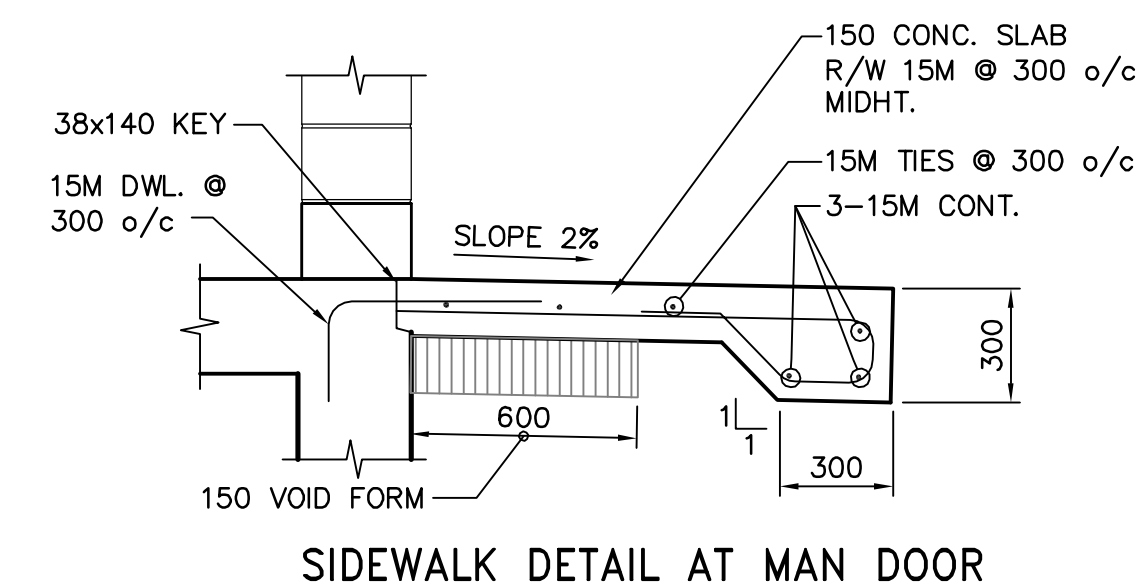
1. GRATING DESIGN FOR LIVE LOAD SEE PLANS AND STRUCTURAL NOTES
2. ALL PARTS SHALL BE FRP UNLESS NOTED OTHERWISE

**ALUMINUM GRATING WITH EMBEDDED SUPPORT FRAME**  
E STD 1:2

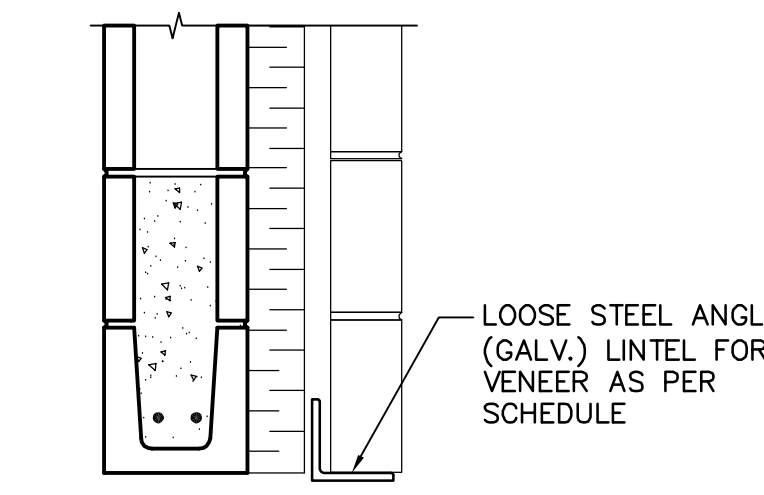
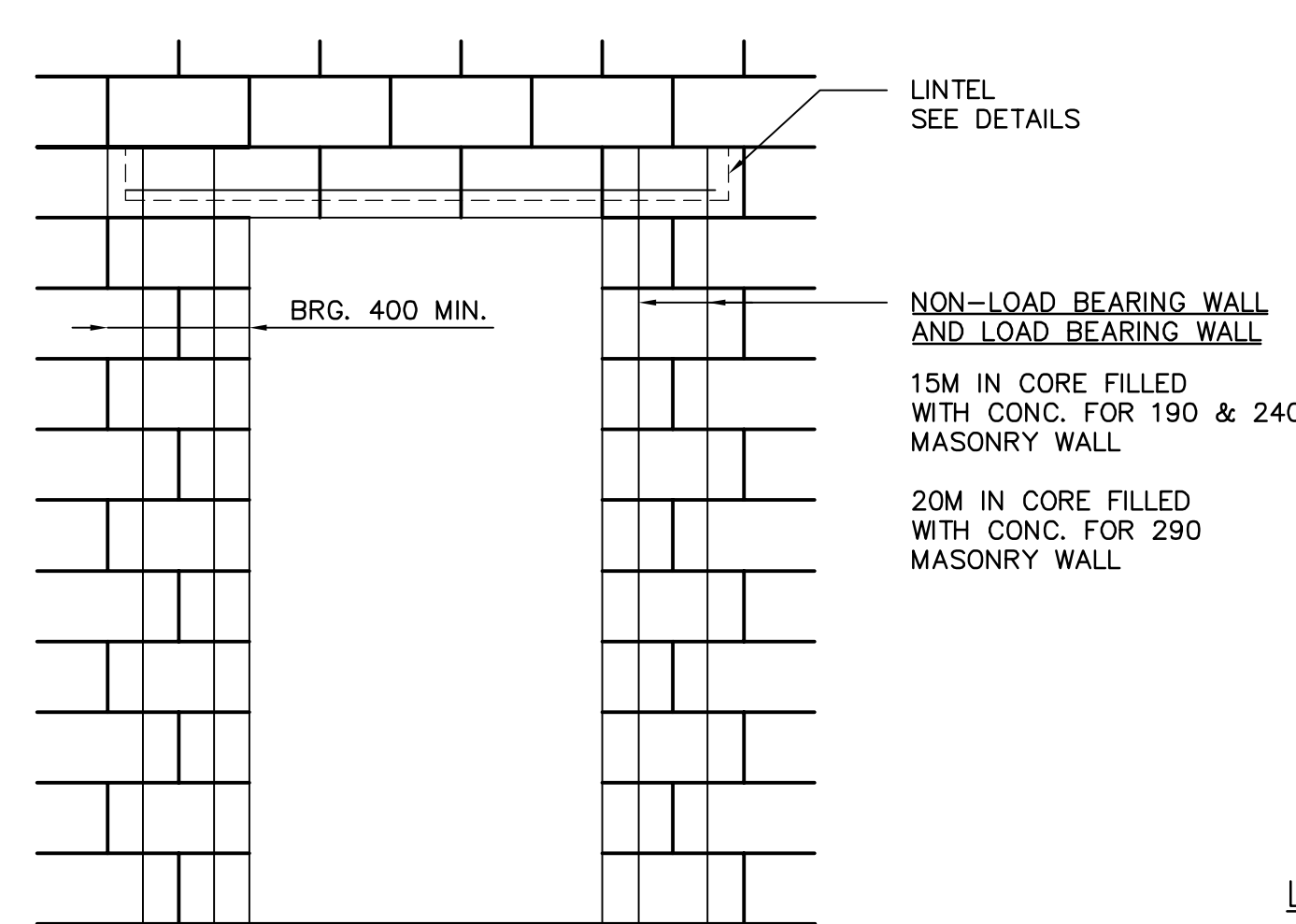
**FRP GRATING WITH EMBEDDED SUPPORT FRAME**  
F STD 1:2



**ALUMINUM GRATING WITH BOLTED SUPPORT FRAME**  
G STD 1:2



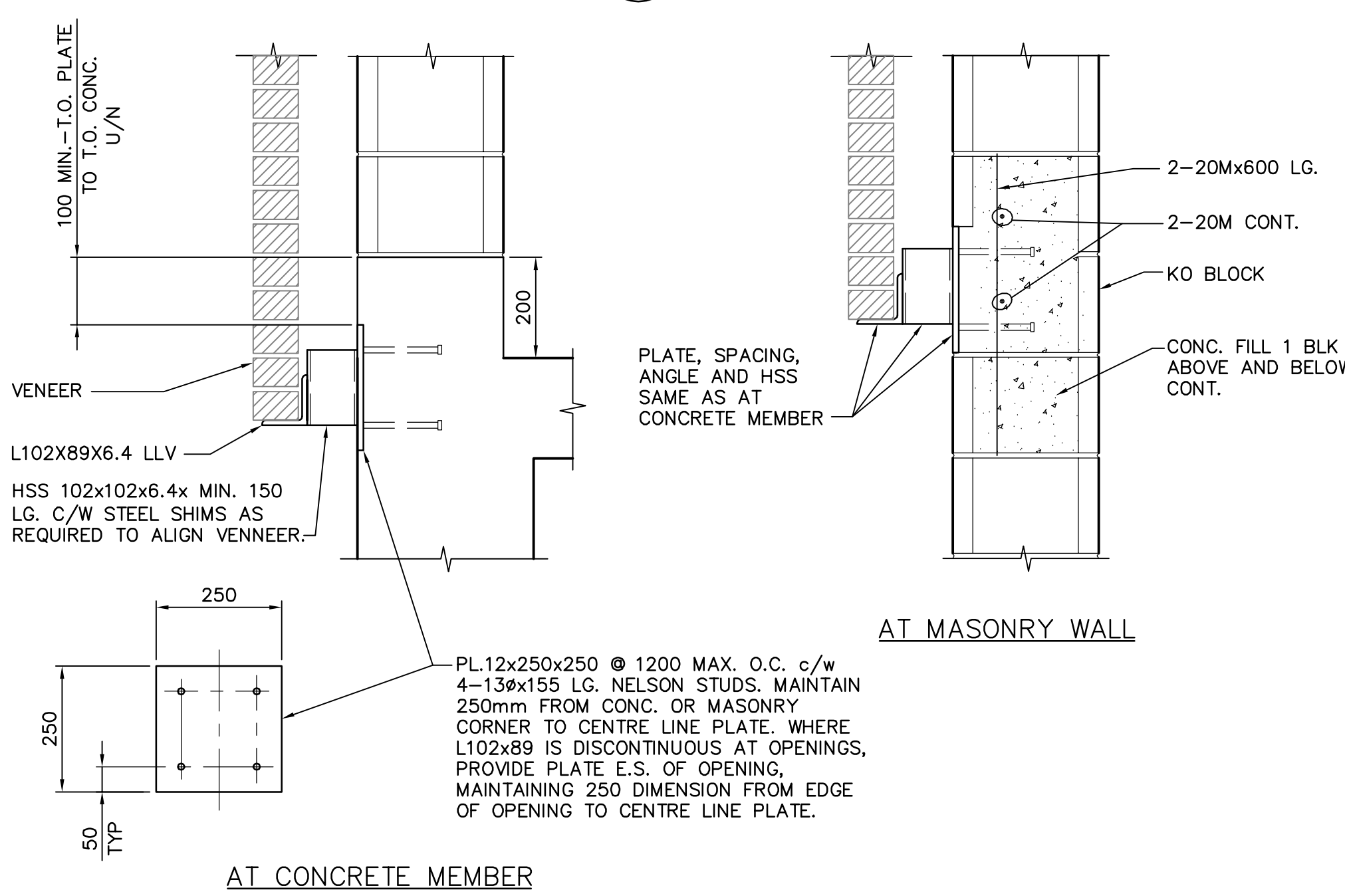
**TYPICAL EXTERIOR SIDEWALK AND APRON DETAILS**  
D STD 1:20



OPENING	SUPPORT ANGLE
UP TO 1200	L 102x89x9.5
1200 TO 2000	L 127x89x9.5 (LLV)
OVER 2000	AS PER DETAILS

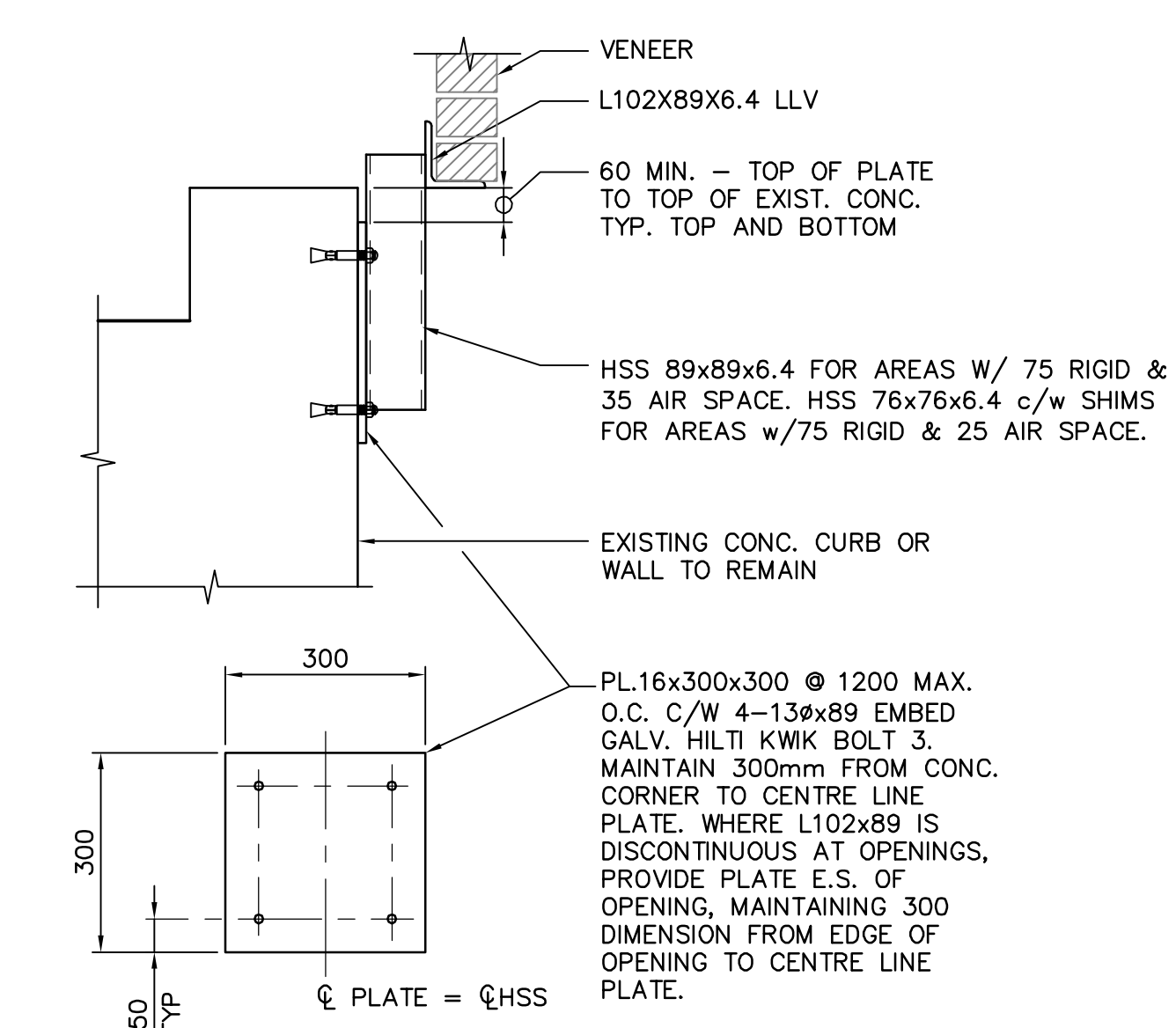
**LINTEL SUPPORT FOR EXTERIOR VENEER**

**MASONRY LINTEL DETAILS**  
A STD N.T.S.



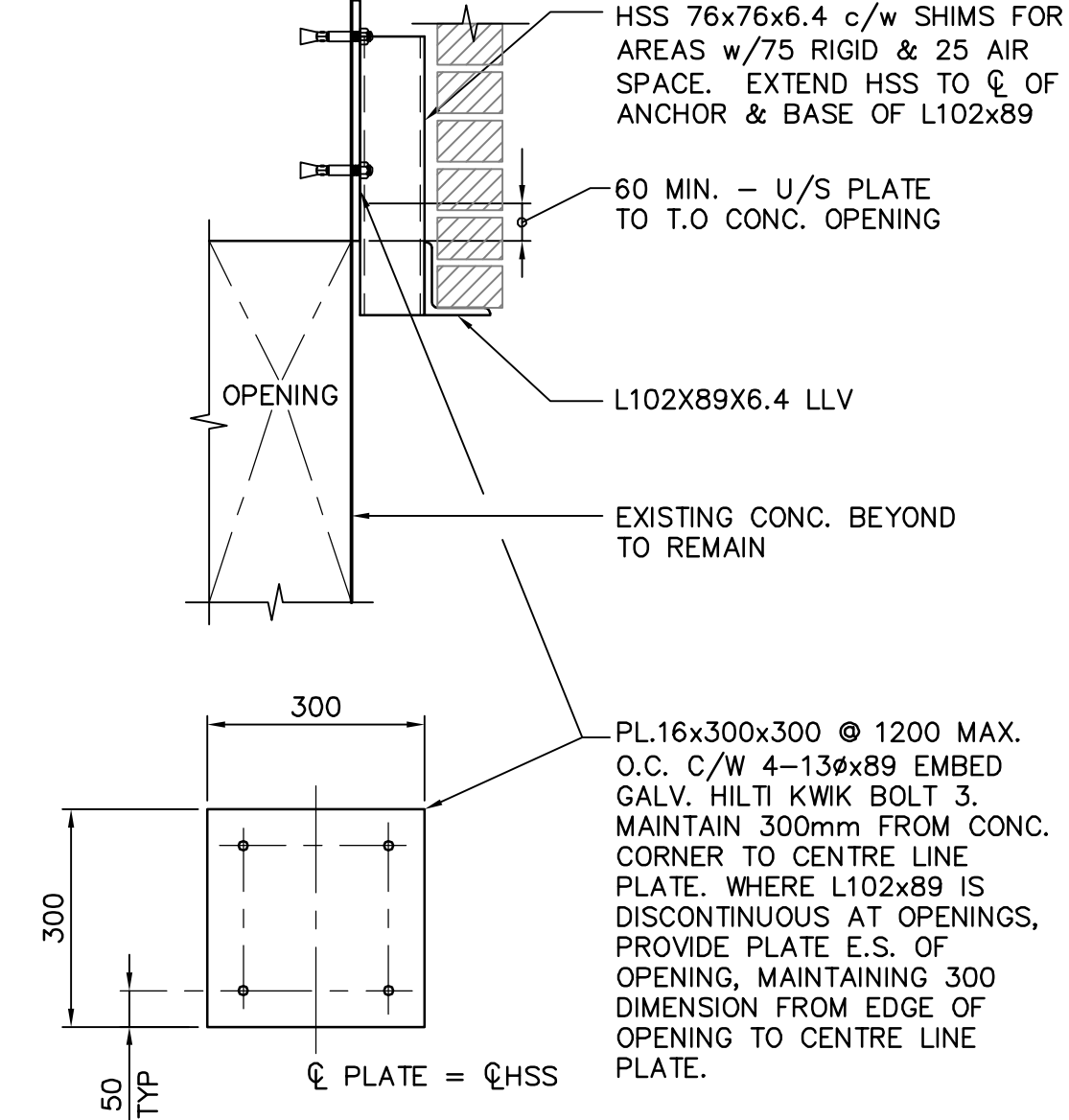
**TYPICAL EXTERIOR VENEER SUPPORT DETAILS AT CONCRETE STRUCTURES**  
C STD N.T.S.

NOTE:  
1. ALL STEEL TO BE GALVANIZED.



**TYPICAL EXTERIOR VENEER SUPPORT AT EXISTING CONC. STRUCTURE**  
H STD N.T.S.

NOTE:  
1. ALL STEEL TO BE GALVANIZED.



**TYPICAL EXTERIOR VENEER SUPPORT AT EXISTING CONCRETE STRUCTURE NORTH & WEST SIDES OF BIOREACTOR**  
I STD N.T.S.

NOTE:  
1. ALL STEEL TO BE GALVANIZED.

B.M. ELEV.	DESIGNED BY	CHECKED BY	DATE
	ARA	JEH	2006/04/26
	NDH	JEH	2006/04/26
01	21-2006 ADDENDUM 3	06/05/19	NS
00	ISSUED FOR TENDER	06/04/26	KK
NO. REVISIONS		DATE	BY
		2006/04/26	J. VEILLEUX

**APECM**  
Certificate of Authorization  
Earth Tech Canada Inc.  
No. 730 Expiry: April 30, 2006

**EarthTech**  
A Tyco International Ltd. Company

ENGINEER'S SEAL  
ORIGINAL SIGNED BY  
M. KLASSEN  
2006/04/26  
CONSULTANT DRAWING NO.  
LS1.05

**THE CITY OF WINNIPEG**  
Winnipeg WATER AND WASTE DEPARTMENT  
ENGINEERING DIVISION

**WEWPCC**  
BIOLOGICAL NUTRIENT REMOVAL UPGRADE  
CONTRACT 3

STRUCTURAL  
AREA L - GENERAL AND SITWORKS  
STANDARD DETAILS

CITY FILE NUMBER  
SHEET OF  
CITY DRAWING NUMBER