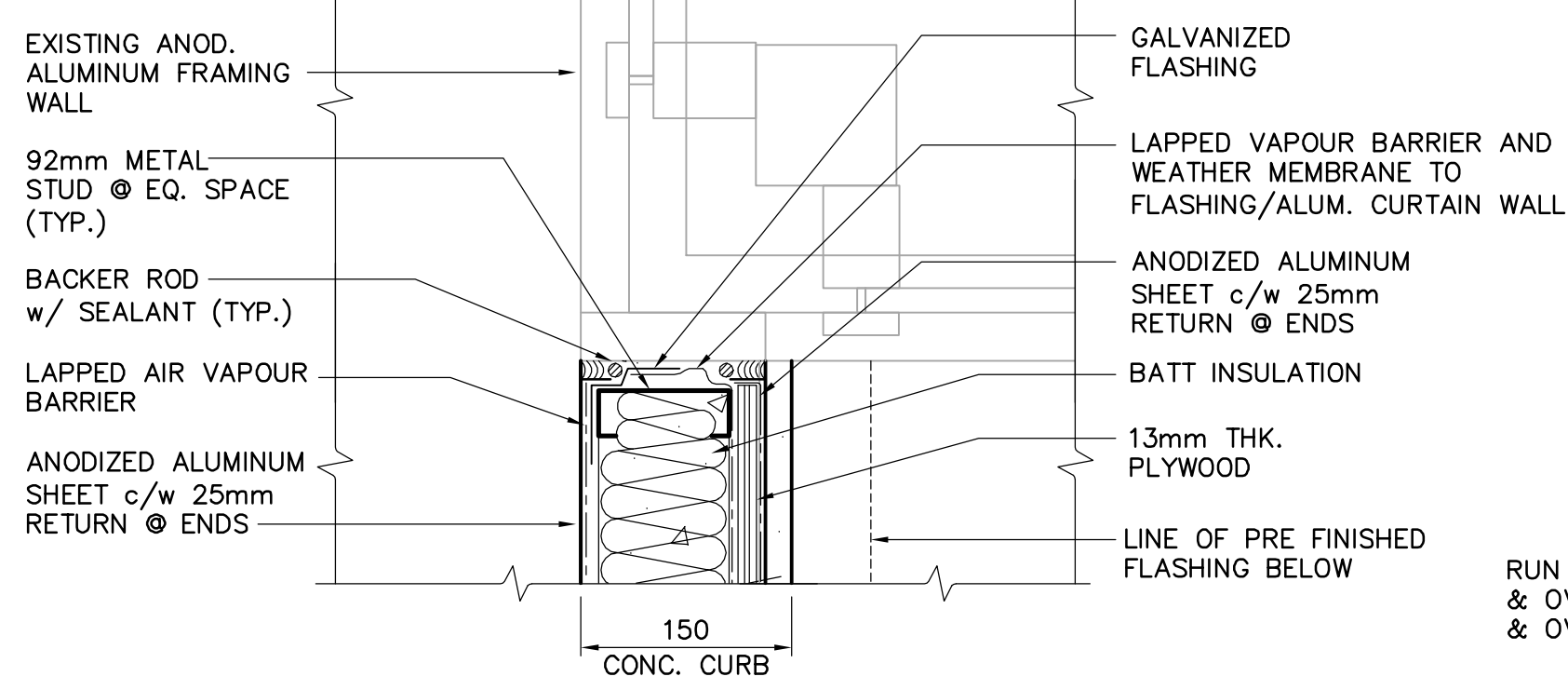


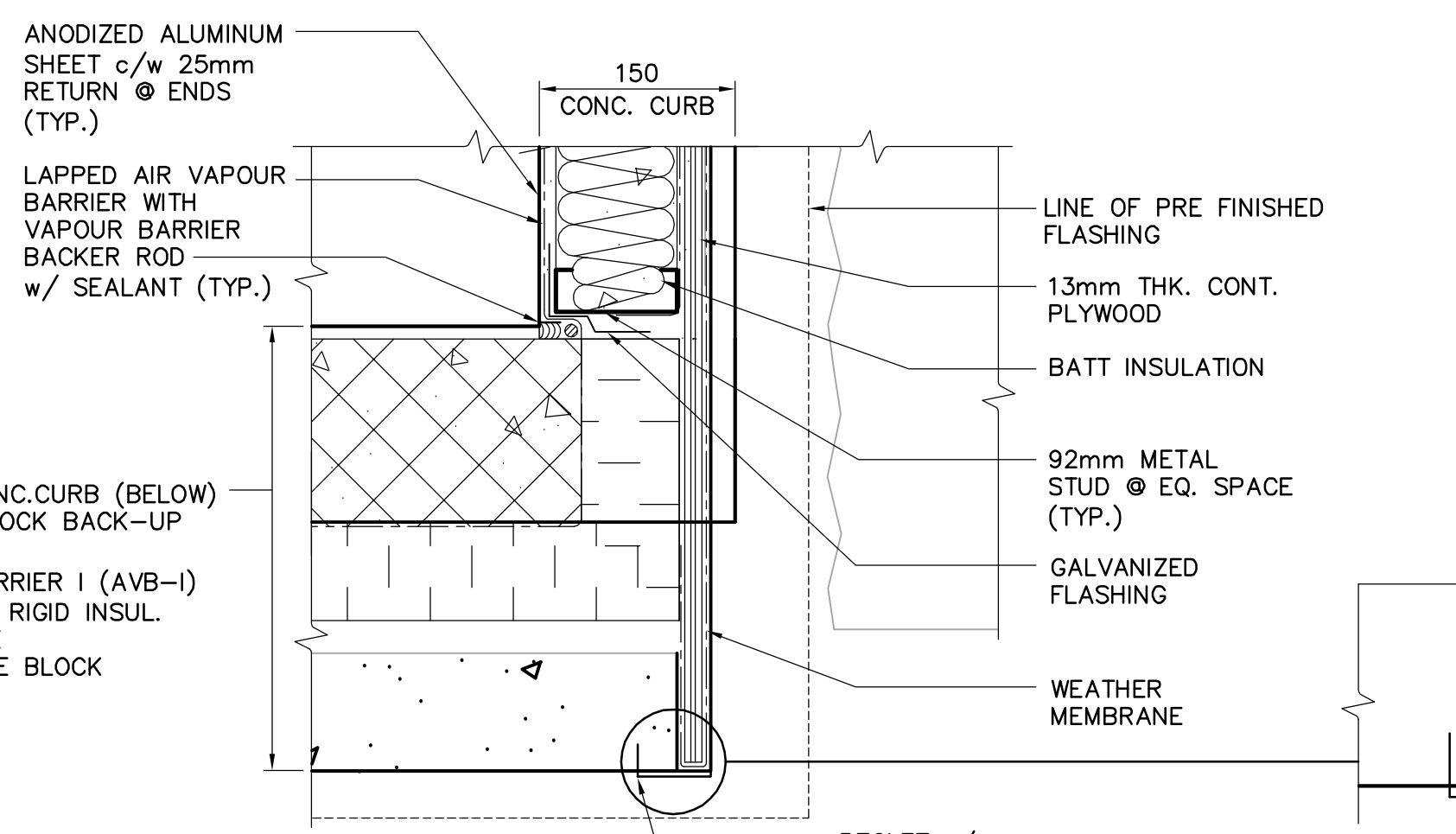
**1 DETAIL AT CORNER**  
SA6.02 SCALE 1:25

DRAWING NOTES:  
1. DIMENSIONS NOTED ARE APPROX. FOLLOWING EXISTING STRUCTURE

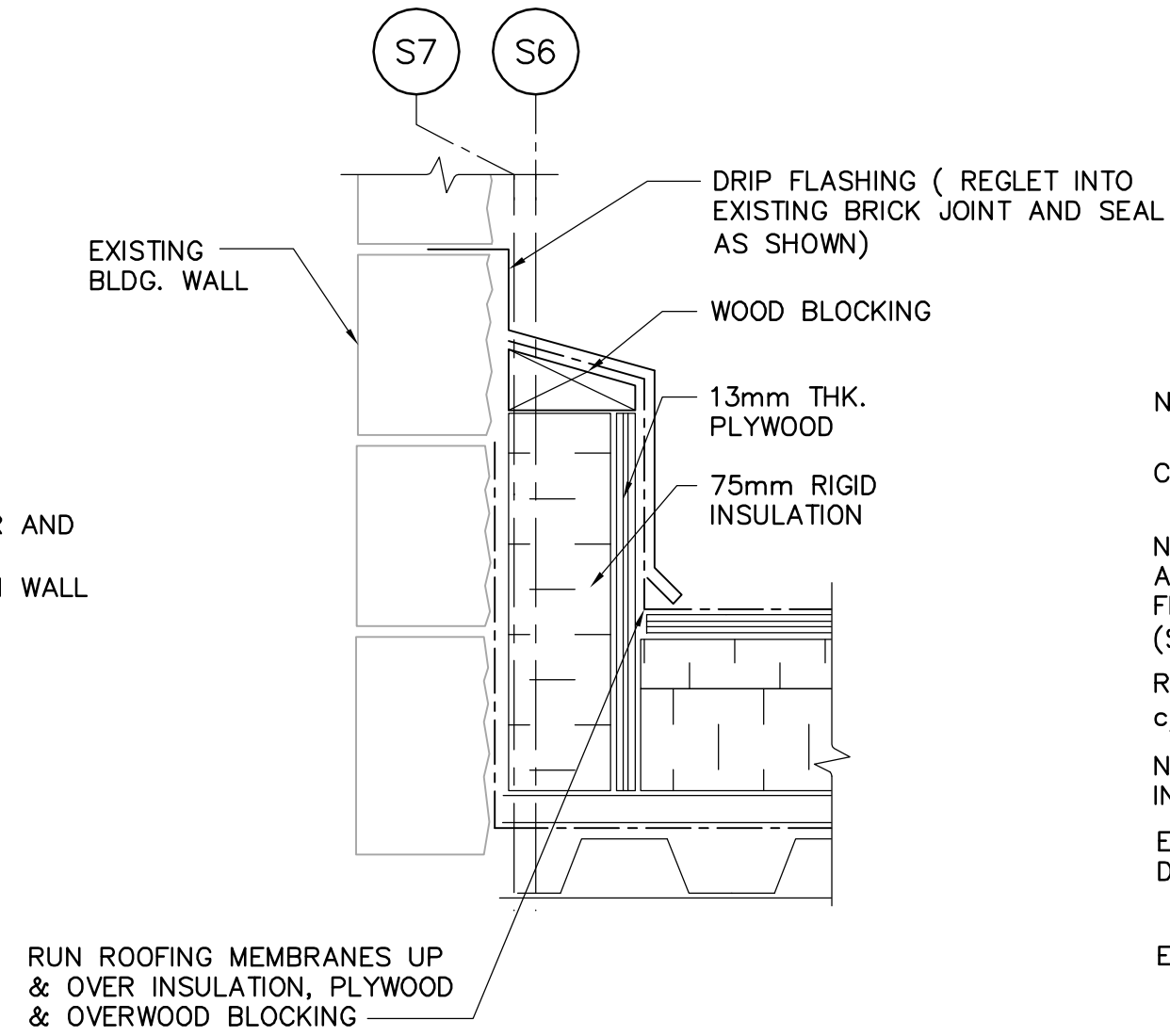
- 150mm NEW CONC. CURB (BELOW)
- 140mm CONC. BLOCK BACK-UP (PAINTED)
- AIR/VAPOUR BARRIER (AVB-1)
- 75mm (TYPE 4) RIGID INSUL.
- 25mm AIRSPACE
- 90mm SPLIT FACE BLOCK



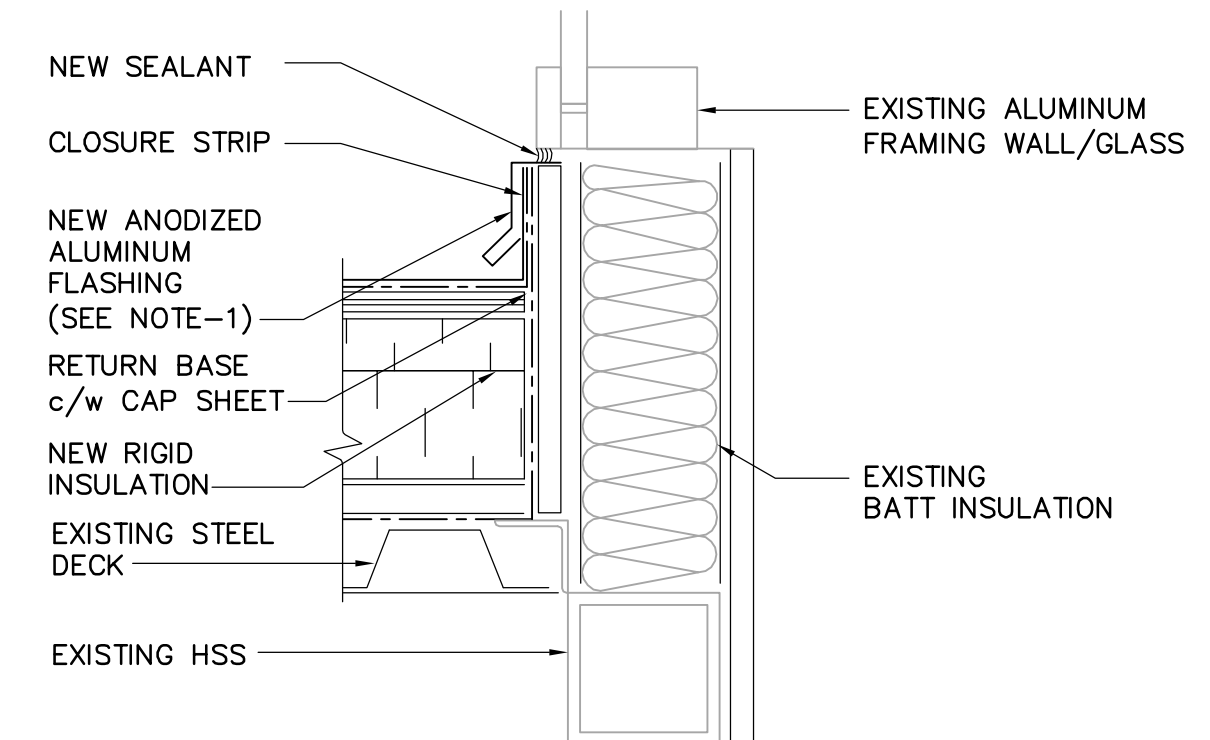
**A DETAIL**  
SA9.01 SCALE 1:50



**B DETAIL**  
SA9.01 SCALE 1:50

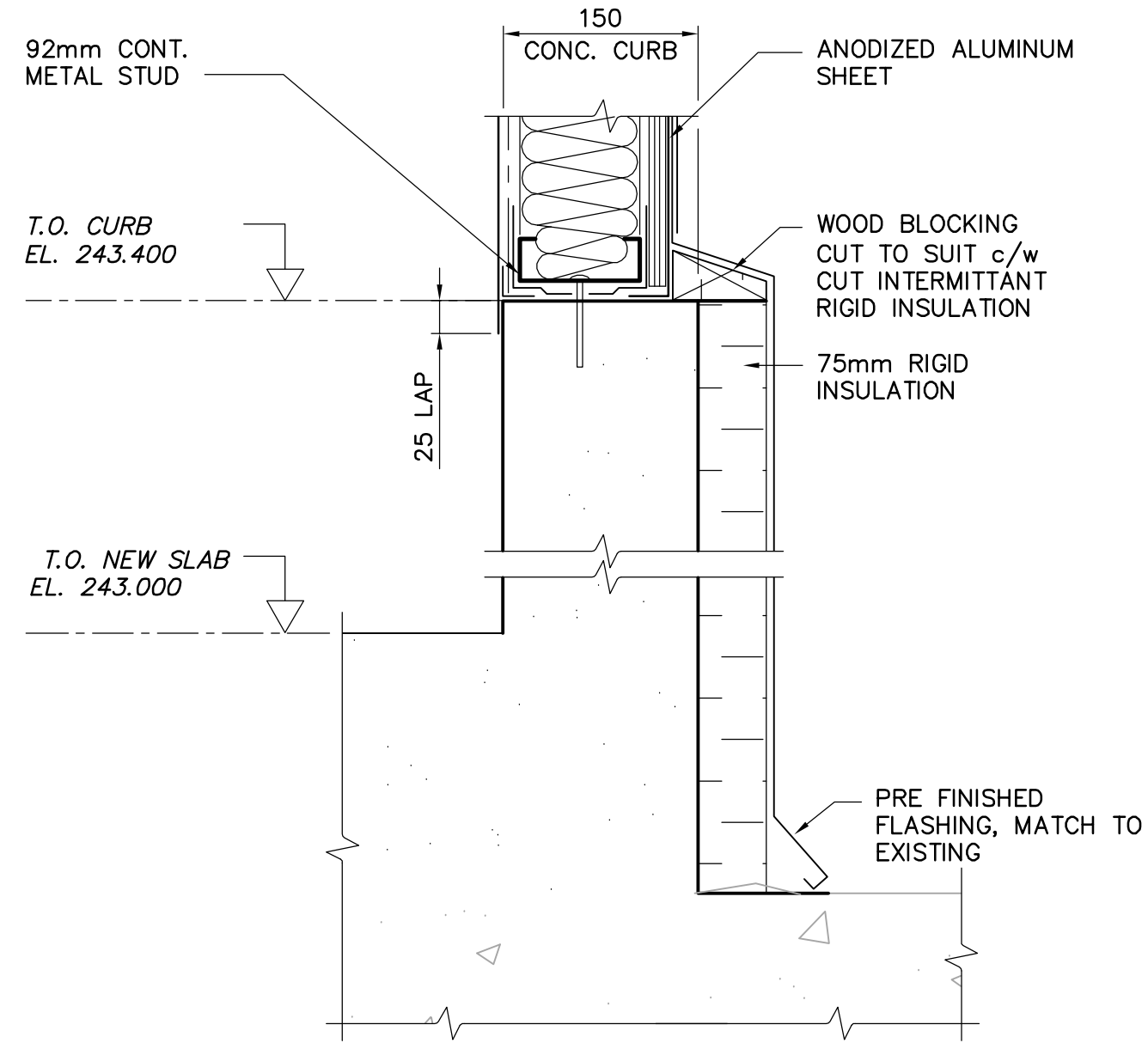


**C DETAIL**  
SA9.01 SCALE 1:50

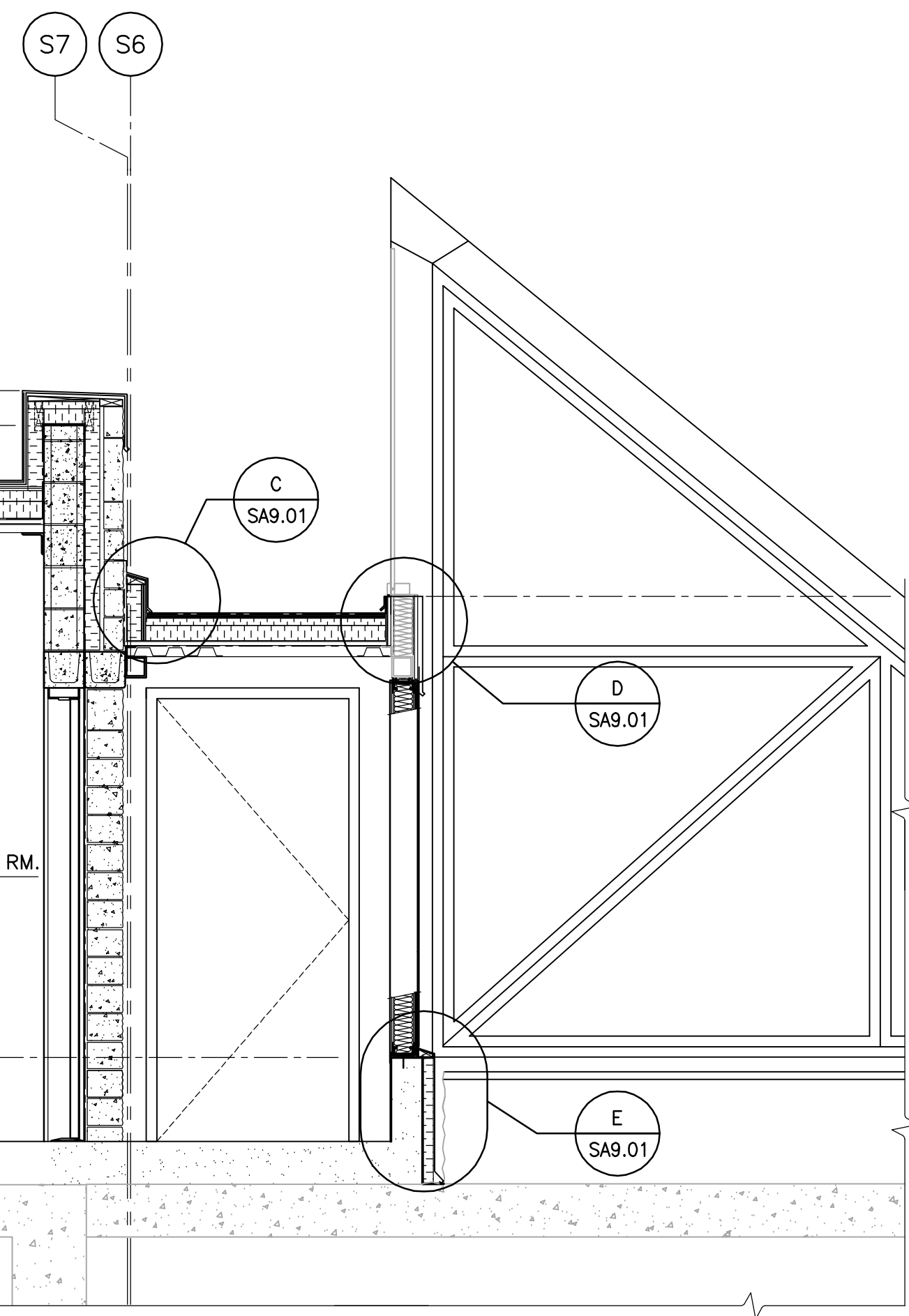


**D DETAIL**  
SA9.01 SCALE 1:50

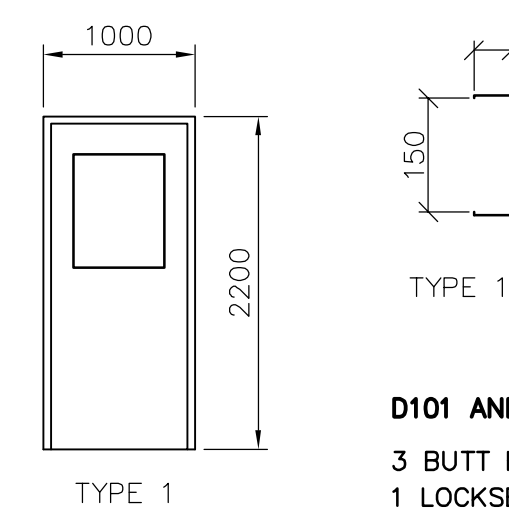
NOTE:  
1. REMOVE, MODIFY AND REPLACE EXISTING ANODIZED ALUMINUM CURTAIN WALL FRAMING TO SUIT NEW CONSTRUCTION.



**E DETAIL**  
SA9.01 SCALE 1:50



**2 SECTION**  
SA9.01 SCALE 1:25



**D101 AND D102**

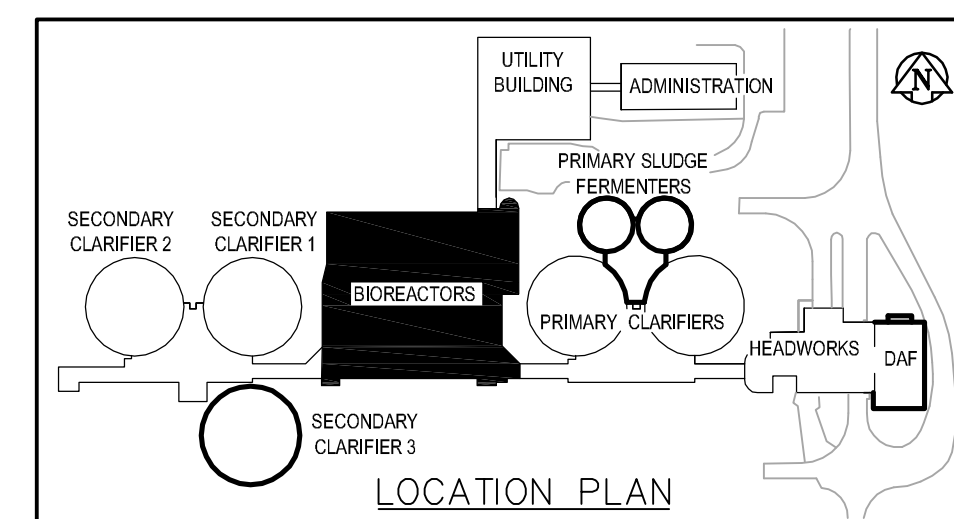
3 BUTT HINGES	TA 314 115x100mm NRP	McKINNEY	26D
1 LOCKSET	AU5402 x ASA	YALE (W/CONST CYLINDER)	26D
1 WALL STOP	S122	STANDARD METAL	26D
1 CLOSER	4040	LCN	689

**DOOR SCHEDULE**

DOOR NO.	TO ROOM	DOOR				FRAME				HWD	FIRE RATING	GRILLES	COMMENTS			
		SIZE	SWING	TYPE	MAT	MAT	TYPE	FINISH	GROUP							
D101	ELECTRICAL	45x900x2150	RH	1	HM	HC	PT	A	1	HM	WLD	PT	A	1	N/A	TRANSFER GRILL
D102	VESTIBULE	45x900x2150	LH	1	HM	HC	PT	A	1	HM	WLD	PT	A	1	N/A	N/A

**FINISH SCHEDULE**

ROOM NO.	ROOM NAME	FLOORING		WALLS								CEILING			COMMENTS							
		BASE	NORTH	EAST	SOUTH	WEST	CEILING															
		MAT	COLOUR	MAT	COLOUR	MAT	COLOUR	MAT	COLOUR	MAT	COLOUR	MAT	COLOUR	HGT		AFF						
100	ELECTRICAL ROOM	EPOXY	A	EPXY	CGV	A	EXISTING	FINISHED	CB	PT	C	CB	PT	C	CB	PT	C	METAL	PT	BLACK	VARIES	
101	VESTIBULE	EPOXY	A	EPXY	CGV	A	ALUM	ANOD	C	ALUM	ANOD	C	CB	PT	C	CB	PT	C	METAL	PT	BLACK	VARIES



**EarthTech**  
A Tyco International Ltd. Company

DESIGNED BY: GGP  
CHECKED BY: NC  
DRAWN BY: GGP  
APPROVED BY: JEH

HOR. SCALE: AS NOTED  
VERTICAL SCALE: AS NOTED  
RELEASED FOR CONSTRUCTION BY: J. VEILLEUX

DATE: 2005/12/27  
DATE: 2006/04/26

ENGINEER'S SEAL  
ORIGINAL SIGNED BY: N. COOPER  
DATE: 2006/04/26

**THE CITY OF WINNIPEG**  
WATER AND WASTE DEPARTMENT  
ENGINEERING DIVISION

**WEWPC**  
BIOLOGICAL NUTRIENT REMOVAL UPGRADE  
CONTRACT No. 3

ARCHITECTURAL  
AREA S - BIOREACTORS  
ELECTRICAL ROOM DETAILS, SECTION & SCHEDULES

CITY FILE NUMBER  
SHEET 5 OF 5  
CITY DRAWING NUMBER