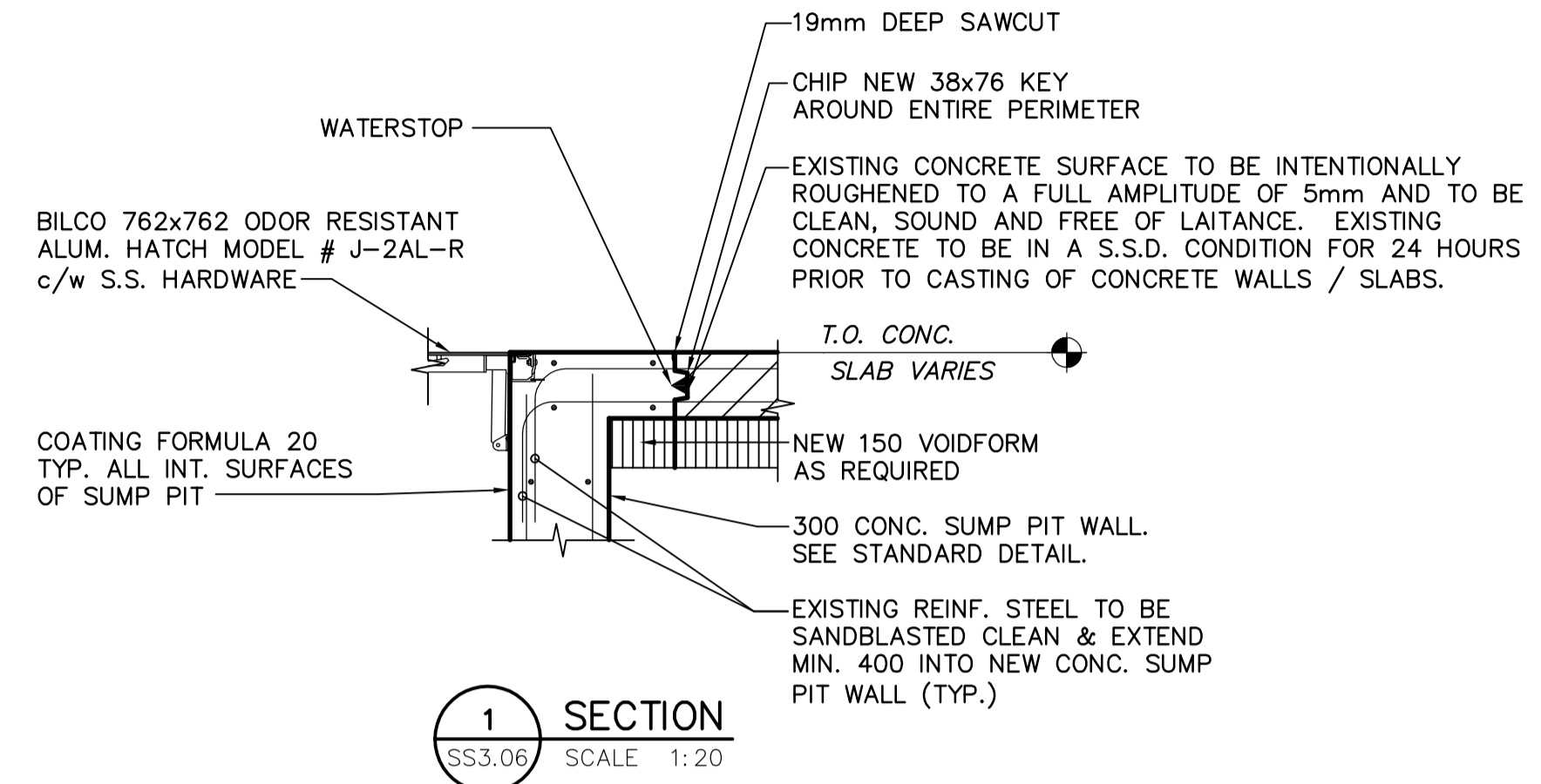
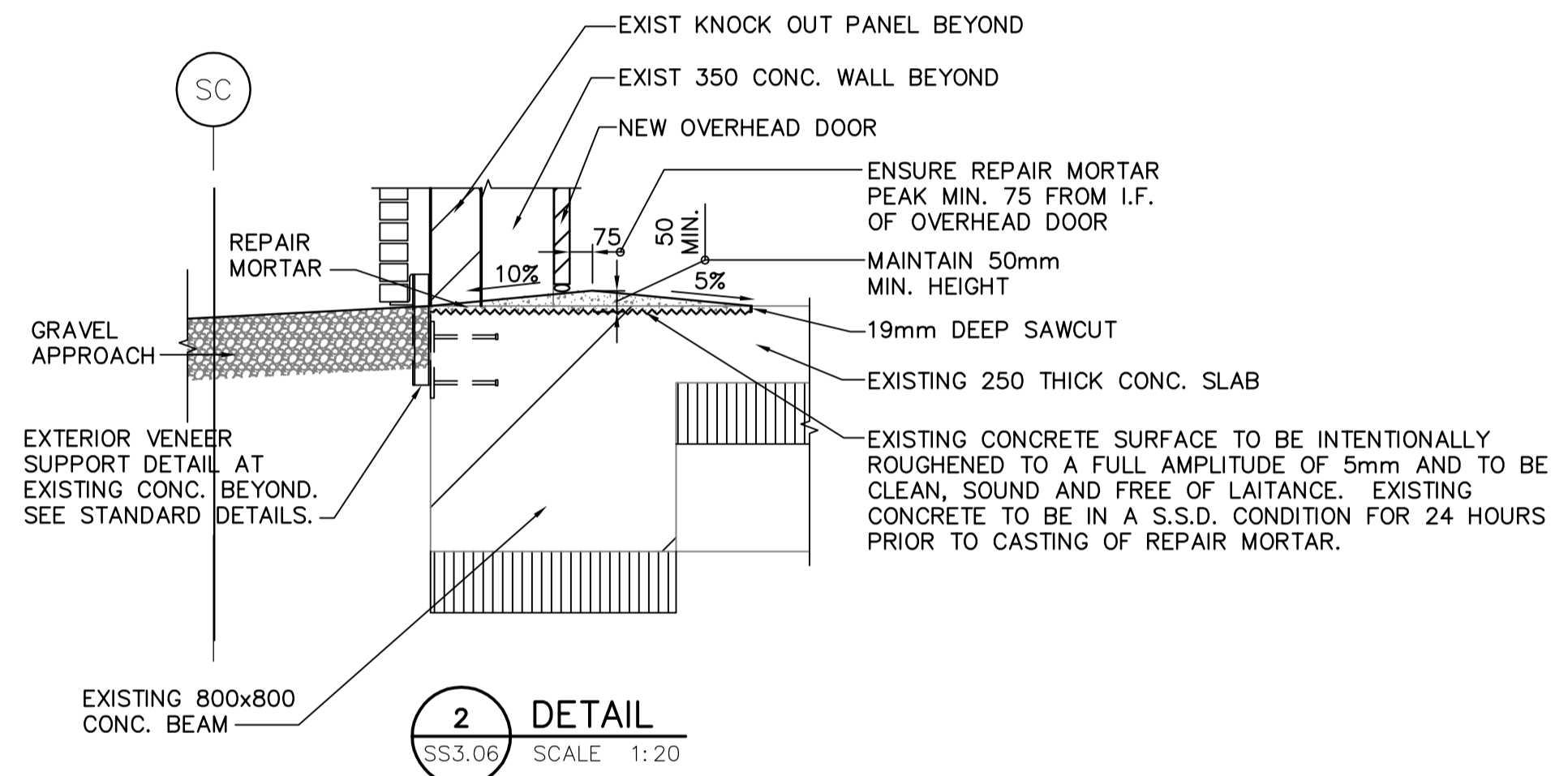


**6 SUMP PIT PLAN**  
SS2.02 SCALE 1:20

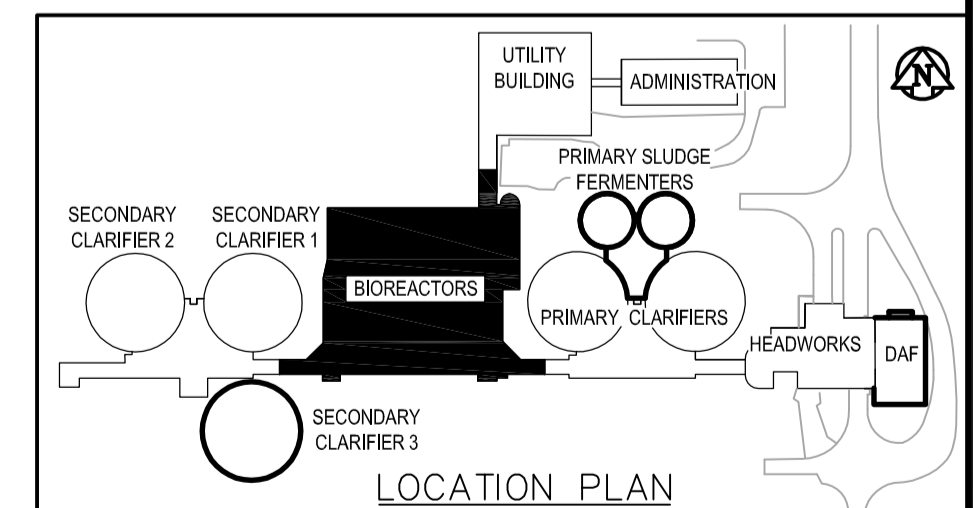
NOTE:  
1. SHORE EXIST. CONC. AS REQUIRED.



**1 SECTION**  
SS3.06 SCALE 1:20



**2 DETAIL**  
SS3.06 SCALE 1:20



**APEGM**  
Certificate of Authorization  
Earth Tech Canada Inc.  
No. 730 Expiry: April 30, 2006

<p><b>EarthTech</b> A Tyco International Ltd. Company</p>		ENGINEER'S SEAL  ORIGINAL SIGNED BY J. BETKE 2006/04/26  CONSULTANT DRAWING NO. SS3.06	
DESIGNED BY: AA/JB	CHECKED BY: AA/JB	DRAWN BY: KK	APPROVED BY: JEH
HOR. SCALE: AS NOTED		RELEASED FOR CONSTRUCTION BY: J. VEILLEUX	
VERTICAL SCALE:		DATE: 2006/04/20	
NO. REVISIONS	DATE	BY	DATE
01	21-2006 ADDENDUM 3	06/05/19	SRP
00	ISSUED FOR TENDER	06/04/26	KK

**THE CITY OF WINNIPEG**  
WATER AND WASTE DEPARTMENT  
ENGINEERING DIVISION

**WEWPC**  
BIOLOGICAL NUTRIENT REMOVAL UPGRADE  
CONTRACT 3

STRUCTURAL  
AREA S - BIOREACTORS  
DETAILS & SECTIONS

CITY FILE NUMBER  
SHEET OF  
CITY DRAWING NUMBER